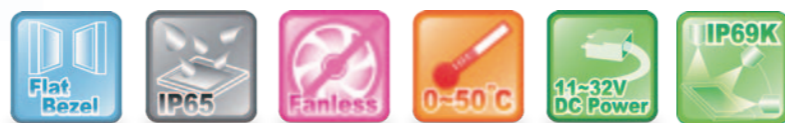




Features

- Fanless and Low Power Consumption Stainless Steel Panel PC
- Intel® Atom™ Processor D2550(1M Cache, 1.8GHz)
- Onboard 2GB DDR3, option 4G for 15"
- Onboard 4GB DDR3 for 17"/19"
- 11~32V DC wide-ranging power input
- M12 I/O Connector
- Full Flat bezel Design, Total 6 sides IP65/ IP69K
- Projective capacitive touch/ Resistive Type



Specifications

System

Processor	Intel Atom Processor D2550 (1M Cache, 1.8 GHz)
System Chipset	Intel NM10 Express
System Memory	Onboard DDR3 2GB (Default), option 4G for 15"
Power Consumption	19.5W

IO Port

USB	1 x M12 8pin for USB 1/2 1 x M12 8pin for USB 3/4
Serial/Parallel	1 x M12 8pin for COM 1/RS-232/422/485 (Default RS-232) 1 x M12 8pin for COM 2/RS-232
Audio	None
Graph	None
LAN	1 x M12 8pin for LAN 1
Digital I/O	None
Power	1 x M12 3pin DC power connector

Storage Space

HDD	1 x 2.5" SATA HDD or SSD
Movable device	1 x Internal SD Card slot on board

Expansion

On board expansion bus	1 x Mini PCIe half size slot
Expansion slot	None

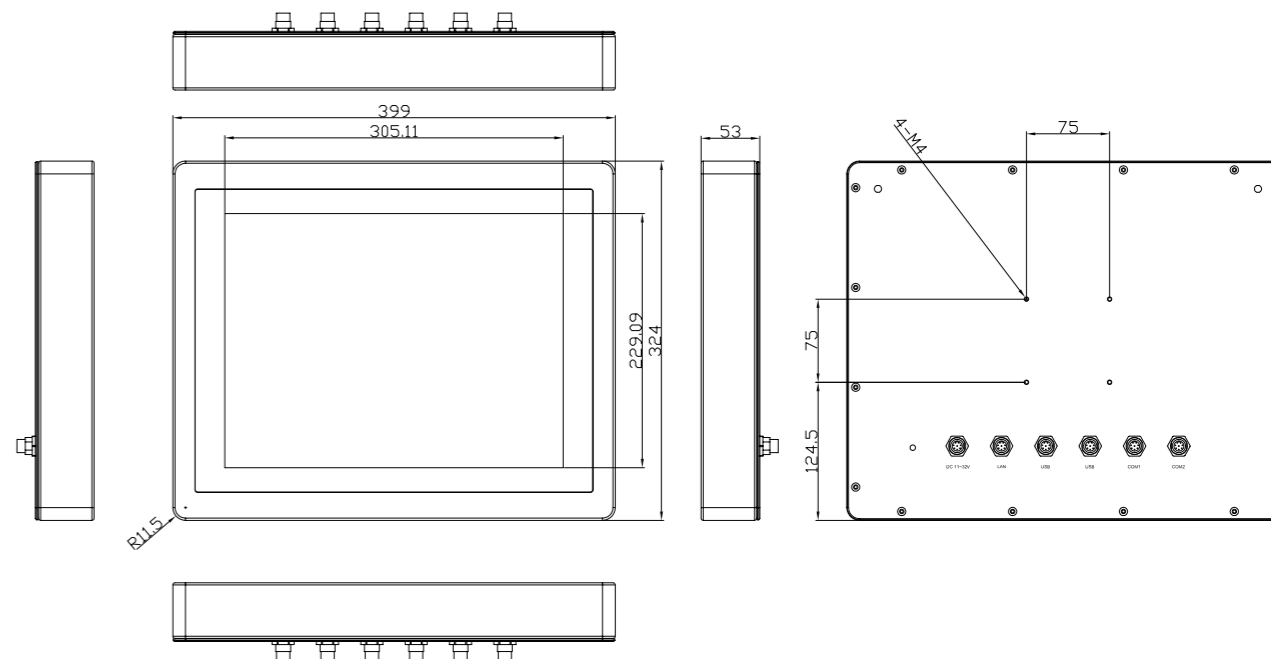
Display

Display Type	15" TFT-LCD
Max. Resolution	1024 x 768
Max. Color	262K
Luminance (cd/m ²)	400
View Angle	H: 160/V: 160

Touch Screen (for APC-3X93P)

Type	Projective Capacitive
Interface	USB
Light transmission (%)	90%

Dimensions



Touch Screen (for APC-3X93R)

Type	Resistive touch window
Interface	Default RS-232
Light transmission (%)	80%

Power

Power input	11~32V DC
-------------	-----------

Mechanical

Construction	Satinless steel
IP Rating	IP65 / IP69K
Mounting	VESA 75 x 75
Dimension	399 x 324 x 53 mm
Net Weight	6.5 Kgs

Environmental

Operating temperature(°C)	0~50(with HDD)
Storage temperature(°C)	-20~60 (with Industrial SSD)
Storage humidity	-30~70
Certification	10 to 90% @ 40°C, non- condensing CE/FCC class A

Operating System Support

Microsoft Windows 7 pro for embedded, Windows embedded standard 7

Ordering Information

APC-3593P-01	15" XGA IP65/IP69K full flat bezel design stainless steel panel PC , Intel ATOM D2550 1.8G processor, DDR3 2G on board, 2.5" SATA 2 320GB Industrial HDD, with projective capacitive touch, 11~32V DC power input with Adaptor, stainless steel enclosure
APC-3593R-01	15" XGA IP65/IP69K full flat bezel design stainless steel panel PC , Intel ATOM D2550 1.8G processor, DDR3 2G on board, 2.5" SATA 2 320GB Industrial HDD, with RES. Touch Window, 11~32V DC power input with Adaptor, stainless steel enclosure

