



Features

- ARM Based HMI
- Fanless design
- Flat front panel touch screen
- TI- AM3354, ARM® Cortex™ A8 processor
- Onboard 512MB up to 1GB DDR3 DRAM
- Onboard 512MB up to 1GB NAND Flash
- DC 9~36V wide-ranging power input
- LED backlight LCD
- Resistive touch window/Projected capacitive touch

Specifications

System	
CPU	TI-AM3354, ARM® Cortex® A8 up to 1GHz
Main Board	SBC-7109
System Memory	Onboard 512MB up to 1GB DDR3 DRAM

External IO Port	
USB	2 x USB 2.0 (type A)
Serial/Parallel	1 x RS-232/RS-422/RS-485 (COM1), DB-9 connector, Default RS-232 1 x RS-232/RS-422/RS-485 (COM2), DB-9 connector, Default RS-232 (optional)
Audio	1 x Line out audio jack
LAN	1 x LAN Port support POE(PD)(Module for optional)(24W)
Power	1 x 9~36V DC Power input via 1 x 3 pin Terminal Block 1 x 2-pin power switch
Option	TB-549CAN1 WIFI via Mini-PCle 3G Module via Mini-PCle

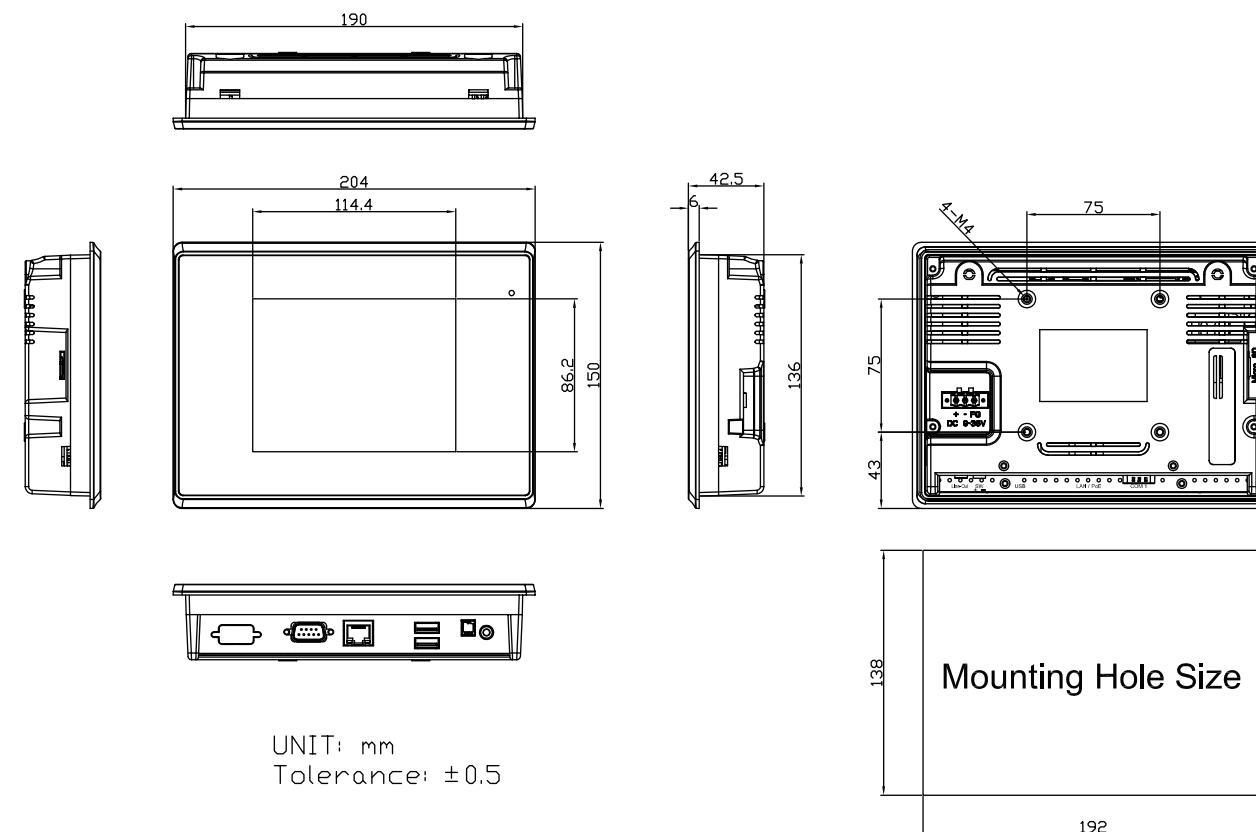
Internal IO Port	
Internal IO Port	1 x SIM card slot 1 x Micro SD slot

Storage Space	
Storage	Onboard 512MB up to 1GB NAND Flash

Expansion	
On board expansion bus	1 x Mini PCIe slot (full size)

Display	
Display Type	5.6" TFT-LCD
Max. Resolution	640 x 480
Max. Color	262K
Luminance (cd/m ²)	350
Viewing Angle (H°/V°)	140 (H) / 120 (V)
Contrast Ratio	500: 1
Backlight Lifetime	20,000 hrs

Dimensions



Touch screen-Resistive Touch Screen

Interface	RS-232
Light Transmission(%)	Over 80%

Touch screen-Projected Capacitive Touch Screen

Interface	USB
Light Transmission(%)	Over 90%

Power

Power Input	9~36V DC
-------------	----------

Mechanical

Front Bezel	Plastic / Panel Mount
Rear Bezel	Plastic / VESA 75 x 75
Dimensions (WxHxD)	204mm x 150mm x 42.5mm

Environmental

Operating Temperature	0~50°C
Storage Temperature	-20~60°C
Storage Humidity	10 to 90%@ 40°C, non-condensing
Certificate	CE / FCC Class A

Operating System Support

Windows Embedded Compact 7, Linux 3.2 QT 4.8.5

