



Smart

Industry Enabler

2020

Industrial PCs Product Guide



- Stainless Steel PPC ▶
- Industrial Panel PC ▶
- HMI Controller ▶
- Box PC ▶
- Machine Vision System ▶
- Industrial Display Monitor ▶



About APLEX

APLEX Technology Inc. was founded in 2004. Committed to the development and manufacturing of industrial computer products, the company has aggressively launched into developments so that it can stay ahead of the competition in design and master the trends and pulse of the entire industry. APLEX offers a variety of competitive solutions for system integrator clients or applications, including industrial panel PCs, human-machine interfaces (HMI), industrial display monitors, embedded Box PCs, and other related products. Standard products, customized products or OEM/ODM project services are all made available to meet the special needs of clients. Applications cover factory automation, transportation, retail, hospitality, environmental monitoring, warehousing, medical, health care, etc.

APLEX pursues excellence making breakthroughs and innovations. Since its founding, the company has captured clients' attention with its unique designs, excellent quality assurance and sound after-sales service. By steadily and progressively building up experience, we hope to gain clients' trust with the highest quality and most complete service. Let's go hand in hand to create a win-win situation!

APLEX ADVANTAGE

1. A Full Spectrum of IPC Products

The system products consist of stainless steel panel PC, industrial Panel PCs, HMI, embedded BOX PCs, and industrial Displays. Meanwhile, APLEX is also focusing on boards designs and manufacturing in China. By providing a complete industrial products, APLEX is dedicated to satisfying customers' needs.

2. A Broad of range Applications

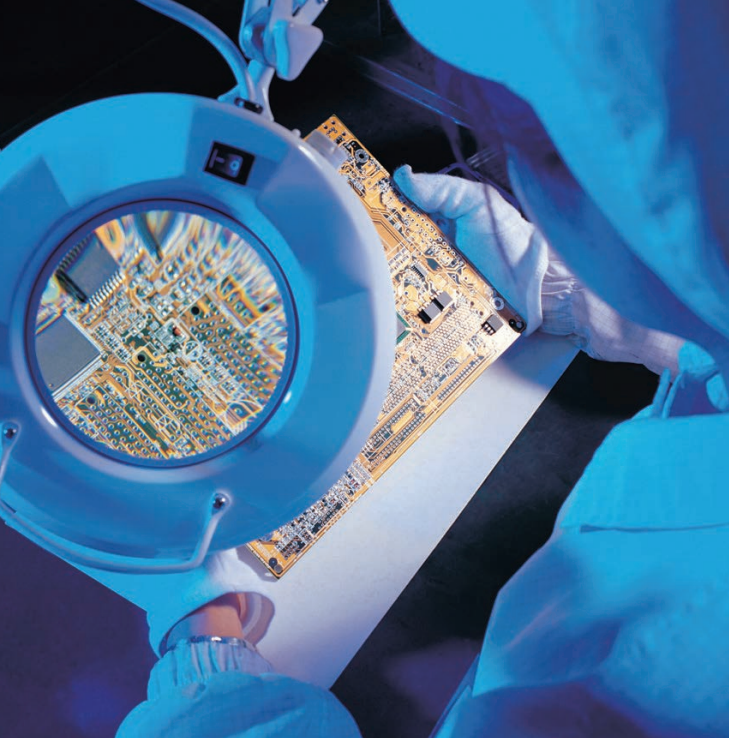
Applications cover factory automation, transportation, retail, hospitality, warehousing, medical, and vertical applications include hazardous, marine, fleet management and railway and so on.

3. Elite Staff and Sophisticated Equipment

With more than a decade of experiencing in IPC industry, APLEX R&D members are committee to designing and making innovation products. APLEX set up R&D lab in order to fulfill hardware engineers to examine products and ensure their functionalities.

4. Time to Market

APLEX has implemented NPDP (New Product Development Process) system since 2012 to keep projects going smoothly, and it is proven working well. A complete and efficient project management system optimizes project input and production output; as a result of making customers always satisfied.



APLEX specializes in providing the RoHS compliant products, and keeps close cooperation with the suppliers to guarantee the products accord with the European legislation on environmental issues. The RoHS compliant products on websites or datasheets will be identified by the RoHS symbol. Therefore this process will be done in full coordination with our partners and updated accordingly.

QUALITY

APLEX won ISO 9001 quality assurance in January, and 2007 and we actively support environmental protection by working with suppliers and customers. To implement effectively the quality system, a series of strict tests will be made throughout the design process, such as EMI test, vibration test and temperature test.



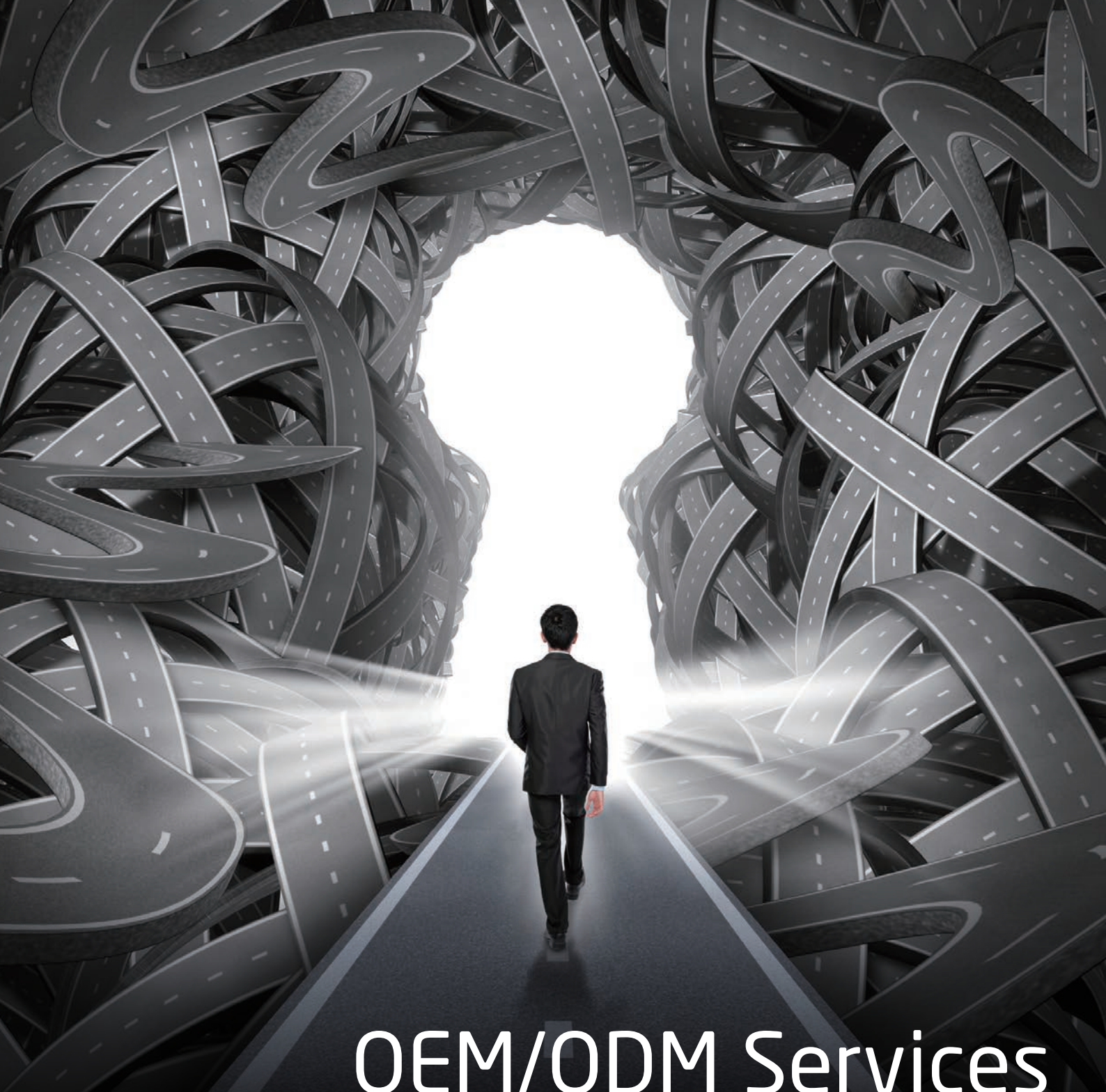
Environmental Policy

- > Product design and manufacture procedure are complying with regulations.
- > Products "Go Green" through dedicated research and development.
- > Product design and manufacture are carefully controlled to prevent environmental pollution.
- > APLEX dedicates to elevating environmental consciousness with not only full involvement of the whole company but the continuous improvement in creating eco-friendly products.

Quality Policy

- > Customer Satisfaction
- > Innovation & Creation
- > Pursue Excellence
- > Sustainable Business





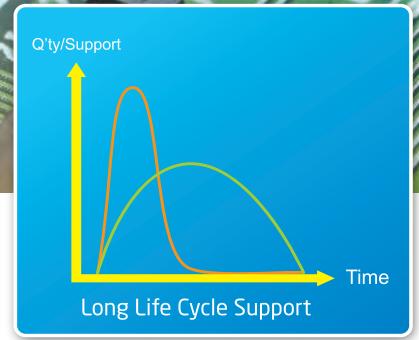
OEM/ODM Services

Apart from standard products, APLEX offers OEM/ODM services to meet customer's needs in different industries and applications. We provide tailored made products, ranging from hardware architectures including CPU Sku, LCD sizes, touch Screen, to software packages such as BIOS, firmware and drivers. Either "small quantity and great variety" or "high quality but cost effective " products, APLEX is able to fulfill and deliver the best solutions to our OEM/ODM customers.

Tailored



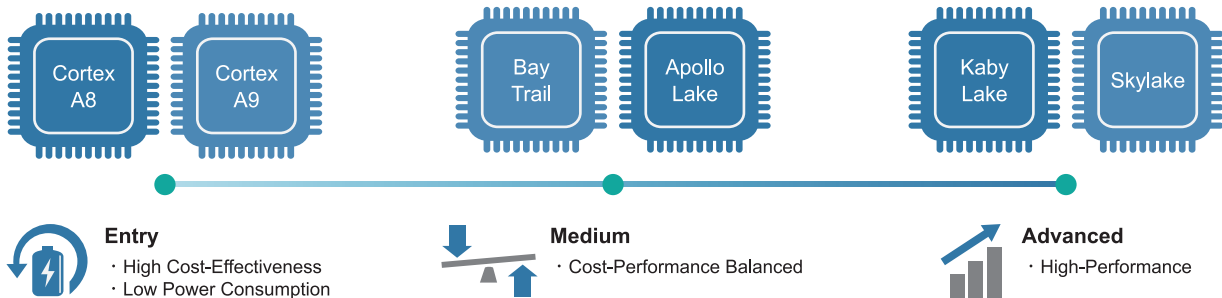
Why Embedded?



Embedded Processor Means Long Product Life Time.
Embedded Processor Provides Low Power Consumption and High Reliability.

Both embedded x86 based processors and Advanced RISC Machine(ARM) based platform are designed with power- and cost-sensitive applications. Therefore, APLEX's new generation HMI product of ARM Cortex-A9 processors offers comprehensive integration, software and hardware enablement, and one of the broadest performance ranges for ARM solutions. Moreover, ARM Cortex series processor enables advanced 3D graphics acceleration, flexible communication interfaces and robust display options. Providing our customers with various choices to meet their needs and application.

From X86 based to ARM based, APLEX offers many different solutions so that our customer may simply select one of them to adapt to their industrial and vertical applications such as factory automation, mobile and rugged device, logistic, security, transportation, cost-effective equipment, heavy-duty industry, etc.



APLEX manufactures Full Spectrum of Embedded industrial board showing equivalent performance on efficacy and costs that deliver the excellent balance solution for our embedded system.

X86 Based

Intel will provide 7-year product life time with embedded product line.

Code Name	Pine trail/Navy Pier	Cedarview	Bay trail	Apollolake	Haswell	Kabylake
Processor	D525	D2550	E3845	N4200	4th Gen. Intel Core i7	7th Gen. Intel Core i7
	N455	N2800	N2930	N3350	4th Gen. Intel Core i5	7th Gen. Intel Core i5
	N270	N2600	N2807	-	4th Gen. Intel Core i3	7th Gen. Intel Core i3

Performance → (arrow pointing right)
 ↓ Low Power Consumption (arrow pointing down)

ARM Based

- Cortex-M Series
- Cortex-R Series
- Cortex-A Series
- Cortex-A50 Series

Classic Processor Family

- ARM7 Series
- ARM9 Series
- ARM11 Series

Completed Embedded OS Support

Operation System	Windows XP	Windows 7	Windows 8	Windows 10	Linux	Android
OS Sku	Windows XP Pro XPE / POSReady 2009	Win 7 Pro / Ult WES7 / WEC7 / POSReady 7	Win Emb 8.1 Industry Pro Win Emb 8 Standard	Win 10 IoT ENT 2016 LTSB Win 10 IoT ENT 2016 CBB	Linux 3.2 Linux 4.4	Android 5.1.1 Android 6.0.1

APLEX Provides Various Touch Screen Solution in diverse product lines and sizes.

In order to fit customers' needs and make our products friendlier and more convenient when operating, APLEX supports touch screen options for not only panel PC products but also HMI and Display product lines. There are two main types of touch panel technologies in industrial PC application: resistive touch window type and projected capacitive touch screen type. Especially, APLEX develops a new technology to support flat-bezel on resistive touch instead of traditional resistive touch type.

Type	Resistive		Capacitive	
	4-Wire	5-Wire	Surface	Projected
Operate	Finger stylus/ Touch pen	Finger stylus/ Touch pen	Finger touch/ Capacitive Touch pen	Finger touch/ Capacitive Touch pen
Glove	Yes	Yes	No	No(Only medical glove)
Multi-touch	No	No	No	Yes
Hardness	3H	3H	7H	7H
Flat Bezel	Option	Option	Yes	Yes
Transmission*	over 80%	over 80%	over 90%	over 90%
Lifetime	General	Good	Good	Good

Resistive Touch Window

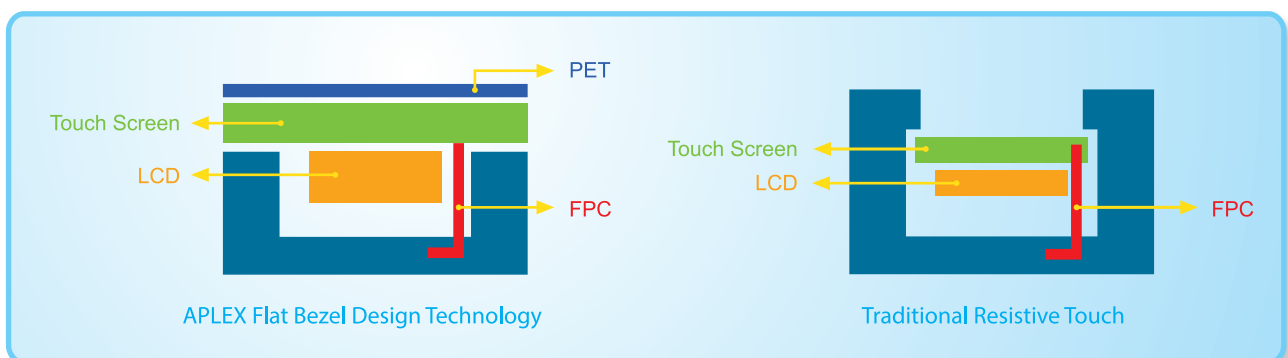
How It Works

A uniform voltage gradient is applied to one sheet. Whenever the second sheet touches the other one, the second sheet measures the voltage as a distance along the first sheet. This combination of voltage and distance provides X coordinate.

After the X coordinate is located, the process repeats itself by applying uniform voltage gradient to the second sheet in order to find the Y coordinate. This entire process happens in a matter of milliseconds, oblivious to human eye.

APLEX Flat Bezel Panel Design Technology

APLEX Flat Bezel Panel Design Technology features: no gap at front panel, panel display area 100% usable, easy to clean the front panel; no gap, dirt prevention, water accumulation. Moreover, Flat Bezel Design has a trendy housing design look.



Capacitive Touch

How it works

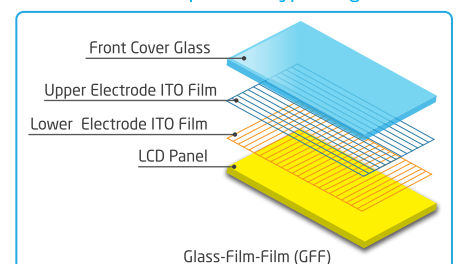
A capacitive touchscreen panel consists of an insulator such as glass, coated with a transparent conductor such as indium tin oxide (ITO). As the human body is also an electrical conductor, touching the surface of the screen results in a distortion of the screen's electrostatic field, measurable as a change in capacitance. Different technologies may be used to determine the location of the touch. The location is then sent to the controller for processing.

Unlike a resistive touchscreen, one can't use a capacitive touchscreen through most types of electrically insulating material, such as gloves. This disadvantage especially affects usability in consumer electronics, like touch tablet PCs and capacitive smartphones in cold weather. More and more, it can be overcome with a special capacitive stylus, or a special-application glove with an embroidered patch of conductive thread passing through it and contacting the user's fingertip.

The Projected Capacitive Touch (PCT) is a common solution in industrial devices because it provides advantages of high durability (long life), excellent optical performance, anti-scratch and unlimited multi-touch and meets industrial-grade users' requirements for reliability, compatibility, expansion options and long term supply.

APLEX offers an array of PCT products including panel PC, HMI and Display in order to appeal to those with less budget limits.

Out-Cell Capacitive Type Diagram





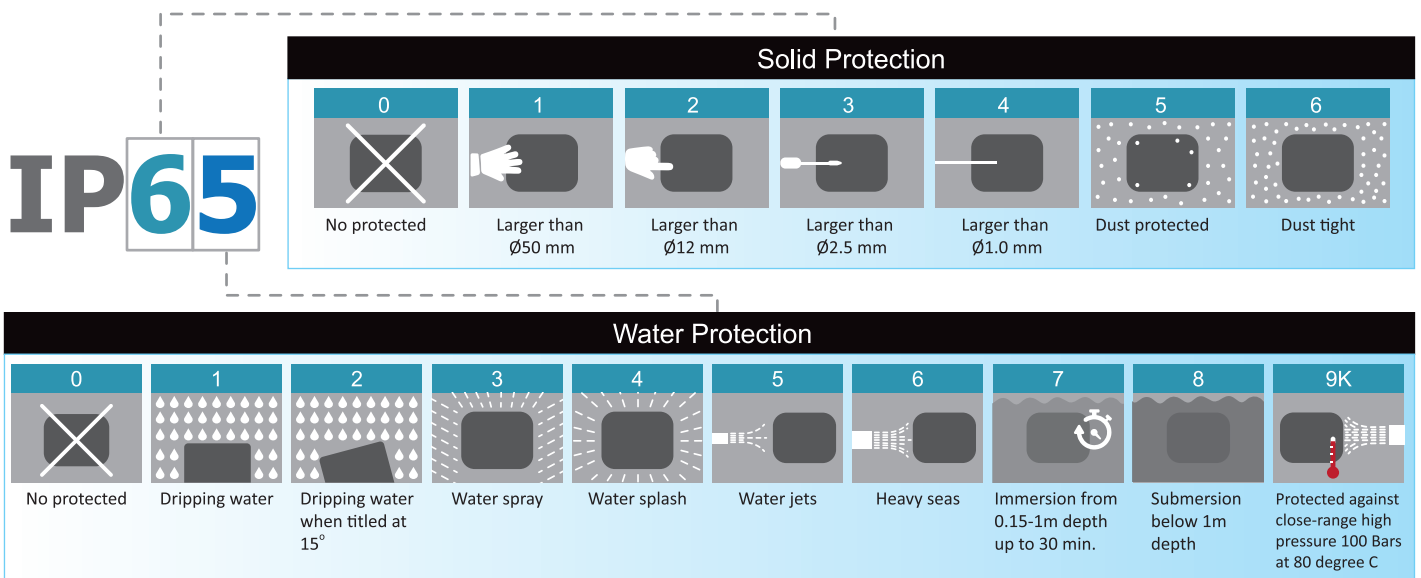
Waterproof and Dustproof Solution

- ▶ Perfect Cleanability
- ▶ Semi-outdoor Application
- ▶ Easy Maintenance

APLEX provides different IP ratings for all products that can go through many challenging circumstances.

What is IP Ratings?

The IP Rating (international Protection Rating/ Ingress Protection Rating). As defined in international standard IEC 60529. Published by the International Electrotechnical Commission (IEC), the equivalent European standard is EN 60529. The rating consists of the letters IP and followed by 2 digitals, rated on a scale from 0 to 9, this standard are used to classify the degrees of sealing effectiveness of APLEX electrical enclosures against the intrusion of solid objects, accidental contact dirt and water.



IP Rating Testing

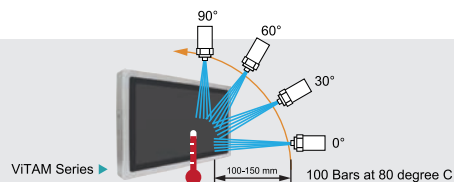
APLEX basically offers IP6X degree of solid particle protection, the most common rating in our catalog which means fully protecting the ingress of dust. According to different requirements, the IP66/IP67/IP69K rating are for our panel PC, HMI, and box PC.

In many industries, dust and dirt might be an issue, it is critical to ensure that dust cannot penetrate the casing of a product and cause it to fail. IP69K is the most protective, making products ideal for use in conditions where equipment must be carefully hygienic.

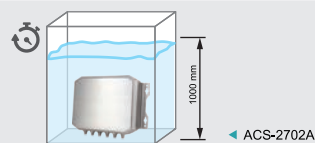
The highest Protection Available



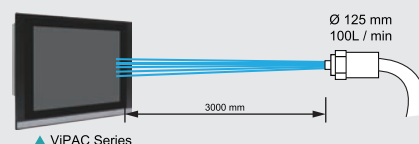
- Full-fledged protection from dust.
- Protected against close-range high pressure, high temperature spray downs.



- Full-fledged protection from dust.
- Protected against temporary immersion.

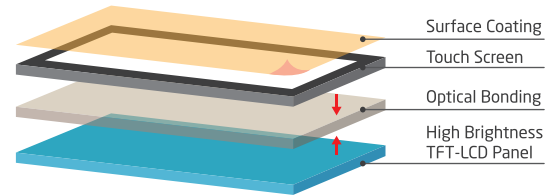


- Full-fledged protection from dust.
- Protected against multi-directional, high-pressure water jets.



Sunlight Readable Solution

APLEX supports sunlight readable solution which provides you with clarity and brilliance under any high light condition.



Now You Can See Me LED backlight LCD with high brightness up to 1000 nits

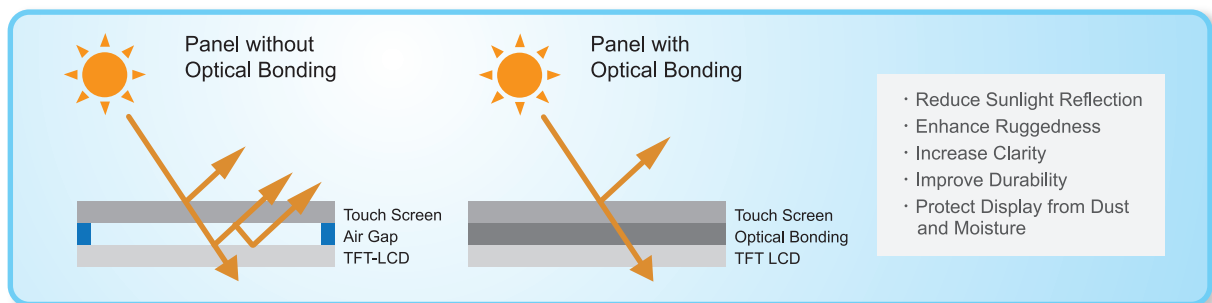
The sunlight readable solution is now more prevalent than ever before. This is because the normal screen contents become invisible under strong light condition, and could make operation error and lead to damage especially in industrial application. Therefore, APLEX offers reliable and solid rock quality displays for system integrators to use in applications where are high ambient light around. Adopted optional high brightness LCD up to 1000 nits and optical bonding that is a technology to improve display performance and increase the screen ruggedness for demanding semi-outdoor application.

- Auto-Dimming**
 Automatically adjust the brightness based on the environment factors.
- High Brightness**
 Luminance from 600 nits up to 1000 nits for semi-outdoor application.
- LED Backlight LCD**
 Greatly save the power consumption and provide the longer LCD lifetime.



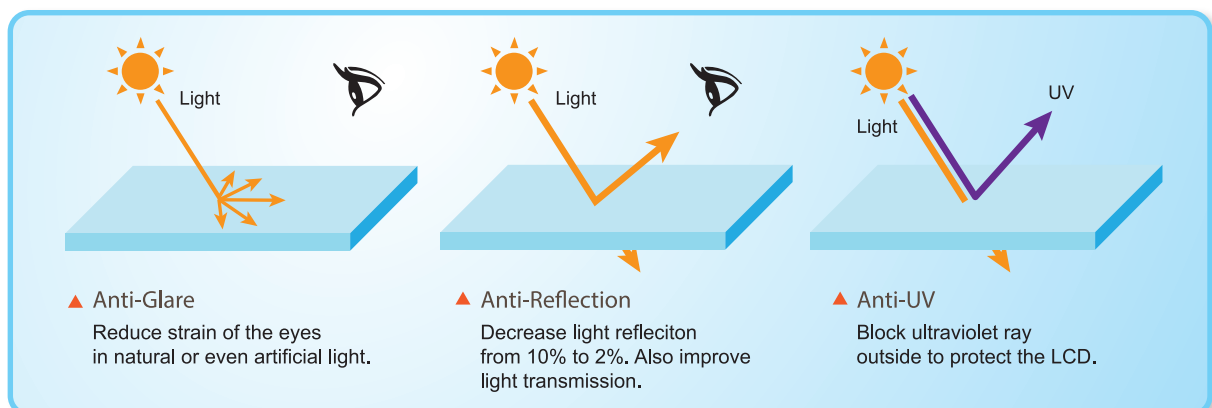
Optical Bonding

With optical bonding, a protective cover glass is directly adhered to the LCD display with a thin, uniform layer of adhesive, effectively eliminating the air gap between the cover glass and display. It perfectly reduces sunlight reflection to Increases optical clarity, as well as enhances ruggedness, protect display form dust and moisture, and is thin and lightweight. Especially, It is ideal for applications in large temp. difference environment which can prevent the glass from fogging up and enhance the clarity.



Surface Coating

APLEX provides many options for surface coating, including anti-glare, anti-reflection and anti-UV. It not only gives a user-friendly surface when users are operating our products but also protect the LCD, enhance the quality and durability of our display.



Power-over-Ethernet Solution

APLEX PoE support brings you the more convenient, flexible, low-maintenance and cost-efficient to your Industrial solution.



Less Cable, Easy Configuration



Support Large-screen up to 24" TFT-LCD



High-performance Platform HMI / Panel PC

PoE solution Benefits your Application



Installation-friendly



Cost-effectiveness



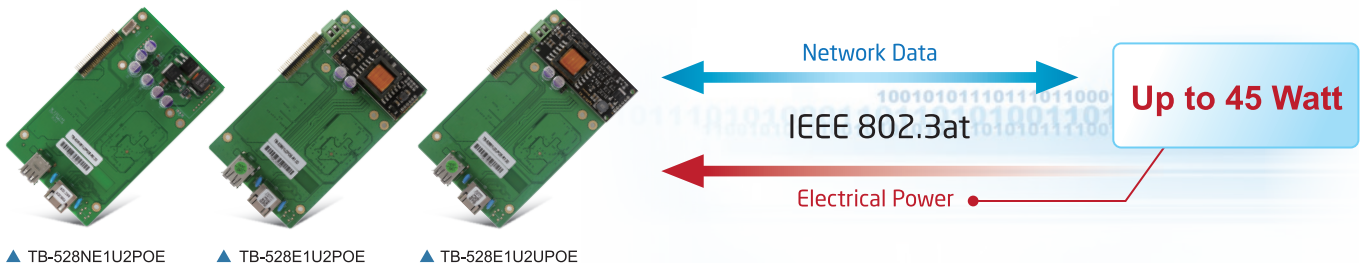
Low maintenance requirement

Through Power-over-Ethernet, power and data will travel down the same Ethernet cable. It only needs a single network cable, gives the simpler and quicker installations, even in hard-to-reach area, APLEX PoE-enabled Panel PC can be easily mounted wherever.

PoE solution gives priority to industrial application. With future needs in mind, by deploying PoE solution, many manufacturers are turning to comprehensive IIoT and Industry 4.0 era. Get a fanless design, great heat dissipation, power efficiency and long-term stability panel PC for achieving the specific requirement, providing a clear choice in industrial application.

Upgrade Path for Industry 4.0 Application

Based on APLEX PoE+ extension modules (TB-528E1U2UPOE and so on), the higher power efficiency is assured to be available up to 45 watt which is suitable for our large-screen (15-inch or greater) and from Intel Baytrail to Skylake 6th Gen. Core high-performance platform HMI/panel PC.



▲ TB-528NE1U2POE ▲ TB-528E1U2POE ▲ TB-528E1U2UPOE

PoE Card / Module	Watt	CPU supported	Size supported	Product Guide
TB-528E1U2POE TB-528NE1U2POE	25W	Harswell	12.1" / 15"	ARCHMI-9 ViTAM-9
		Baytrail	10.1" / 15.6"	ARCHMI-8 / ViTAM-8
		Apollo Lake	10.1"~21.5"	ARCHMI-8A
TB-528E1U2UPOE	45W	Harswell	15.6" / 21.5"	ARCHMI-9 / ViTAM-9
		Baytrail	17"~21.5"	ARCHMI-8
			17"~24"	ViTAM-8
		Apollo Lake	17"~21.5"	ARCHMI-8A
		Skylake	12.1" / 15"	ARCHMI-9A
AG5300	25W	TI-3354	5" / 12.1"	ARMPAC-5
		i.MX6	7"~15.6"	ARMPAC-6
			10.1"~15"	ViTAM-6



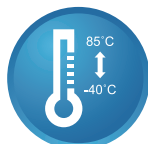
Effectively supported by our large-screen with high-performance HMI/Panel PC

The Most Reliable Motherboards Ever Cover All Your Needs

APLEX Industrial Boards are Ready for Embedded Solutions



APLEX industrial board series is designed to improve the expansibility ability and reliability. It comes with high flexibility encompass abundant I/O connectivity, expansion capability and OS supported. APLEX utilizes its exceptional ability to combine both software and hardware and expand its global market share around the world.



• Support Wide Range DC Power Input

Wide range DC power input from 9 to 36V supports a variety of applications, and it allows up to 8A current input with each pin which can be fully compatible with different power supplied environments.

• High Expansibility

Flexible expansibility with various I/O boards and riser cards provide additional functions to give your business a comprehensive application.

• Countercurrent Protection on USB ports

Avoid systems shutting down caused by the countercurrent from USB devices.

• Wide Operating Temperature

Wide operating temperature is ranging from -20 to 70°C/-40 to 85°C for option, enables the boards to be used in extreme harsh environments.

• Short Circuit Prevention

Avoid industrial boards to be damaged by the short circuit problem, keep a smooth operation and assure the safety.

Diverse Form Factors



▲ 3.5" ECX

▲ 4" EPIC

▲ Mini-ITX

▲ 5.25" EBX

▲ Core Module

APLEX provides diverse form factors from 3.5" ECX, 4" EPIC to Mini-ITX which are based on x86 and ARM platform. 3.5" ECX board provides complete I/O interface which is suitable for being applied to compact devices, such as thin client or various space-limited devices; 4" EPIC board can be expanded by rich I/O boards; Mini-ITX board can have more functionality by riser cards that provide convenient and flexible expansion ability. All of them are ideal to be applied to panel PC, box PC, HMI and many industrial applications.

APLEX also offers customized products and OEM/ODM services for all-round embedded solutions. As the global industrial computer and embedded board provider, APLEX commits to offer customers the comprehensive products and service to meet their requirements.

High-Flexible Expansion Ability



▲ Riser Card



▲ I/O Board

APLEX's industrial boards are able to be equipped with different expansion modules of riser cards and I/O boards that offer a highly flexible configuration. The expandable I/O interface and slot provide additional functions to give your business the all possible applications, becoming one of the best choice of your embedded solutions.



- A Full Spectrum of Motherboards
- A Broad Range of Industrial Applications
- OEM & ODM Experience
- Time to Market



Place All-around Features on APLEX Industrial Computer



Rugged Enclosure

APLEX's rugged design strengthens the products, giving the longer life cycle. The rugged enclosure includes SUS304/316 stainless steel, Aluminum and engineer plastic. By APLEX stainless steel solution, SUS316 features the most protective construction, serving the anti-corrosion and anti-oxidation enclosure, also it is green material with 100% recycle.



Sunlight Readable Solution

APLEX's sunlight readable solution brings the clear and brilliant visibility under high light condition. It updates the backlight LCD to high brightness (up to 1000 nits), and the brightness can be automatically adjusted. It also drives the adoption of optical bonding and surface coating, giving a user-friendly surface when users are operating. Additionally, in large temp. difference environment, optical bonding is recommended for preventing the glass from fogging up, showing the better clarity.



Thermal Technology

APLEX's thermal technology allows heat to be dissipate through conduction. Without fan design, it takes unique metal as the thermal conductivity to transfer the heat that can spontaneously flows from processor to back cover. It also enables the products to take place somewhere within -20°C-60°C such as hazardous environment. (optical bonding is also recommended in large temp. difference environment)



Wide Power Input

APLEX's wide power input enhances the voltage-carrying capability, avoiding power failure caused by voltage fluctuations. Bringing the flexibility, convenience, enhancing the stability.

APLEX guarantees the long-term product life cycle, and provides the outstanding quality. We meticulously design each detail of mechanism with innovative technology, giving many solutions that meet different requirements to overcome difficulties. Here are few features that APLEX places importance on.



Control Panel Design

APLEX's control panel design is comprised of multi-touch screen and flat front panel with our excellent panel adhesive technology. The resistive or capacitive touch can perfectly adheres to the LCD, it shows a truly-flat front panel, and prevents the dust and water accumulation.



Waterproof and Dustproof Solution

APLEX's water- and dustproof solution gives the most protective standard, the IP rating, which is based on International standard IEC 60529. APLEX IP66/67/69K rated industrial computers including Panel PC, HMI, Box PC are available for different applications.



Quality Assurance

APLEX passes different certificates for extending the different applications. In addition to ISO-9000/14001, CE/FCC/UL/RoHs safety certificate, MIL810F/IEC60068-2-27 for logisitic managemant; DIN EN 1672-2 and NSF/ANSI/3-A, FDA 21 CFR Part 11 and ANSI/ASME B46.1 for food and beverage industry; ATEX Zone 2/IECEX/C1D2 for oil and gas industry.

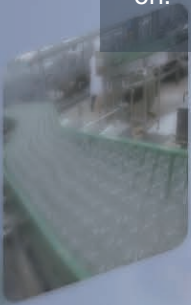


OS Support

APLEX has completed Embedded OS support including windows, Linux and Android for both x86 and ARM based system.

APPLICATION

APLEX's product portfolio includes human machine interface (HMI), Industrial Panel PC, Embedded BOX PC, Industrial, etc. They are applied to equipment automation, factory management, monitoring systems, and even automation in daily life. Moreover, APLEX product categories cover logistic management systems, intelligent transportation management systems, building automation and monitoring systems, kiosk systems, etc. We provide a wide range of applications from common factory production, commercial automation, transportation, railway, marine to medicine, and so on.





APPLICATION

The vertical market is a market in which vendors offer goods / services specific to an industry. In industrial PCs industry, it refers to specific applications such as factory automation, transportation, medication, hazardous, logistics , smart buildings, surveillance/security, military, and so on. APLEX provides related hardware platforms and complete services and solutions to meet customers' needs in different industries and applications.



Industrial Computing Highlights



▶ ATEx Certified Solution

Features



> AEx-9XXAP

- 6th Gen. Intel Core i3/i5 Processors
- 1 x SO-DIMM DDR4 slot

> AEx-8XXP

- Intel Celeron N2930 Processor
- Onboard 4GB DDR3L Memory, 8GB for Option

> AEx-1XXP

- True Flat Front Bezel Design
- Total IP66 Waterproof with M12 Connectors

> AEx-2410 / AEx-2411

- Intel Celeron N2930 Processor (ACS-2410)
- 6th Gen. Intel Core i3/i5 Processors (ACS-2411)



AEx-2410/2411
P. 224

AEx-9XXAP/8XXP
P. 59-64



▶ Stainless Steel Panel Solution

Features



> ViTAM-9XXA

- 6th Gen. Intel Core i3/i5 Processors
- Onboard 4GB DDR3L Memory, 8GB for Option

> ViTAM-9XX

- 4th Gen. Intel Core i3/i5 Processors
- Onboard 4GB DDR3L Memory, 8GB for Option

> ViTAM-8XX

- Intel Celeron N2930 Processor
- Onboard 4GB DDR3L Memory, 8GB for Option

> ViTAM-1XX

- True Flat Front Bezel Design
- Grade 304 Stainless Steel Enclosure (Grade 316 for Option)



ViTAM-1XX
P. 265

ViTAM-9XXA
P. 25-50



▶ Industrial Panel PC

Features

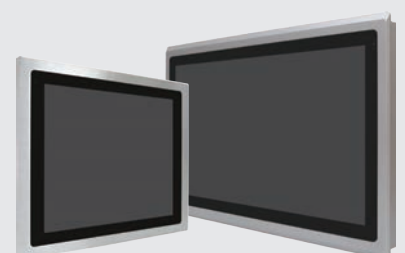


> ViPAC Series

- Intel Celeron N2930 Processor/ 6th/7th Gen. Intel Core i3/i5/i7 Processors
- 2 x DDR3L SO-DIMM up to 8GB
- 2 x DDR4 SO-DIMM up to 32GB
- Support PCT/RTW/AR Glass with Aluminum IP66 Front Bezel
- Modular Concept with Fan/Fanless Design

> FABS Series

- Intel Celeron N2930 Processor
- Onboard 4GB DDR3L Memory
- SUS304 Stainless Steel Front Bezel (SUS316 for Option)
- Safety and Hygienic-Designed



FABS Series
P. 188-194

ViPAC Series
P. 95-99

ANALYSIS



▶ Marine Application Panel PC

Features

▶ APC-3X20

- 4th Gen. Intel i3/i5/i7 Processors
- Designed under CE / FCC Class A , DNV Standard, IEC 60945
- Aluminum Housing
- AR Touch Screen (AR Protection Glass for Option)
- Brightness Control From 0%~100%
- Isolated Wide Range DC 9~36V Power Input



▶ Factory Automation HMI

Features

▶ ARCHMI Series

- Intel N2600 / D2550 / E3845 / N2930 / Intel Core i3 Processors
- Support Resistive Touch and PCT from 7"~32"
- Build in DDR3(L) 4GB/8GB Memory
- Wide Range DC 9~36V Power Input

▶ ARMPAC Series

- TI-AM3354, ARM Cortex A8 Processor
- Fanless Flat Front Panel Touch Screen
- Onboard 512MB up to 1GB DDR3 DRAM
- Onboard 512MB up to 1GB NAND Flash



▶ Embedded Box PC

Features

▶ AVS-300 / AVS-310 / AVS-313

- Intel Celeron J1900 Processor
- 1 x 204-pin DDR3L SO-DIMM Memory
- 1 x 2.5" SATA2 HDD Space
- 2 x PoE ports with Intel GT210AT Controller

▶ AVS-500 / AVS-502 / AVS-504

- 7th Gen. Intel Core i3/i5/i7 Processors
- 2 x 260-pin DDR4 SO-DIMM Memory
- 2 x Expansion Slots for Add-on Card
- Wide Range DC 9~36V Power Input



APC-3X20
P. 104



ARCHMI Series
P. 135-162

ARMPAC Series
P. 173-180



AVS Series
P. 249-260

Table of Contents

Index 2020



Stainless Steel PPC

ViTAM-9XXA	25
ViTAM-9XX	33
ViTAM-8XX	40
ViTAM-6XX	50
AEX-9XXAP	59
AEX-8XXP	64
AEX-P526	69
APC-3X95	73
APC-3X94	79
APC-3X84	86

Industrial Panel PC

ViPAC-9XX	95
ViPAC-8XX	99
APC-3X20	104
APC-3XX9A	108
APC-3X19A	111
APC-3082	119
APC-3072	122
OPC-5XX8	125

HMI

ARCHMI-9XXA	135
ARCHMI-9XX	144
ARCHMI-8XXA	152
ARCHMI-8XX	162
ARMPAC-6XXP	173
ARMPAC-5XXP	180
FABS-9XXAPG(H)	188
FABS-8XXPG(H)	194

Embedded Box PC

ACS-2332	206
ACS-2330	209
ACS-2320/2320A	212
ACS-2312	215
ACS-2311	218
ACS-2310	221
AEX-2410/2411	224
ACS-2180	229
ACS-2170	232
ACS-2160	235
ACS-2702A	238
ACS-2563	242

Machine Vision System

AVS-500	249
AVS-300	254
AVS-310	257
AVS-313	260

Industrial Display

ViTAM-1XX	265
AEX-1XXP	275
ARCDIS-1XXAP	280
FABS-1XXP	289
ADP-1XX0A	299
ADP-1XX4	304
ADP-1122A	308
ADP-1XX8P	311
OPD-1XX6	315

Accessory

Power Supply	318
Converter Board	319
Memory and Stand	320
Flash/SSD	321



Stainless Steel Panel PC

ViTAM/AEx Product Line



Considering the most protective standard, stainless steel is the first option due to its good corrosion, heat and impact resistance, it has the high degree of hardness and low maintenance cost. APLEX provides the products with long-term lifecycle for different applications that can be used in extremely harsh environments.

APLEX's stainless steel panel PC product line is both aesthetic and functional; the stainless steel construction, fully IP66/69K water-and dust-proof protection with the flat front panel and projected capacitive multi-touch technology, which is suitable for applications that required highly durable, stiff and sanitary demands.

APLEX is the technology leader in the field of developing stainless steel panel PCs. In order to meet the harsh demands, APLEX will continuously dedicate to the development of comprehensive products, with an emphasis on quality assurance and complete after-sales service.



Model Name	ViTAM-9XXA P/R/G/H	ViTAM-9XX P/R/G/H	ViTAM-8XX P/R/G/H	ViTAM-6XX P/R/G/H
CPU	6 th Gen. Intel Core i3/i5	4 th Gen. Intel Core i3/i5	Intel Celeron N2930	i Max6 Dual Lite Core
Memory	1 x SO-DIMM DDR4 up to 16GB	Onboard DDR3L 4GB	Onboard DDR3L 4GB	Onboard 1GB DDR3
Mothorboard	SBC-7114	SBC-7110	SBC-7111	SBC-7112
Touch screen	Resistive/Projected capacitive	Resistive/Projected capacitive	Resistive/Projected capacitive	Resistive/Projected capacitive
Display Size	15"/15.6"/17"/19"/21.5"/24"	15"/15.6"/17"/19"/21.5"/24"	10.1"/12.1"/15"/15.6"/17"/19"/21.5"/24"	10.1"/12.1"/15"/21.5"
Flat Bezel	Yes	Yes	Yes	Yes
External Connector	M12	M12	M12	M12
IP rating	Total IP66/69K	Total IP66/69K	Total IP66/69K	Total IP66/69K

Model Name	AEx-9XXAP(H)	AEx-8XXP(H)	AEx-P526	APC-3X95(P/R)
CPU	6 th Gen. Intel Core i3/i5	Intel Celeron N2930	Intel Atom D2550	4 th Gen. Intel Core i3/i5
Memory	1 x SO-DIMM DDR4 up to 16GB	Onboard DDR3L 4GB	Onboard DDR3 2GB	Onboard DDR3L 4GB
Mothorboard	SBC-7114	SBC-7111	SBC-7106	SBC-7110
Touch screen	Projected capacitive	Projected capacitive	Resistive	Resistive/Projected capacitive
Display Size	15"/15.6"/19"/21.5"	15"/15.6"/19"/21.5"	15"	15"/17"/19"
Flat Bezel	Yes	Yes	No	Yes
External Connector	M12	M12	M12	M12
IP rating	Total IP66	Total IP66	Total IP65	Total IP65/69K

Model Name	APC-3X94(P/R)	APC-3X84B APC-3X85B
CPU	Intel Celeron N2930	Intel Celeron N2930
Memory	Onboard DDR3L 4GB	Onboard 4GB DDR3L, 8GB for option
Mothorboard	SBC-7111	SBC-7111
Touch screen	Resistive/Projected capacitive	Resistive/GFG/Projected capacitive
Display Size	15"/17"/19"	15"/17"/19"
Flat Bezel	Yes	No
External Connector	M12	Normal
IP rating	Total IP66/69K	5 sides IP65
Steel enclosure model	Yes	Yes, APC-3X85B

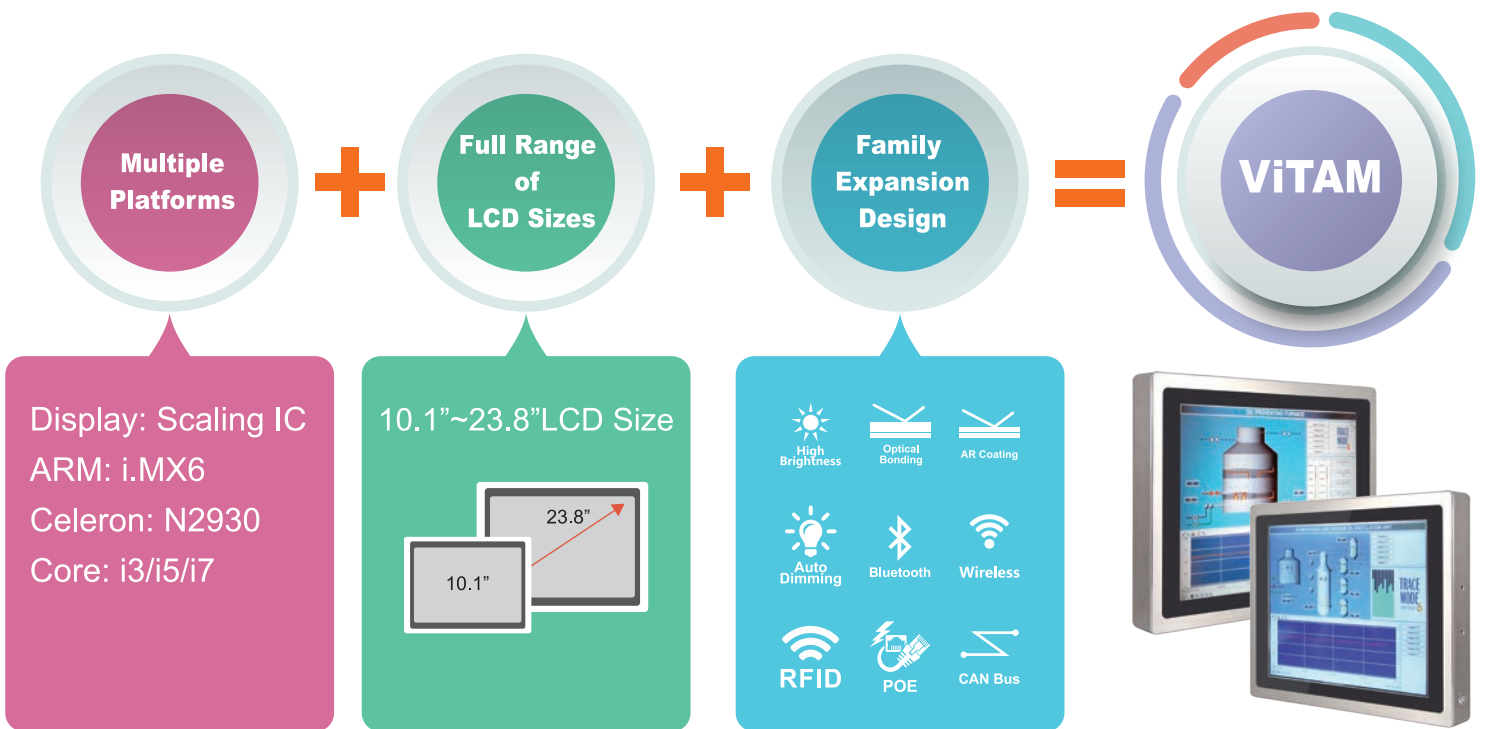
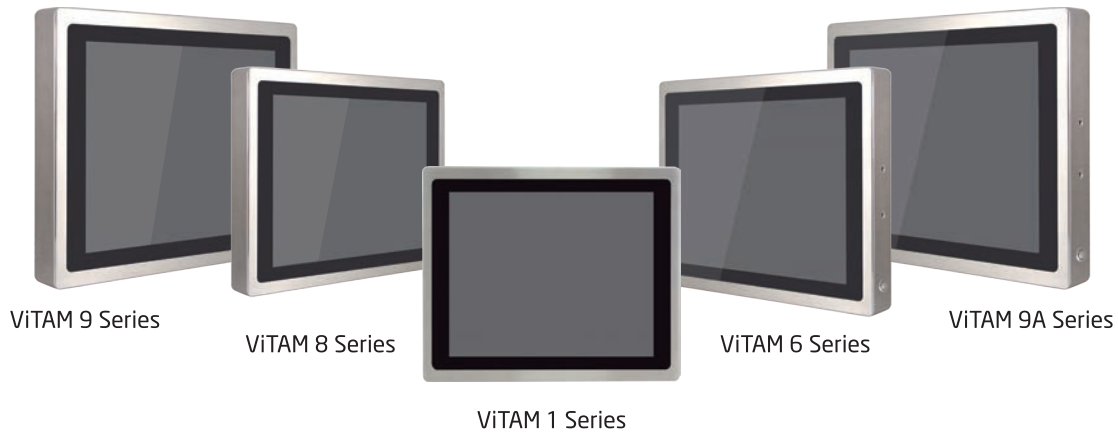
ViTAM

Stainless Steel Panel PC Solutions



The Most Reliable Stainless Steel Panel Solutions Ever

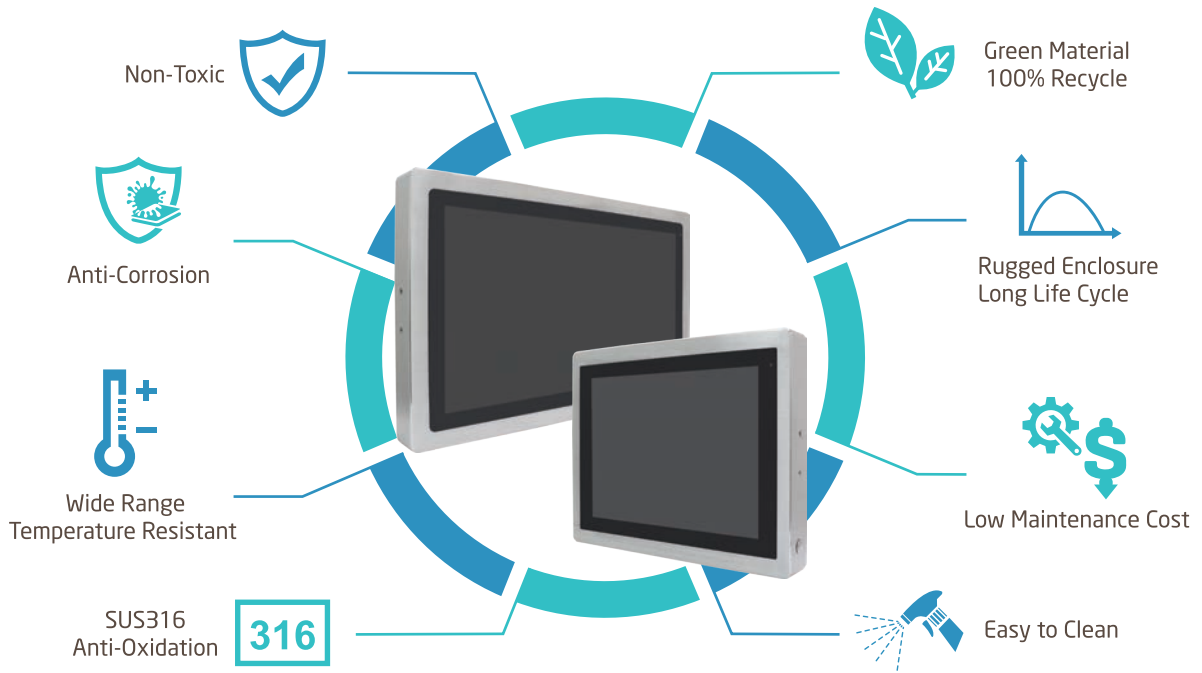
The ViTAM series comes in panel PCs and industrial monitors with all-around features, the Panel PCs are ready for ARM based or X86 based platform which deliver four computing performance levels. ViTAM series brings the most protective panel solution, it goes beyond the basic standard by achieving all IP66 and IP69K-certified with M12 connectors which is capable of withstanding the high-pressure water washing down and preventing the machine from dust accumulation. All is designed for a wide range of industrial applications including food/beverage, chemical, factory automation and other high standard environment. The further information is illustrated below:



VERSATILE MOUNTING



WHY STAINLESS STEEL ?



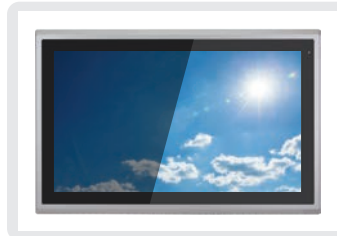
Sanitation is a serious issue of food/beverage industry so it is necessary to do the intensive cleaning to maintain the hygienic environment. Stainless steel is the first option in food and beverage manufacturing industry due to its cleanability, high corrosion resistance, and germ-resistant which can prevent the food/beverage from bacterial poisoning and will not damage people's health.

FEATURES HIGHLIGHT



Wide Range DC 9~36V Power Input

DC 9~36V wide range power input brings the advantage of flexibility and reliability in case the voltage of equipment is different or unstable.



Sunlight Readable Solution

Surface coating are provided, and the brightness can be automatically controlled up to 1000 nits based on the light condition. Optical bonding is recommended in large temp. difference environment which can prevent the glass from fogging up.



PCT Multi-touch Screen with 7H Anti-scratch Surface

All series equipped with multi-touch for the exclusive requirement and 7H anti-scratch interface for the tough protection.(PCT model)



Fanless Design

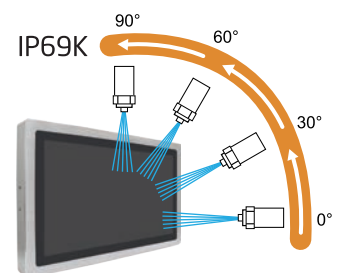
Fanless design for easily maintaining the equipment. Preventing from accumulating dust.



0~50 °C
-20~60 °C for option

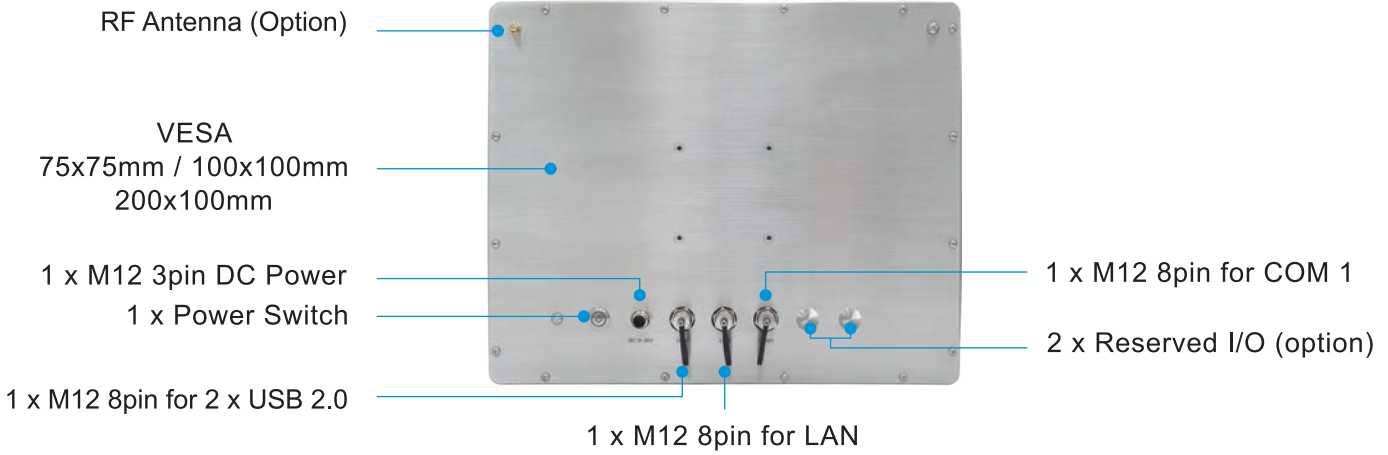
(*Optical bonding is also recommended)

APLEX ViTAM series all passed wide range temperature and IP66/69K testing.



100 Bars at 80 degrees C

ViTAM Panel PCs



ViTAM Display

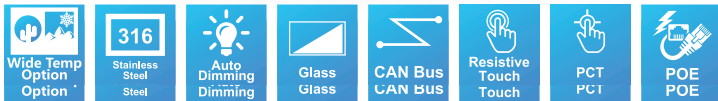


* It is recommended to add one HUB to enhance the signal for USB3.0 while you select the optional M12 to USB 3.0 extended cable is longer than one meter.

ViTAM Series Informantion (Standard)

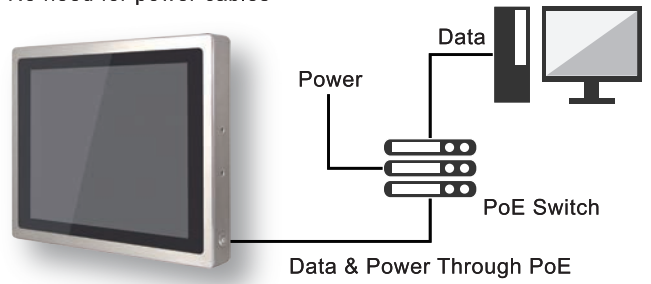
Capacity	ViTAM-1	ViTAM-6	ViTAM-8	ViTAM-9	ViTAM-9A
Category	Monitor	Web HMI (i.MX6)	Client (N2930)	Master (4th Gen. Core i)	Master (6th Gen. Core i)
Touch Screen	PCT/Resistive/Glass				
Size	10.1"~23.8"	10.1"~15", 21.5"	10.1"~23.8"	15"~23.8"	15"~23.8"
System Memory	-	Onboard 1GB DDR3 DRAM	Onboard 4GB DDR3L SDRAM, up to 8GB(option)	Onboard 4GB DDR3L SDRAM, up to 8GB(option)	1 x SO-DIMM DDR4 slot, up to 16GB
Storage	-	On board 4G eMMC 1 x Micro SD Card slot on board	1 x 2.5" HDD/SSD 1 x SD slot on board	1 x 2.5" HDD/SSD	1 x 2.5" HDD/SSD 1 x mSATA slot on board
OS support	-	Linux 4.1.15 Android 6.0.1	Windows Embedded 7 Windows Embedded 8.1 Windows 10 IoT WEC 7(only for ViTAM-8)		
Certificate	CE / FCC Class A				

Expansion Capability



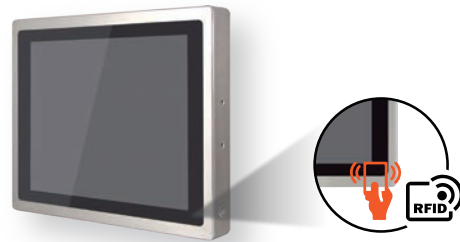
PoE Module

- Cost savings in network installation & energy management
- Flexible and ideal for remote control management
- No need for power cables



RFID Module

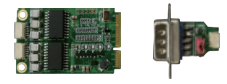
- Read-write module enables data to be changed over time
- Built in IP66 waterproof design
- External Cableless



CAN bus Module

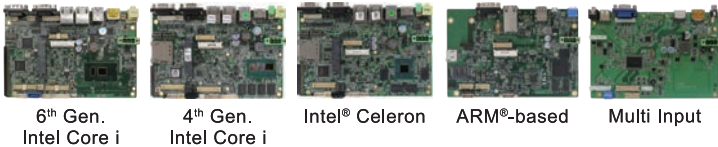
TB-528CAN2:
2 x USB 2.0, 2 x CAN,
2 x COM(RS232), 1 x Mini-PCle,
1 x SIM slot

TB-553CAN2 (TB-215)
■ 2 x CAN
■ Support CANopen Protocol



Motherboards

AD board



TB-528 series

- **TB-528U4:** 4 x USB 2.0
- **TB-528U4ME1:** 4 x USB2.0, 1 x Mini-PCle, 1 x SIM slot
- **TB-528C1U2:** 1 x COM(RS232), 2 x USB 2.0
- **TB-528C1U2P1:** 1 x RS-232/2 x USB 2.0, 1 x Mini-PCle slot
1 x SIM slot, 1 x Power Button

- **TB-528C2:** 2 x COM(RS232)
- **TB-528C2ME1:** 2 x RS-232/ 1 x Mini-PCle slot/ 1 x SIM slot
- **TB-528C2I:** 2 x RS-422 or RS-485, Isolated
- **TB-528E1U2:** 1 x GbE LAN / 2 x USB 2.0
- **TB-528TB-528NE1U2POE:** 1 x GbE LAN
2 x USB 2.0 (25W POE)

- **TB-528E1U2UPOE:**
1 x GbE LAN/ 2 x USB 2.0
(Isolated 45W POE)
- **TB-528E1U2POE:**
1 x GbE LAN/ 2 x USB 2.0
(Isolated 25W POE)

ViTAM Optional Selection Guide

Capacity	Series Name	ViTAM 1 Series	ViTAM 6 Series	ViTAM 8 Series	ViTAM 9 Series	ViTAM 9A Series
PoE		NA	● (Except 21.5")	●	● (Except 23.8")	NA (Only 15")
RFID		NA	●	●	●	●
CAN		NA	●	●	●	●
Dimming		● (Except 19"/23.8")	● (Except 19"/23.8")	● (Except 19"/23.8")	● (Except 19"/23.8")	● (Except 19"/23.8")
High Brightness (1,000 nits)		●	●	●	●	●
Optical Bonding		●	●	●	●	●
AR Coating		●	●	●	●	●
Wi-Fi / Bluetooth		NA	●	●	●	●
SUS316 Enclosure		●	●	●	●	●

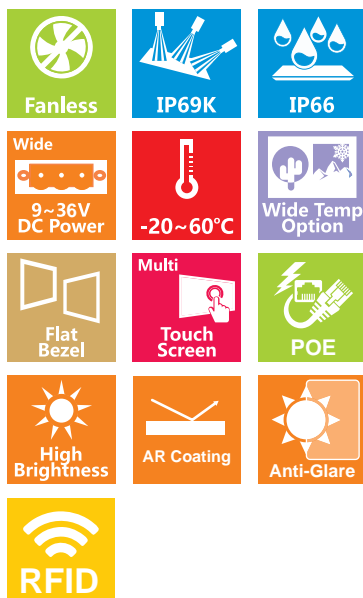


ViTAM-9XXA Series

IP66/IP69K Waterproof

6th Gen. Intel® Core™ i3/i5 Panel PC

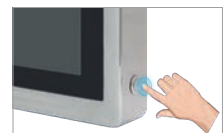
- 6th Generation Intel® Core™ Processor
- 1 x SO-DIMM DDR4 Slot up to 16GB
- Fanless Design
- Touch on/off button on the side
- RFID module design on the front side(optional)



Support Resistive Touch, Projected Capacitive Touch, and Glass



Touch on/off Button on the Side Edge for Hygienic Cleaning



IP66/IP69K Rated with M12 Connectors



Support Ergonomic Versatile Mounting Space-saving VESA Mounting



Support Wide-Range Temperature -20°~60°C



ViTAM-9XXA Series

6th Gen. Intel® Core™ i3/i5 Panel PC



Specifications

Model Name	ViTAM-915AP(H) ViTAM-915AR(H) ViTAM-915AG(H)	ViTAM-916AP(H) ViTAM-916AR(H) ViTAM-916AG(H)	ViTAM-917AP(H) ViTAM-917AR(H) ViTAM-917AG(H)			
System						
Processor	Onboard 6th Gen Intel Core i3/i5 Processor					
System Chipset	SoC					
System Memory	1 x 260-pin SO-DIMM up to 16GB DDR4 2133MHz					
External I/O						
USB	1 x M12 8-pin for USB 2.0 with waterproof cover and chain					
Serial/Parallel	1 x M12 8-pin for COM1, RS-232/422/485, Default RS-232, with waterproof cover and chain					
LAN	1 x M12 8pin for LAN with waterproof cover and chain					
Others	1 x Touch on/off button at the side					
Power connector	1 x M12 3pin for DC Power with waterproof cover and chain, 1 x Power Switch on the rear side					
Option	2 x optional blank M12 connectors with waterproof cover and chain for selecting two from the following options:					
	2 x USB 2.0 1 x USB 3.0 1 x LAN (POE for option) 1 x COM 1 x CAN		2 x USB 2.0 1 x USB 3.0 1 x LAN 1 x COM 1 x CAN			
Storage Space						
HDD	1 x 2.5" SATA3 HDD					
Expansion						
Expansion Slot	1 x Full-size mini-PCIe socket (PCIe + USB) for WIFI/BT/LTE(optional)					
RFID Module	RFID module design on the front side(optional)					
Display	ViTAM-915AP ViTAM-915AR ViTAM-915AG	ViTAM-915APH ViTAM-915ARH ViTAM-915AGH	ViTAM-916AP ViTAM-916AR ViTAM-916AG	ViTAM-916APH ViTAM-916ARH ViTAM-916AGH	ViTAM-917AP ViTAM-917AR ViTAM-917AG	ViTAM-917APH ViTAM-917ARH ViTAM-917AGH
Display type	15" TFT-LCD	15" TFT-LCD	15.6" TFT-LCD	15.6" TFT-LCD	17" TFT-LCD	17" TFT-LCD
Max. resolution	1024 x 768	1024 x 768	1366 x 768	1366 x 768	1280 x 1024	1280 x 1024
Max. color	16.7M	16.7M	16.7M	16.7M	16.7M	16.7M
Luminance(cd/m ²)	300	1000	300	1000	350	1000
View angle(H°/V°)	176/176	160/160	160/160	170/170	160/140	170/160
Contrast	2000:1	800:1	500:1	800:1	800:1	800:1
Backlight lifetime(hrs)	70000	50000	50000	50000	50000	50000
Touch Screen						
Type	Resistive Touch(For AR model) Projected Capacitive(For AP model) Glass(For AG model)					
Interface	USB					
Light transmission(%)	Resistive Touch : 80% Projected Capacitive : 90%					
Power						
Power input	9~36V DC					
Power Consumption (TYP.)	ViTAM-915AP:35W		ViTAM-916AP:49W		ViTAM-917AP:49W	
Mechanical						
Construction	304 Stainless steel chassis(default), 316 Stainless steel chassis(optional)					
IP rating	Total IP66/IP69K					
Mounting	VESA mount 75 x75, Yoke mount for optional					
Dimension(mm)	399 x 324 x 53		440 x 290 x 55		432 x 358 x 55	
Net weight(Kg)	7.1		7		8.2	
Environment						
Operating temperature(°C)	0 ~ 50/-20~60(option)			0~50		
Storage temperature(°C)	-30~70					
Humidity	10 to 95% @ 40°C, non- condensing					
Certification	CE/FCC Class A					
Operating System Support						
Windows Embedded 7 Windows Embedded 8.1 Windows 10 IoT ENT LTSC						



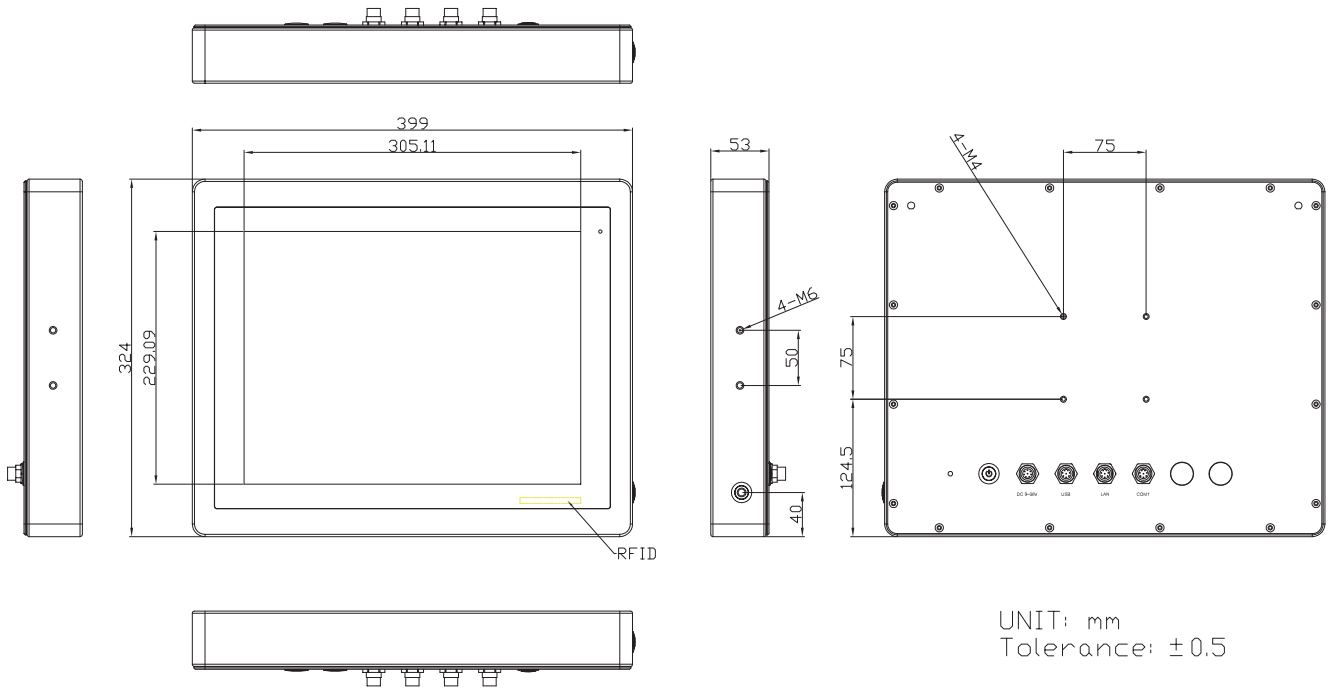
Specifications

Model Name	ViTAM-919AP(H) ViTAM-919AR(H) ViTAM-919AG(H)	ViTAM-921AP(H) ViTAM-921AR(H) ViTAM-921AG(H)	ViTAM-924AP(H) ViTAM-924AG(H)			
System						
Processor	Onboard 6th Gen Intel Core i3/i5 Processor					
System Chipset	SoC					
System Memory	1 x 260-pin SO-DIMM up to 16GB DDR4 2133MHz					
External I/O						
USB	1 x M12 8-pin for USB 2.0 with waterproof cover and chain					
Serial/Parallel	1 x M12 8-pin for COM1, RS-232/422/485, Default RS-232, with waterproof cover and chain					
LAN	1 x M12 8pin for LAN with waterproof cover and chain					
Others	1 x Touch on/off button on the side					
Power connector	1 x M12 3pin for DC Power with waterproof cover and chain, 1 x Power Switch on the rear side					
Option	2 x optional blank M12 connectors with waterproof cover and chain for selecting two from the following options: 2 x USB 2.0 1 x USB 3.0 1 x LAN 1 x COM Port 1 x CAN					
Storage Space						
HDD	1 x 2.5" HDD/SSD					
Expansion						
Expansion Slot	1 x Full-size mini-PCIe socket (PCIe + USB) for WIFI/BT/LTE(optional)					
RFID Module	RFID module design on the front side (optional)					
Display	ViTAM-919AP ViTAM-919AR ViTAM-919AG	ViTAM-919APH ViTAM-919ARH ViTAM-919AGH	ViTAM-921AP ViTAM-921AR ViTAM-921AG	ViTAM-921APH ViTAM-921ARH ViTAM-921AGH	ViTAM-924AP ViTAM-924AG	ViTAM-924APH ViTAM-924AGH
Display type	19" TFT-LCD	19" TFT-LCD	21.5" TFT-LCD	21.5" TFT-LCD	23.8" TFT-LCD	23.8" TFT-LCD
Max. resolution	1280 x 1024	1280 x 1024	1920 x 1080	1920 x 1080	1920 x 1080	1920 x 1080
Max. color	16.7M	16.7M	16.7M	16.7M	16.7M	16.7M
Luminance(cd/m ²)	350	1000	250	1000	250	1000
View angle(H°/V°)	170/160	170/160	178/178	178/178	178/178	178/178
Contrast	1000:1	1000:1	3000:1	3000:1	3000:1	5000:1
Backlight lifetime(hrs)	50000	50000	30000	50000	30000	50000
Option	Optical bonding		Optical bonding		Optical bonding	
Touch Screen						
Type	Resistive Touch(For R model) Projected Capacitive(For P model) Glass(For G model)					
Interface	USB					
Light transmission(%)	Over 90% (Resistive Touch:80%)					
Power						
Power input	9~36V DC					
Power Consumption (TYP.)	ViTAM-919AP:49W		ViTAM-921AP:43W		ViTAM-924AP:53W	
Mechanical						
Construction	304 Stainless steel chassis(default), 316 Stainless steel chassis(optional)					
IP rating	Total IP66/IP69K					
Mounting	VESA mount 100 x 100, Yoke mount for optional				VESA mount 200 x 100, Yoke mount for optional	
Dimension(mm)	470 x 388.6 x 60		571 x 362 x 55		656 x 423 x 53	
Net weight(Kg)	9.5		10.0		12.6	
Environment						
Operating temperature(°C)	0 ~ 50 (0~40 for 21.5" high brightness model)					
Storage temperature(°C)	-30~70					
Humidity	10 to 95% @ 40°C, non- condensing					
Certification	CE/FCC Class A					
Operating System Support						
Windows Embedded 7 Windows Embedded 8.1 Windows 10 IoT ENT LTSC						

ViTAM-9XXA Series

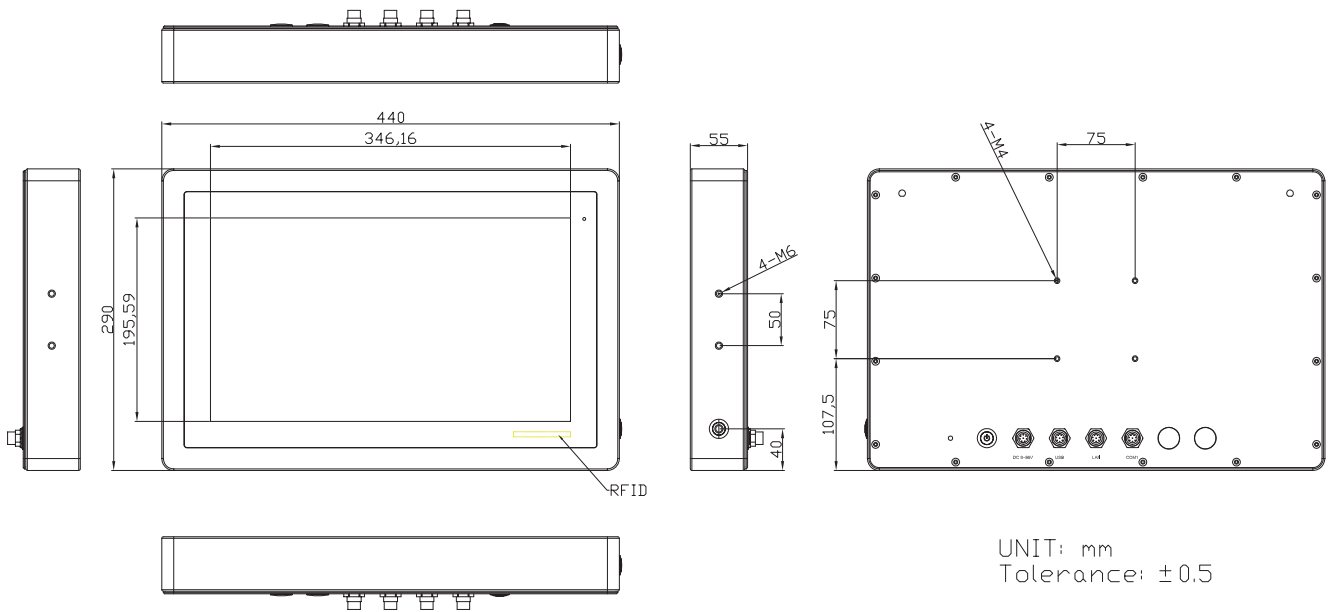
6th Gen. Intel® Core™ i3/i5 Panel PC

ViTAM-915A P/R/G(H)



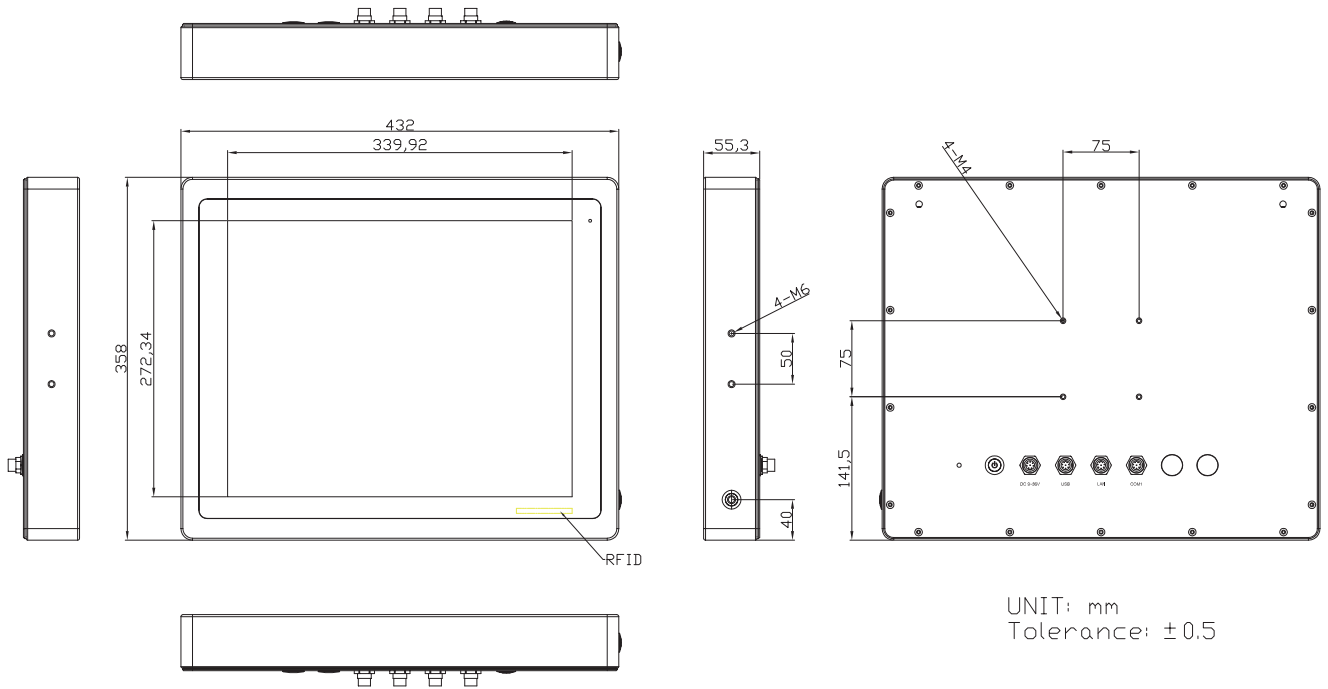
unit:mm

ViTAM-916A P/R/G(H)



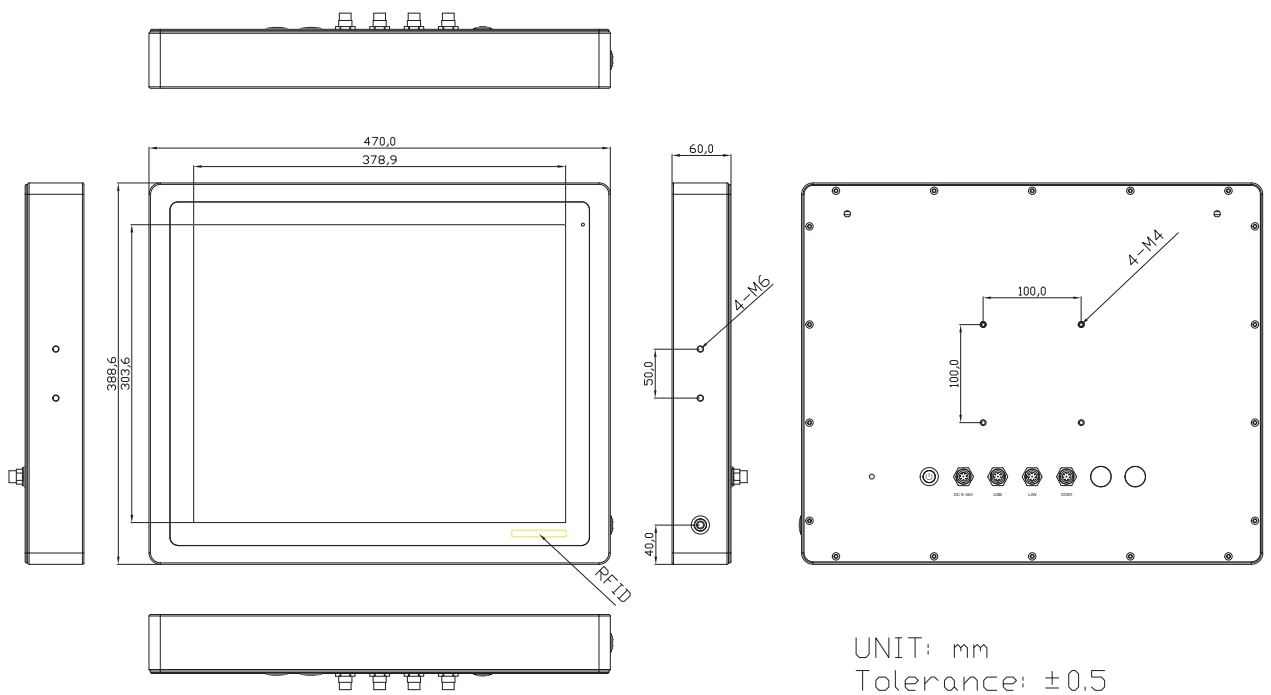
unit:mm

ViTAM-917A P/R/G(H)



unit:mm

ViTAM-919A P/R/G(H)

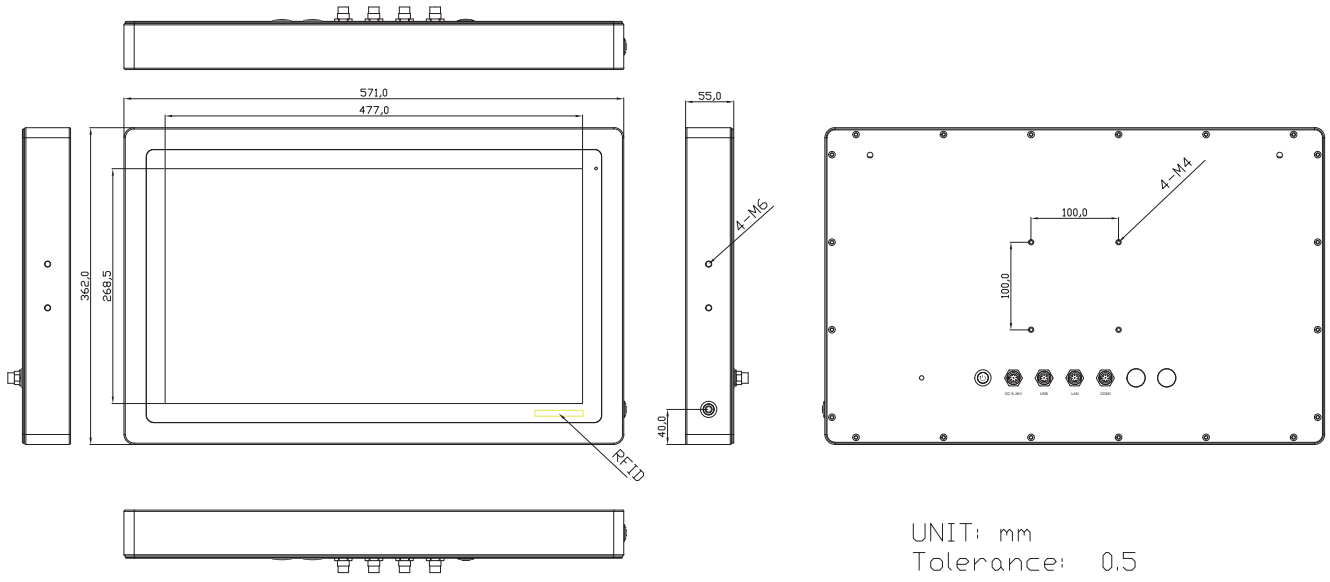


unit:mm

ViTAM-9XXA Series

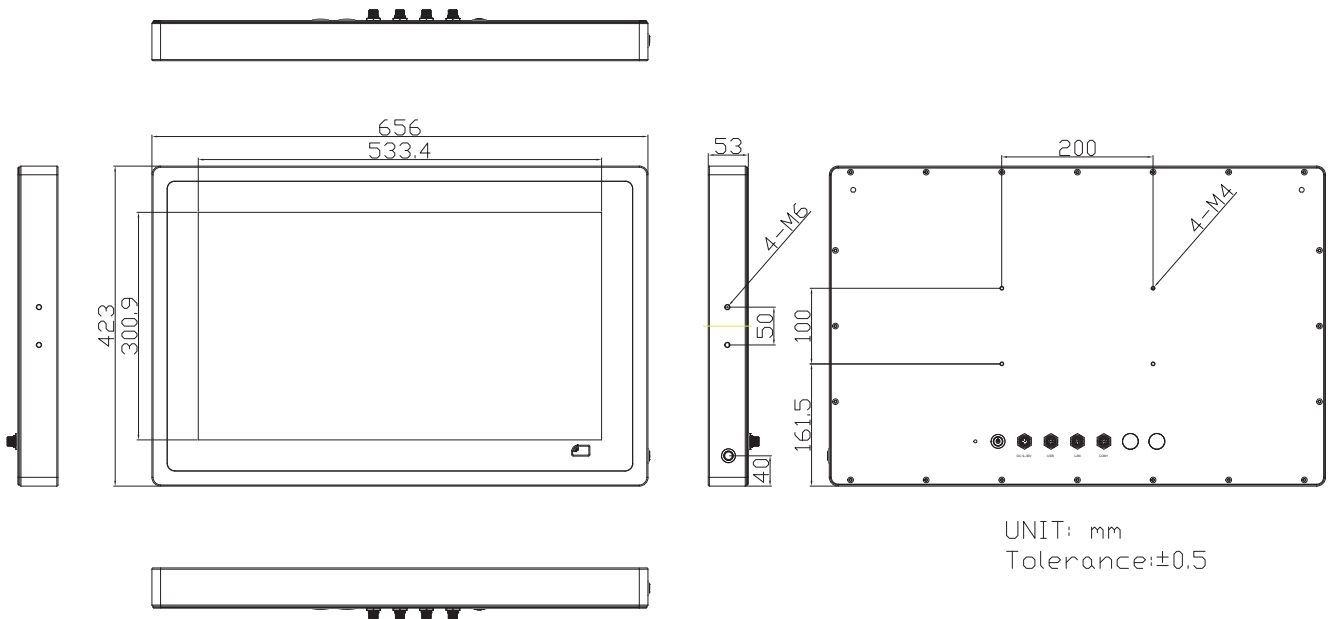
6th Gen. Intel® Core™ i3/i5 Panel PC

ViTAM-921A P/R/G(H)



unit:mm

ViTAM-924A P/R/G(H)



unit:mm

Ordering information

Model NO.	Description
ViTAM-915AP	15" XGA IP66/IP69K stainless steel panel pc, Intel 6th Gen. Core i Processor, 1 x SO-DIMM DDR4 slot, 32G MLC SSD, projected capacitive touch, 9~36V DC power input with Adapter
ViTAM-915AR	15" XGA IP66/IP69K stainless steel panel pc, Intel 6th Gen. Core i Processor, 1 x SO-DIMM DDR4 slot, 32G MLC SSD, 5 wire resistive touch window, 9~36V DC power input with Adapter
ViTAM-915AG	15" XGA IP66/IP69K stainless steel panel pc, Intel 6th Gen. Core i Processor, 1 x SO-DIMM DDR4 slot, 32G MLC SSD, protection glass, 9~36V DC power input with Adapter
ViTAM-915APH	15" XGA IP66/IP69K stainless steel panel pc, Intel 6th Gen. Core i Processor, 1 x SO-DIMM DDR4 slot, 32G MLC SSD, projected capacitive touch, 9~36V DC power input with Adapter, 1000 nits
ViTAM-915ARH	15" XGA IP66/IP69K stainless steel panel pc, Intel 6th Gen. Core i Processor, 1 x SO-DIMM DDR4 slot, 32G MLC SSD, 5 wire resistive touch window, 9~36V DC power input with Adapter, 1000 nits
ViTAM-915AGH	15" XGA IP66/IP69K stainless steel panel pc, Intel 6th Gen. Core i Processor, 1 x SO-DIMM DDR4 slot, 32G MLC SSD, protection glass, 9~36V DC power input with Adapter, 1000 nits
ViTAM-916AP	15.6" WXGA IP66/IP69K stainless steel panel pc, Intel 6th Gen. Core i Processor, 1 x SO-DIMM DDR4 slot, 32G MLC SSD, projected capacitive touch, 9~36V DC power input with Adapter
ViTAM-916AR	15.6" WXGA IP66/IP69K stainless steel panel pc, Intel 6th Gen. Core i Processor, 1 x SO-DIMM DDR4 slot, 32G MLC SSD, 5 wire resistive touch window, 9~36V DC power input with Adapter
ViTAM-916AG	15.6" WXGA IP66/IP69K stainless steel panel pc, Intel 6th Gen. Core i Processor, 1 x SO-DIMM DDR4 slot, 32G MLC SSD, protection glass, 9~36V DC power input with Adapter
ViTAM-916APH	15.6" WXGA IP66/IP69K stainless steel panel pc, Intel 6th Gen. Core i Processor, 1 x SO-DIMM DDR4 slot, 32G MLC SSD, projected capacitive touch, 9~36V DC power input with Adapter, 1000 nits
ViTAM-916ARH	15.6" WXGA IP66/IP69K stainless steel panel pc, Intel 6th Gen. Core i Processor, 1 x SO-DIMM DDR4 slot, 32G MLC SSD, 5 wire resistive touch window, 9~36V DC power input with Adapter, 1000 nits
ViTAM-916AGH	15.6" WXGA IP66/IP69K stainless steel panel pc, Intel 6th Gen. Core i Processor, 1 x SO-DIMM DDR4 slot, 32G MLC SSD, protection glass, 9~36V DC power input with Adapter, 1000 nits
ViTAM-917AP	17" SXGA IP66/IP69K stainless steel panel pc, Intel 6th Gen. Core i Processor, 1 x SO-DIMM DDR4 slot, 32G MLC SSD, projected capacitive touch, 9~36V DC power input with Adapter
ViTAM-917AR	17" SXGA IP66/IP69K stainless steel panel pc, Intel 6th Gen. Core i Processor, 1 x SO-DIMM DDR4 slot, 32G MLC SSD, 5 wire resistive touch window, 9~36V DC power input with Adapter
ViTAM-917AG	17" SXGA IP66/IP69K stainless steel panel pc, Intel 6th Gen. Core i Processor, 1 x SO-DIMM DDR4 slot, 32G MLC SSD, protection glass, 9~36V DC power input with Adapter
ViTAM-917APH	17" SXGA IP66/IP69K stainless steel panel pc, Intel 6th Gen. Core i Processor, 1 x SO-DIMM DDR4 slot, 32G MLC SSD, projected capacitive touch, 9~36V DC power input with Adapter, 1000 nits
ViTAM-917ARH	17" SXGA IP66/IP69K stainless steel panel pc, Intel 6th Gen. Core i Processor, 1 x SO-DIMM DDR4 slot, 32G MLC SSD, 5 wire resistive touch window, 9~36V DC power input with Adapter, 1000 nits
ViTAM-917AGH	17" SXGA IP66/IP69K stainless steel panel pc, Intel 6th Gen. Core i Processor, 1 x SO-DIMM DDR4 slot, 32G MLC SSD, protection glass, 9~36V DC power input with Adapter, 1000 nits

Ordering information

Model NO.	Description
ViTAM-919AP	19" SXGA IP66/IP69K stainless steel panel pc, Intel 6th Gen. Core i Processor 1 x SO-DIMM DDR4 slot, 32G MLC SSD, protection glass, 9~36V DC power input with Adapter
ViTAM-919AR	19" SXGA IP66/IP69K stainless steel panel pc, Intel 6th Gen. Core i Processor, 1 x SO-DIMM DDR4 slot, 32G MLC SSD, 5 wire resistive touch window, 9~36V DC power input with Adapter
ViTAM-919AG	19" SXGA IP66/IP69K stainless steel panel pc, Intel 6th Gen. Core i Processor, 1 x SO-DIMM DDR4 slot, 32G MLC SSD, projected capacitive touch, 9~36V DC power input with Adapter
ViTAM-919APH	19" SXGA IP66/IP69K stainless steel panel pc, Intel 6th Gen. Core i Processor, 1 x SO-DIMM DDR4 slot, 32G MLC SSD, projected capacitive touch, 9~36V DC power input with Adapter, 1000 nits
ViTAM-919ARH	19" SXGA IP66/IP69K stainless steel panel pc, Intel 6th Gen. Core i Processor, 1 x SO-DIMM DDR4 slot, 32G MLC SSD, 5 wire resistive touch window, 9~36V DC power input with Adapter, 1000 nits
ViTAM-919AGH	19" SXGA IP66/IP69K stainless steel panel pc, Intel 6th Gen. Core i Processor, 1 x SO-DIMM DDR4 slot, 32G MLC SSD, protection glass, 9~36V DC power input with Adapter, 1000 nits
ViTAM-921AP	21.5" FHD IP66/IP69K stainless steel panel pc, Intel 6th Gen. Core i Processor, 1 x SO-DIMM DDR4 slot, 32G MLC SSD, projected capacitive touch, 9~36V DC power input with Adapter
ViTAM-921AR	21.5" FHD IP66/IP69K stainless steel panel pc, Intel 6th Gen. Core i Processor, 1 x SO-DIMM DDR4 slot, 32G MLC SSD, 5 wire resistive touch window, 9~36V DC power input with Adapter
ViTAM-921AG	21.5" FHD IP66/IP69K stainless steel panel pc, Intel 6th Gen. Core i Processor, 1 x SO-DIMM DDR4 slot, 32G MLC SSD, protection glass, 9~36V DC power input with Adapter
ViTAM-921APH	21.5" FHD IP66/IP69K stainless steel panel pc, Intel 6th Gen. Core i Processor, 1 x SO-DIMM DDR4 slot, 32G MLC SSD, projected capacitive touch, 9~36V DC power input with Adapter, 1000 nits
ViTAM-921ARH	21.5" FHD IP66/IP69K stainless steel panel pc, Intel 6th Gen. Core i Processor, 1 x SO-DIMM DDR4 slot, 32G MLC SSD, 5 wire resistive touch window, 9~36V DC power input with Adapter, 1000 nits
ViTAM-921AGH	21.5" FHD IP66/IP69K stainless steel panel pc, Intel 6th Gen. Core i Processor, 1 x SO-DIMM DDR4 slot, 32G MLC SSD, protection glass, 9~36V DC power input with Adapter, 1000 nits
ViTAM-924AP	23.8" FHD IP66/IP69K stainless steel panel pc, Intel 6th Gen. Core i Processor, 1 x SO-DIMM DDR4 slot, 32G MLC SSD, projected capacitive touch, 9~36V DC power input with Adapter
ViTAM-924AG	23.8" FHD IP66/IP69K stainless steel panel pc, Intel 6th Gen. Core i Processor, 1 x SO-DIMM DDR4 slot, 32G MLC SSD, protection glass, 9~36V DC power input with Adapter
ViTAM-924APH	23.8" FHD IP66/IP69K stainless steel panel pc, Intel 6th Gen. Core i Processor, 1 x SO-DIMM DDR4 slot, 32G MLC SSD, projected capacitive touch, 9~36V DC power input with Adapter, 1000 nits
ViTAM-924AGH	23.8" FHD IP66/IP69K stainless steel panel pc, Intel 6th Gen. Core i Processor, 1 x SO-DIMM DDR4 slot, 32G MLC SSD, protection glass, 9~36V DC power input with Adapter, 1000 nits

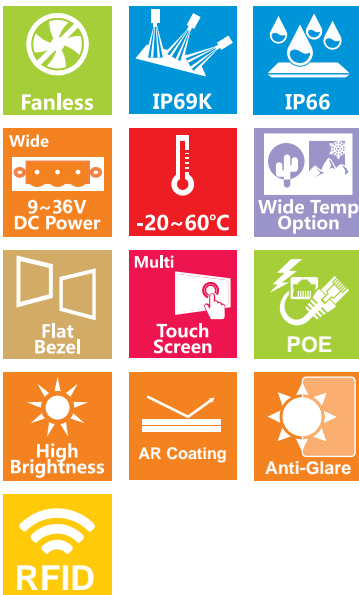


ViTAM-9XX Series

IP66/IP69K Waterproof

4th Gen. Intel® Core™ i3/i5 Panel PC

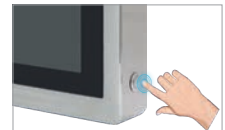
- Intel® 4th Generation Core i3/i5(Haswell) Processor
- Onboard 4GB/8GB DDR3L 1600MHz memory
- Fanless Design
- Touch on/off button on the side
- RFID module design on the front side(optional)



Support Resistive Touch, Projected Capacitive Touch, and Glass



Touch on/off Button on the Side Edge for Hygienic Cleaning



IP66/IP69K Rated with M12 Connectors



Support Ergonomic Versatile Mounting Space-saving VESA Mounting



Support Wide-Range Temperature -20°~60°C



ViTAM-9XX Series

4th Gen. Intel® Core™ i3/i5 Panel PC



Specifications

Model Name	ViTAM-915P(H) ViTAM-915R(H) ViTAM-915G(H)	ViTAM-916P(H) ViTAM-916R(H) ViTAM-916G(H)	ViTAM-917P(H) ViTAM-917R(H) ViTAM-917G(H)			
System						
Processor	Onboard 4th Gen Intel Core i3/i5 Processor					
System Chipset	SoC					
System Memory	Onboard 4GB DDR3L SDRAM , up to 8GB(option)					
External I/O						
USB	1 x M12 8-pin for USB 2.0 with waterproof cover and chain					
Serial/Parallel	1 x M12 8-pin for COM1, RS-232/422/485, Default RS-232, with waterproof cover and chain					
LAN	1 x M12 8pin for LAN with waterproof cover and chain					
Others	1 x Touch on/off button on the side					
Power connector	1 x M12 3pin for DC Power with waterproof cover and chain, 1 x Power switch on the rear side					
Option	2 x optional blank M12 connector with waterproof cover and chain for selecting two from the following options: 2 x USB 2.0 1 x USB 3.0 1 x LAN (POE for option) 1 x COM 1 x CAN					
Storage Space						
HDD	1 x 2.5" SATA3 HDD					
Expansion						
Expansion Slot	1 x Full-size mini-PCIe socket (PCIe + USB) for WIFI/BT/LTE(optional)					
RFID Module	RFID module design on the front side (optional)					
Display	ViTAM-915AP ViTAM-915AR ViTAM-915AG	ViTAM-915PH ViTAM-915RH ViTAM-915GH	ViTAM-916P ViTAM-916R ViTAM-916G	ViTAM-916PH ViTAM-916RH ViTAM-916GH	ViTAM-917P ViTAM-917R ViTAM-917G	ViTAM-917PH ViTAM-917RH ViTAM-917GH
Display type	15" TFT-LCD	15" TFT-LCD	15.6" TFT-LCD	15.6" TFT-LCD	17" TFT-LCD	17" TFT-LCD
Max. resolution	1024 x 768	1024 x 768	1366 x 768	1366 x 768	1280 x 1024	1280 x 1024
Max. color	16.7M	16.7M	16.7M	16.7M	16.7M	16.7M
Luminance(cd/m ²)	300	1000	300	1000	350	1000
View angle(H°/V°)	176/176	160/160	160/160	170/170	160/140	170/160
Contrast	2000:1	800:1	500:1	800:1	800:1	800:1
Backlight lifetime(hrs)	70000	50000	50000	50000	50000	50000
Touch Screen						
Type	Resistive Touch(For R model) Projected Capacitive(For P model) Glass(For G model)					
Interface	USB					
Light transmission(%)	Resistive Touch : 80% Projected Capacitive : 90%					
Power						
Power input	DC 9~36V					
Power Consumption (TYP.)	ViTAM-915P:29W		ViTAM-916P:26W		ViTAM-917P:39W	
Mechanical						
Construction	304 Stainless steel chassis(default), 316 Stainless steel chassis(optional)					
IP rating	Total IP66/IP69K					
Mounting	VESA mount 75 x75, Yoke mount for optional					
Dimension(mm)	399 x 324 x 53		440 x 290 x 55		432 x 358 x 55	
Net weight(Kg)	7.1		7.2		8.0	
Environment						
Operating temperature(°C)	0 ~ 50/-20~60(option)				0~50	
Storage temperature(°C)	-30~70					
Humidity	10 to 95% @ 40°C, non- condensing					
Certification	CE/FCC Class A					
Operating System Support						
Windows Embedded 7 Windows Embedded 8.1 Windows 10 IoT ENT LTSB						



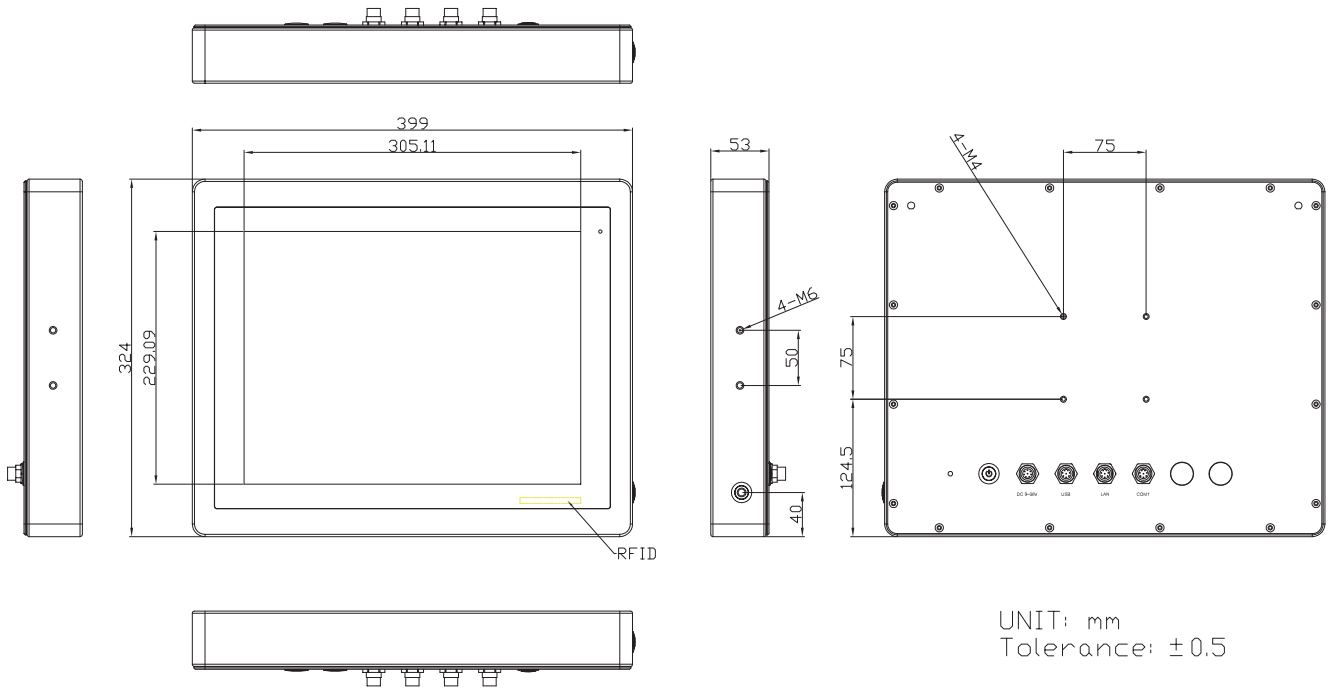
Specifications

Model Name	ViTAM-919P(H) ViTAM-919R(H) ViTAM-919G(H)	ViTAM-921P(H) ViTAM-921R(H) ViTAM-921G(H)	ViTAM-924P(H) ViTAM-924G(H)			
System						
Processor	Onboard 4th Gen Intel Core i3/i5 Processor					
System Chipset	SoC					
System Memory	Onboard 4GB DDR3L SDRAM , up to 8GB(option)					
External I/O						
USB	1 x M12 8-pin for USB 2.0 with waterproof cover and chain					
Serial/Parallel	1 x M12 8-pin for COM1, RS-232/422/485, Default RS-232, with waterproof cover and chain					
LAN	1 x M12 8pin for LAN with waterproof cover and chain					
Others	1 x Touch on/off button on the side					
Power connector	1 x M12 3pin for DC Power with waterproof cover and chain, 1 x Power switch on the rear side					
Option	2 x optional blank M12 connector with waterproof cover and chain for selecting two from the following options:					
	2 x USB 2.0 1 x USB 3.0 1 x LAN (POE for option) 1 x COM 1 x CAN		2 x USB 2.0 1 x USB 3.0 1 x LAN 1 x COM 1 x CAN			
Storage Space						
HDD	1 x 2.5" SATA3 HDD					
Expansion						
Expansion Slot	1 x Full-size mini-PCIe socket (PCIe + USB) for WIFI/BT/LTE(optional)					
RFID Module	RFID module design on the front side (optional)					
Display	ViTAM-919P ViTAM-919R ViTAM-919G	ViTAM-919PH ViTAM-919RH ViTAM-919GH	ViTAM-921P ViTAM-921R ViTAM-921G	ViTAM-921PH ViTAM-921RH ViTAM-921GH	ViTAM-924P ViTAM-924G	ViTAM-924PH ViTAM-924GH
Display type	19" TFT-LCD	19" TFT-LCD	21.5" TFT-LCD	21.5" TFT-LCD	23.8" TFT-LCD	23.8" TFT-LCD
Max. resolution	1280 x 1024	1280 x 1024	1920 x 1080	1920 x 1080	1920 x 1080	1920 x 1080
Max. color	16.7M	16.7M	16.7M	16.7M	16.7M	16.7M
Luminance(cd/m ²)	350	1000	250	1000	250	1000
View angle(H°/V°)	170/160	170/160	178/178	178/178	178/178	178/178
Contrast	1000:1	1000:1	3000:1	3000:1	3000:1	5000:1
Backlight lifetime(hrs)	50000	50000	30000	50000	30000	50000
Touch Screen						
Type	Resistive Touch(For R model) Projected Capacitive(For P model) Glass(For G model)					
Interface	USB					
Light transmission(%)	Resistive Touch : 80% Projected Capacitive : 90%					
Power						
Power input	DC 9~36V					
Power Consumption (TYP.)	ViTAM-919P:40W		ViTAM-921R:39W		ViTAM-924P:41W	
Mechanical						
Construction	304 Stainless steel chassis(default), 316 Stainless steel chassis(optional)					
IP rating	Total IP66/IP69K					
Mounting	VESA mount 100 x 100, Yoke mount for optional				VESA mount 200 x 100, Yoke mount for optional	
Dimension(mm)	470 x 388.6 x 60		571 x 362 x 55		656 x 423 x 53	
Net weight(Kg)	9.5		10.0		12.5	
Environment						
Operating temperature(°C)	0 ~ 50 (0~40 for 21.5" high brightness model)					
Storage temperature(°C)	-30~70					
Humidity	10 to 95% @ 40°C, non- condensing					
Certification	CE/FCC Class A					
Operating System Support						
Windows Embedded 7 Windows Embedded 8.1 Windows 10 IoT ENT LTSC						

ViTAM-9XX Series

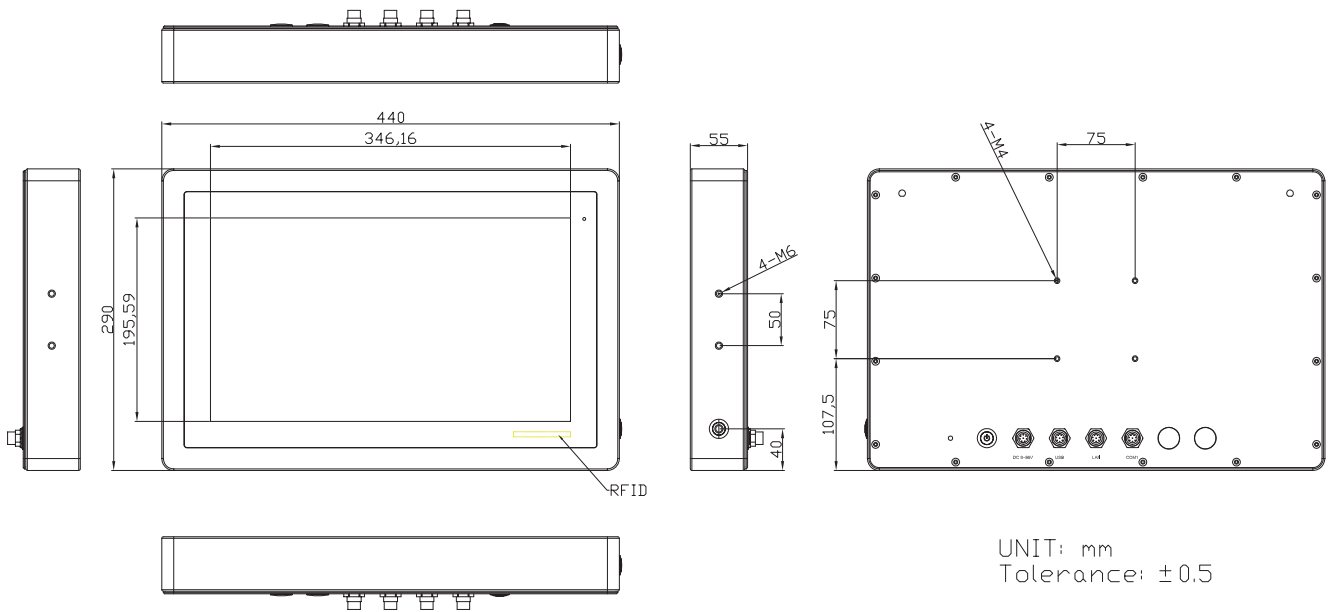
4th Gen. Intel® Core™ i3/i5 Panel PC

ViTAM-915P/R/G(H)



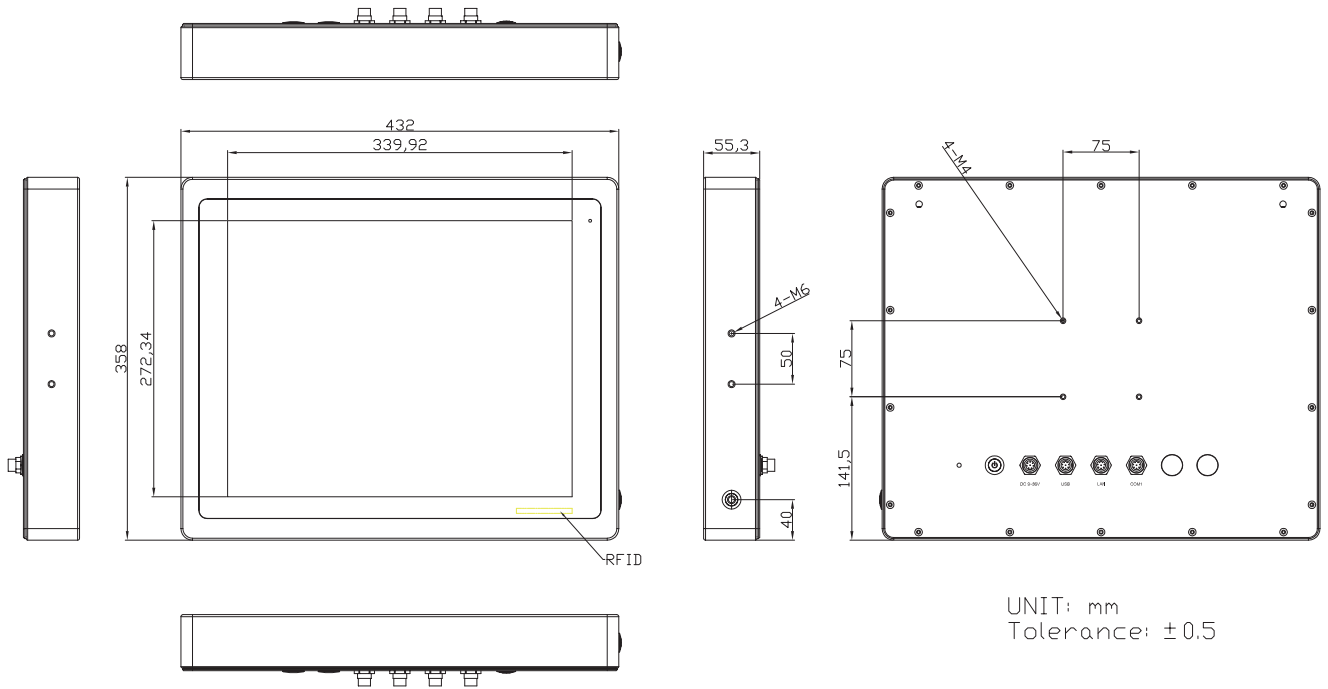
unit:mm

ViTAM-916P/R/G(H)



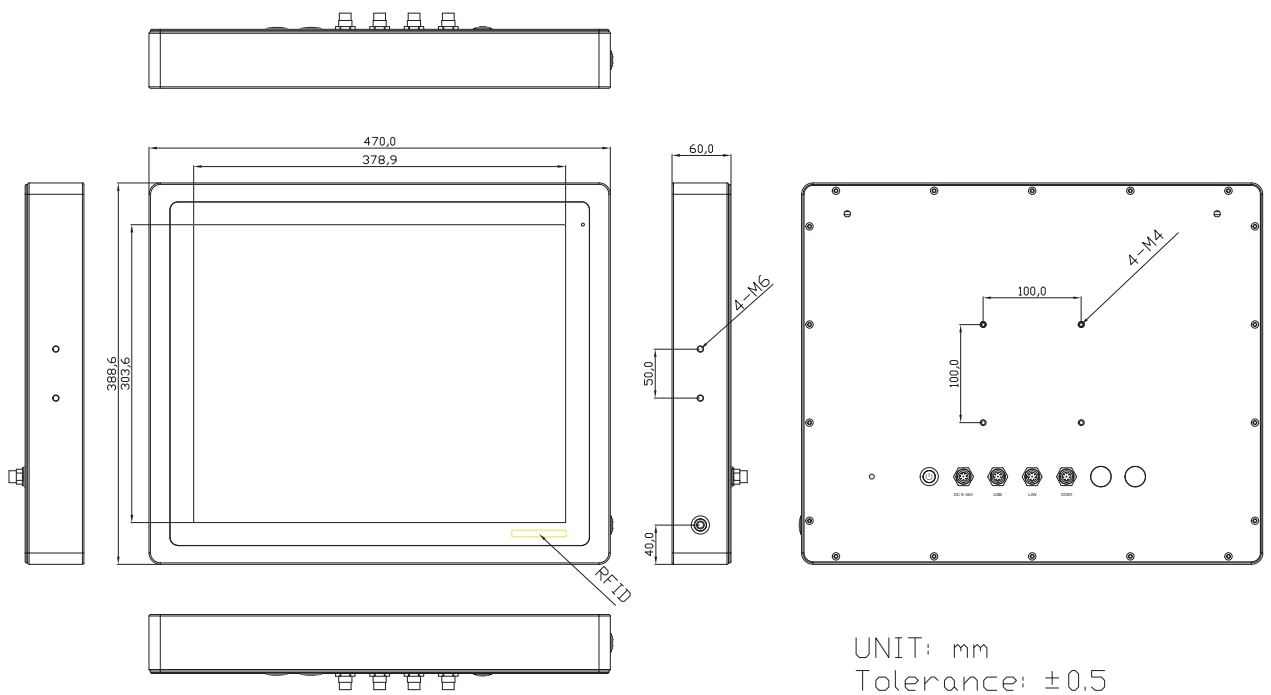
unit:mm

ViTAM-917P/R/G(H)



unit:mm

ViTAM-919P/R/G(H)

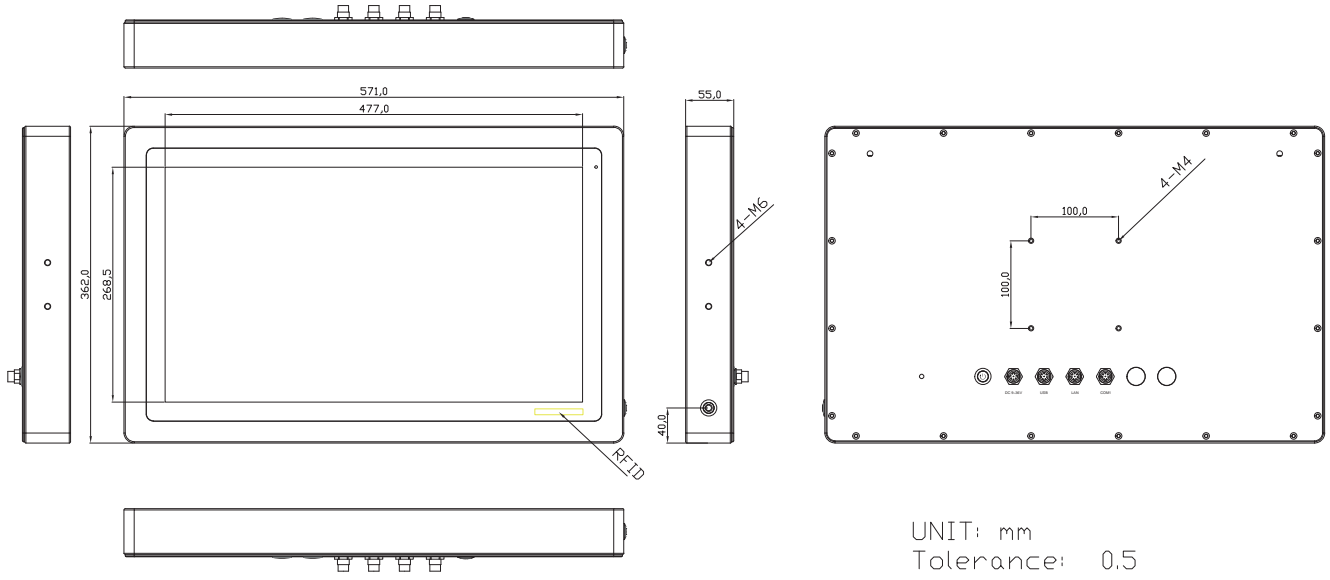


unit:mm

ViTAM-9XX Series

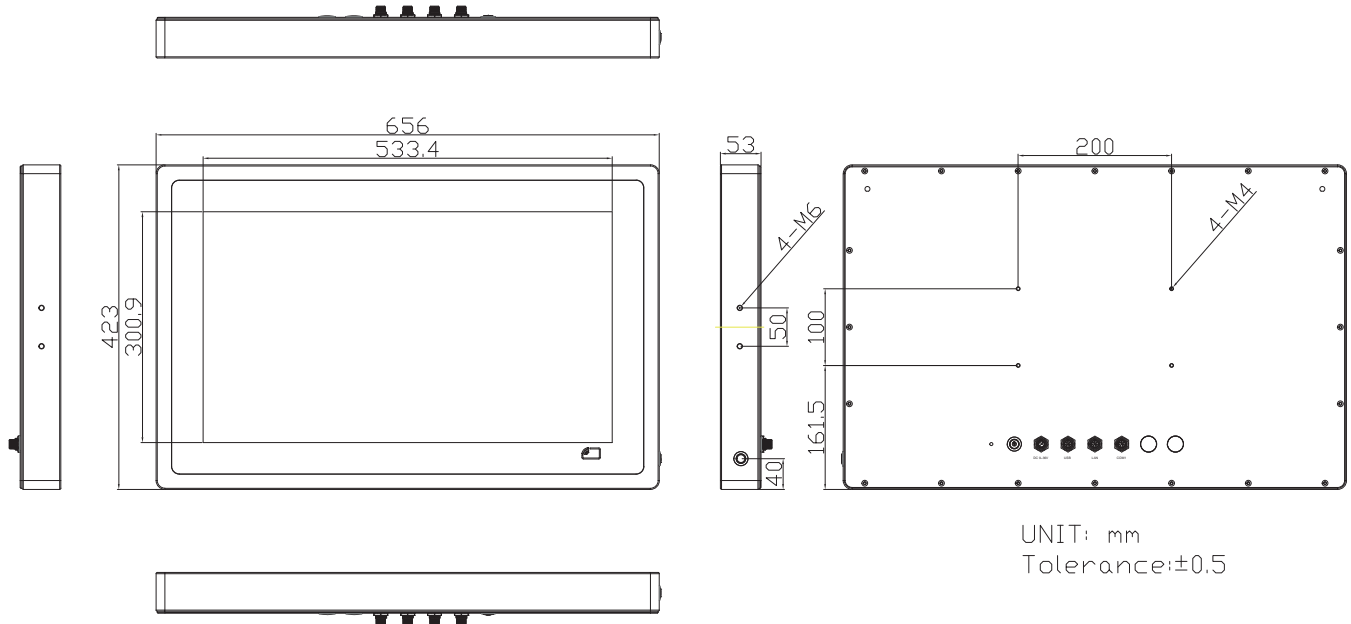
4th Gen. Intel® Core™ i3/i5 Panel PC

ViTAM-921P/R/G(H)



unit:mm

ViTAM-924P/G(H)



unit:mm

Ordering information

Model NO.	Description
ViTAM-915P	15" XGA IP66/IP69K stainless steel panel pc, Intel 4th Gen. Core i Processor, 4GB DDR3L RAM, 32G MLC SSD, projected capacitive touch, 9~36V DC power input with Adapter
ViTAM-915R	15" XGA IP66/IP69K stainless steel panel pc, Intel 4th Gen. Core i Processor, 4GB DDR3L RAM, 32G MLC SSD, 5 wire resistive touch window, 9~36V DC power input with Adapter
ViTAM-915G	15" XGA IP66/IP69K stainless steel panel pc, Intel 4th Gen. Core i Processor, 4GB DDR3L RAM, 32G MLC SSD, protection glass, 9~36V DC power input with Adapter
ViTAM-915PH	15" XGA IP66/IP69K stainless steel panel pc, Intel 4th Gen. Core i Processor, 4GB DDR3L RAM, 32G MLC SSD, projected capacitive touch, 9~36V DC power input with Adapter, 1,000 nits LCD
ViTAM-915RH	15" XGA IP66/IP69K stainless steel panel pc, Intel 4th Gen. Core i Processor, 4GB DDR3L RAM, 32G MLC SSD, 5 wire resistive touch window, 9~36V DC power input with Adapter, 1,000 nits LCD
ViTAM-915GH	15" XGA IP66/IP69K stainless steel panel pc, Intel 4th Gen. Core i Processor, 4GB DDR3L RAM, 32G MLC SSD, protection glass, 9~36V DC power input with Adapter, 1,000 nits LCD
ViTAM-916P	15.6" WXGA IP66/IP69K stainless steel panel pc, Intel 4th Gen. Core i Processor, 4GB DDR3L RAM, 32G MLC SSD, projected capacitive touch, 9~36V DC power input with Adapter
ViTAM-916R	15.6" WXGA IP66/IP69K stainless steel panel pc, Intel 4th Gen. Core i Processor, 4GB DDR3L RAM, 32G MLC SSD, 5 wire resistive touch window, 9~36V DC power input with Adapter
ViTAM-916G	15.6" WXGA IP66/IP69K stainless steel panel pc, Intel 4th Gen. Core i Processor, 4GB DDR3L RAM, 32G MLC SSD, protection glass, 9~36V DC power input with Adapter
ViTAM-916PH	15.6" WXGA IP66/IP69K stainless steel panel pc, Intel 4th Gen. Core i Processor, 4GB DDR3L RAM, 32G MLC SSD, projected capacitive touch, 9~36V DC power input with Adapter, 1,000 nits LCD
ViTAM-916RH	15.6" WXGA IP66/IP69K stainless steel panel pc, Intel 4th Gen. Core i Processor, 4GB DDR3L RAM, 32G MLC SSD, 5 wire resistive touch window, 9~36V DC power input with Adapter, 1,000 nits LCD
ViTAM-916GH	15.6" WXGA IP66/IP69K stainless steel panel pc, Intel 4th Gen. Core i Processor, 4GB DDR3L RAM, 32G MLC SSD, protection glass, 9~36V DC power input with Adapter, 1,000 nits LCD
ViTAM-917P	17" SXGA IP66/IP69K stainless steel panel pc, Intel 4th Gen. Core i Processor, 4GB DDR3L RAM, 32G MLC SSD, projected capacitive touch, 9~36V DC power input with Adapter
ViTAM-917R	17" SXGA IP66/IP69K stainless steel panel pc, Intel 4th Gen. Core i Processor, 4GB DDR3L RAM, 32G MLC SSD, 5 wire resistive touch window, 9~36V DC power input with Adapter
ViTAM-917G	17" SXGA IP66/IP69K stainless steel panel pc, Intel 4th Gen. Core i Processor, 4GB DDR3L RAM, 32G MLC SSD, protection glass, 9~36V DC power input with Adapter
ViTAM-917PH	17" SXGA IP66/IP69K stainless steel panel pc, Intel 4th Gen. Core i Processor, 4GB DDR3L RAM, 32G MLC SSD, projected capacitive touch, 9~36V DC power input with Adapter, 1,000 nits LCD
ViTAM-917RH	17" SXGA IP66/IP69K stainless steel panel pc, Intel 4th Gen. Core i Processor, 4GB DDR3L RAM, 32G MLC SSD, 5 wire resistive touch window, 9~36V DC power input with Adapter, 1,000 nits LCD
ViTAM-917GH	17" SXGA IP66/IP69K stainless steel panel pc, Intel 4th Gen. Core i Processor, 4GB DDR3L RAM, 32G MLC SSD, protection glass, 9~36V DC power input with Adapter, 1,000 nits LCD

Model NO.	Description
ViTAM-919P	19" SXGA IP66/IP69K stainless steel panel pc, Intel 4th Gen. Core i Processor, 4GB DDR3L RAM, 32G MLC SSD, projected capacitive touch, 9~36V DC power input with Adapter
ViTAM-919R	19" SXGA IP66/IP69K stainless steel panel pc, Intel 4th Gen. Core i Processor, 4GB DDR3L RAM, 32G MLC SSD, 5 wire resistive touch window, 9~36V DC power input with Adapter
ViTAM-919G	19" SXGA IP66/IP69K stainless steel panel pc, Intel 4th Gen. Core i Processor, 4GB DDR3L RAM, 32G MLC SSD, protection glass, 9~36V DC power input with Adapter
ViTAM-919PH	19" SXGA IP66/IP69K stainless steel panel pc, Intel 4th Gen. Core i Processor, 4GB DDR3L RAM, 32G MLC SSD, projected capacitive touch, 9~36V DC power input with Adapter, 1,000 nits LCD
ViTAM-919RH	19" SXGA IP66/IP69K stainless steel panel pc, Intel 4th Gen. Core i Processor, 4GB DDR3L RAM, 32G MLC SSD, 5 wire resistive touch window, 9~36V DC power input with Adapter, 1,000 nits LCD
ViTAM-919GH	19" SXGA IP66/IP69K stainless steel panel pc, Intel 4th Gen. Core i Processor, 4GB DDR3L RAM, 32G MLC SSD, protection glass, 9~36V DC power input with Adapter, 1,000 nits LCD
ViTAM-921P	21.5" FHD IP66/IP69K stainless steel panel pc, Intel 4th Gen. Core i Processor, 4GB DDR3L RAM, 32G MLC SSD, projected capacitive touch, 9~36V DC power input with Adapter
ViTAM-921R	21.5" FHD IP66/IP69K stainless steel panel pc, Intel 4th Gen. Core i Processor, 4GB DDR3L RAM, 32G MLC SSD, 5 wire resistive touch window, 9~36V DC power input with Adapter
ViTAM-921G	21.5" FHD IP66/IP69K stainless steel panel pc, Intel 4th Gen. Core i Processor, 4GB DDR3L RAM, 32G MLC SSD, protection glass, 9~36V DC power input with Adapter
ViTAM-921PH	21.5" FHD IP66/IP69K stainless steel panel pc, Intel 4th Gen. Core i Processor, 4GB DDR3L RAM, 32G MLC SSD, projected capacitive touch, 9~36V DC power input with Adapter, 1,000 nits LCD
ViTAM-921RH	21.5" FHD IP66/IP69K stainless steel panel pc, Intel 4th Gen. Core i Processor, 4GB DDR3L RAM, 32G MLC SSD, 5 wire resistive touch window, 9~36V DC power input with Adapter, 1,000 nits LCD
ViTAM-921GH	21.5" FHD IP66/IP69K stainless steel panel pc, Intel 4th Gen. Core i Processor, 4GB DDR3L RAM, 32G MLC SSD, protection glass, 9~36V DC power input with Adapter, 1,000 nits LCD
ViTAM-924P	24" FHD IP66/IP69K stainless steel panel pc, Intel 4th Gen. Core i Processor, 4GB DDR3L RAM, 32G MLC SSD, projected capacitive touch, 9~36V DC power input with Adapter
ViTAM-924G	24" FHD IP66/IP69K stainless steel panel pc, Intel 4th Gen. Core i Processor, 4GB DDR3L RAM, 32G MLC SSD, protection glass, 9~36V DC power input with Adapter
ViTAM-924PH	24" FHD IP66/IP69K stainless steel panel pc, Intel 4th Gen. Core i Processor, 4GB DDR3L RAM, 32G MLC SSD, projected capacitive touch, 9~36V DC power input with Adapter, 1,000 nits LCD
ViTAM-924GH	24" FHD IP66/IP69K stainless steel panel pc, Intel 4th Gen. Core i Processor, 4GB DDR3L RAM, 32G MLC SSD, protection glass, 9~36V DC power input with Adapter, 1,000 nits LCD



ViTAM-8XX Series

IP66/IP69K Waterproof

Low Power Consumption Intel® N2930 Panel PC

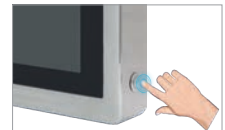
- Onboard Intel Celeron N2930 Processor
- Onboard 4GB/8GB DDR3L
- Fanless Design
- Touch on/off button on the side
- RFID module design on the front side(optional)

Fanless	IP69K	IP66
Wide 9~36V DC Power	-20~60°C	Wide Temp Option
Flat Bezel	Multi Touch Screen	POE
High Brightness	AR Coating	Anti-Glare
RFID		

Support Resistive Touch, Projected Capacitive Touch, and Glass



Touch on/off Button on the Side Edge for Hygienic Cleaning



IP66/IP69K Rated with M12 Connectors



Support Ergonomic Versatile Mounting Space-saving VESA Mounting



Support Wide-Range Temperature -20°~60°C



Specifications



Model Name	ViTAM-810P(H) ViTAM-810R(H) ViTAM-810G(H)	ViTAM-812P(H) ViTAM-812R(H) ViTAM-812G(H)	ViTAM-815P(H) ViTAM-815R(H) ViTAM-815G(H)					
System								
Processor	Onboard Intel Celeron N2930(1.83GHz) Processor							
System Chipset	SoC							
System Memory	Onboard 4GB DDR3L SDRAM , up to 8GB(option)							
External I/O								
USB	1 x M12 8-pin for USB 2.0 with waterproof cover and chain							
Serial/Parallel	1 x M12 8-pin COM1, RS-232/422/485, default RS-232, with waterproof cover and chain							
LAN	1 x M12 8pin for LAN with waterproof cover and chain							
Others	1 x Touch on/off button on the side							
Power connector	1 x M12 3-pin for DC power with waterproof cover and chain 1 x Power switch on the rear side							
Option	2 x optional blank M12 connector with waterproof cover and chain for selecting two from the following options: 2 x USB 2.0 1 x USB 3.0 1 x LAN (POE for option) 1 x COM 1 x CAN							
Storage Space								
HDD	1 x 2.5" SATA3 HDD/SSD							
Expansion								
Expansion Slot	1 x Full-size mini-PCIe socket (PCIe + USB) for WIFI/BT/LTE(optional)							
RFID Module	RFID module design on the front side (optional)							
Display	ViTAM-810P ViTAM-810R ViTAM-810G	ViTAM-810PH ViTAM-810RH ViTAM-810GH	ViTAM-812P ViTAM-812R ViTAM-812G	ViTAM-812PH ViTAM-812RH ViTAM-812GH	ViTAM-815P ViTAM-815R ViTAM-815G	ViTAM-815PH ViTAM-815RH ViTAM-815GH		
Display type	10.1" TFT-LCD	10.1" TFT-LCD	12.1" TFT-LCD		15" TFT-LCD	15" TFT-LCD		
Max. resolution	1280 x 800	1280 x 800	800 x 600	1024 x 768	800 x 600	1024 x 768	1024 x 768	1024 x 768
Max. color	16.7M	16.7M	262K	16.2M	262K	16.2M	16.7M	16.7M
Luminance(cd/m ²)	350	1000	450	500	1000	1000	300	1000
View angle(H°/V°)	170/170	170/170	160/150	160/140	178/178	160/140	176/176	160/160
Contrast	800:1	800:1	1500:1	700:1	700:1	700:1	2000:1	800:1
Backlight lifetime(hrs)	25000	50000	50000	30000	50000	50000	70000	50000
Touch Screen								
Type	Resistive Touch(For R model) Projected Capacitive(For P model) Glass(For G model)							
Interface	USB							
Light transmission(%)	Resistive Touch : 80% Projected Capacitive : 90%							
Power								
Power input	DC 9~36V							
Power Consumption (TYP.)	ViTAM-810P:17W		ViTAM-812P:21W		ViTAM-815P:19W			
Mechanical								
Construction	304 Stainless steel chassis(default), 316 Stainless steel chassis(optional)							
IP rating	Total IP66/IP69K							
Mounting	VESA mount 75 x75, Yoke mount for optional							
Dimension(mm)	300 x 220 x 53		335 x 265 x 53		399 x 324 x 53			
Net weight(Kg)	4.0		5.0		7.4			
Environment								
Operating temperature(°C)	0 ~ 50/-20~60(option)							
Storage temperature(°C)	-30~70							
Humidity	10 to 95% @ 40°C, non- condensing							
Certification	CE/FCC Class A							
Operating System Support								
Windows Embedded 7 Windows Embedded 8.1 Windows 10 IoT ENT LTSC								

ViTAM-8XX Series

Low Power Consumption Intel® N2930 Panel PC



Specifications

Model Name	ViTAM-816P(H) ViTAM-816R(H) ViTAM-816G(H)	ViTAM-817P(H) ViTAM-817R(H) ViTAM-817G(H)	ViTAM-819P(H) ViTAM-819R(H) ViTAM-819G(H)			
System						
Processor	Onboard Intel Celeron N2930(1.83GHz) Processor					
System Chipset	SoC					
System Memory	Onboard 4GB DDR3L SDRAM , up to 8GB(option)					
External I/O						
USB	1 x M12 8-pin for USB 2.0 with waterproof cover and chain					
Serial/Parallel	1 x M12 8-pin for COM1, RS-232/422/485, Default RS-232, with waterproof cover and chain					
LAN	1 x M12 8pin for LAN with waterproof cover and chain					
Others	1 x Touch on/off button on the side					
Power connector	1 x M12 3pin for DC Power with waterproof cover and chain, 1 x Power Switch on the rear side					
Option	2 x optional blank M12 connector with waterproof cover and chain for selecting two from the following options: 2 x USB 2.0 1 x USB 3.0 1 x LAN (POE for option) 1 x COM 1 x CAN					
Storage Space						
HDD	1 x 2.5" SATA3 HDD/SSD					
Expansion						
Expansion Slot	1 x Full-size mini-PCIe socket (PCIe + USB) for WIFI/BT/LTE(optional)					
RFID Module	RFID module design on the front side (optional)					
Display	ViTAM-816P ViTAM-816R ViTAM-816G	ViTAM-816PH ViTAM-816RH ViTAM-816GH	ViTAM-817P ViTAM-817R ViTAM-817G	ViTAM-817PH ViTAM-817RH ViTAM-817GH	ViTAM-819P ViTAM-819R ViTAM-819G	ViTAM-819PH ViTAM-819RH ViTAM-819GH
Display type	15.6" TFT-LCD	15.6" TFT-LCD	17" TFT-LCD	17" TFT-LCD	19" TFT-LCD	19" TFT-LCD
Max. resolution	1366 x 768	1366 x 768	1280 x 1024	1280 x 1024	1280 x 1024	1280 x 1024
Max. color	16.7M	16.7M	16.7M	16.7M	16.7M	16.7M
Luminance(cd/m ²)	300	1000	350	1000	350	1000
View angle(H°/V°)	160/160	170/170	160/140	170/160	170/160	170/160
Contrast	500:1	800:1	800:1	800:1	1000:1	1000:1
Backlight lifetime(hrs)	50000	50000	50000	50000	50000	30000
Touch Screen						
Type	Resistive Touch(For R model) Projected Capacitive(For P model) Glass(For G model)					
Interface	USB					
Light transmission(%)	Resistive Touch : 80% Projected Capacitive : 90%					
Power						
Power input	DC 9~36V					
Power Consumption (TYP.)	ViTAM-816P:24W		ViTAM-817P:29W		ViTAM-819P:30W	
Mechanical						
Construction	304 Stainless steel chassis(default), 316 Stainless steel chassis(optional)					
IP rating	Total IP66/IP69K					
Mounting	VESA mount 75 x75, Yoke mount for optional				VESA mount 100 x 100, Yoke mount for optional	
Dimension(mm)	440 x 290 x 55		432 x 358 x 55		470 x 388.6 x 60	
Net weight(Kg)	5.2		7.1		9.5	
Environment						
Operating temperature(°C)	0~50					
Storage temperature(°C)	-30~70					
Humidity	10 to 95% @ 40°C, non- condensing					
Certification	CE/FCC Class A					
Operating System Support						
Windows Embedded 7 Windows Embedded 8.1 Windows 10 IoT ENT LTSB						

Specifications

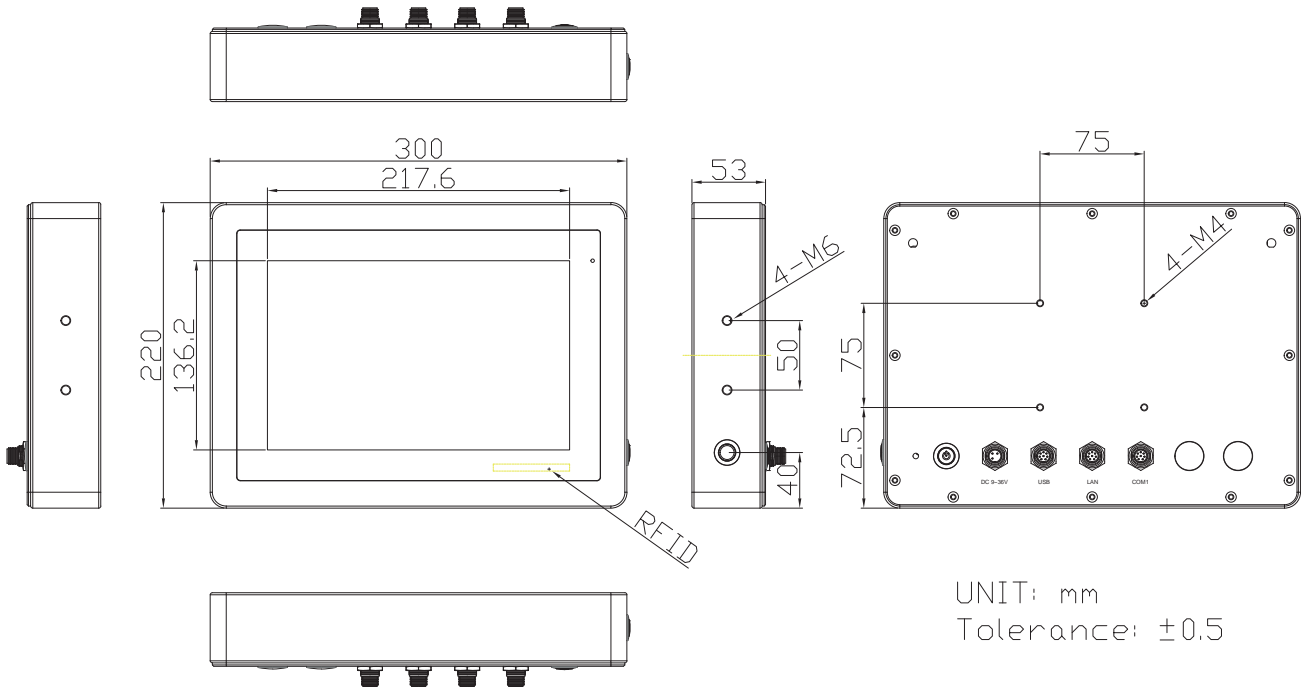


Model Name	ViTAM-821P(H) ViTAM-821R(H) ViTAM-821G(H)		ViTAM-824P(H) ViTAM-824G(H)	
System				
Processor	Onboard Intel Celeron N2930(1.83GHz) Processor			
System Chipset	SoC			
System Memory	Onboard 4GB DDR3L SDRAM , up to 8GB(option)			
External I/O				
USB	1 x M12 8-pin for USB 2.0 with waterproof cover and chain			
Serial/Parallel	1 x M12 8-pin for COM1, RS-232/422/485, Default RS-232, with waterproof cover and chain			
LAN	1 x M12 8pin for LAN with waterproof cover and chain			
Others	1 x Touch on/off button on the side			
Power connector	1 x M12 3pin for DC Power with waterproof cover and chain 1 x Power Switch on the rear rear side			
Option	2 x optional blank M12 connector with waterproof cover and chain for selecting two from the following options: 2 x USB 2.0 1 x USB 3.0 1 x LAN (POE for option) 1 x COM 1 x CAN			
Storage Space				
HDD	1 x 2.5" SATA3 HDD/SSD			
Expansion				
Expansion Slot	1 x Full-size mini-PCle socket (PCle + USB) for WIFI/BT/LTE(optional)			
RFID Module	RFID module design on the front side (optional)			
Display				
	ViTAM-821P ViTAM-821R ViTAM-821G	ViTAM-821PH ViTAM-821RH ViTAM-821GH	ViTAM-824P ViTAM-824G	ViTAM-824PH ViTAM-824GH
Display type	21.5" TFT-LCD	21.5" TFT-LCD	23.8" TFT-LCD	23.8" TFT-LCD
Max. resolution	1920 x 1080	1920 x 1080	1920 x 1080	1920 x 1080
Max. color	16.7M	16.7M	16.7M	16.7M
Luminance(cd/m ²)	250	1000	250	1000
View angle(H°/V°)	178/178	178/178	178/178	178/178
Contrast	3000:1	3000:1	3000:1	5000:1
Backlight lifetime(hrs)	30000	50000	30000	50000
Touch Screen				
Type	Resistive Touch(For R model) Projected Capacitive(For P model) Glass(For G model)			
Interface	USB			
Light transmission(%)	Resistive Touch : 80% Projected Capacitive : 90%			
Power				
Power input	DC 9~36V			
Power Consumption (TYP.)	ViTAM-821R:30W		ViTAM-824P:43W	
Mechanical				
Construction	304 Stainless steel chassis(default), 316 Stainless steel chassis(optional)			
IP rating	Total IP66/IP69K			
Mounting	VESA mount 100 x100, Yoke mount for optional		VESA mount 200 x100, Yoke mount for optional	
Dimension(mm)	571 x 362 x 55		656 x 423 x 53	
Net weight(Kg)	10.0		12.5	
Environment				
Operating temperature(°C)	0 ~ 50 (0~40 for 21.5" high brightness model)			
Storage temperature(°C)	-30~70			
Humidity	10 to 95% @ 40°C, non- condensing			
Certification	CE/FCC Class A			
Operating System Support				
Windows Embedded 7 Windows Embedded 8.1 Windows 10 IoT ENT LTSC				

ViTAM-8XX Series

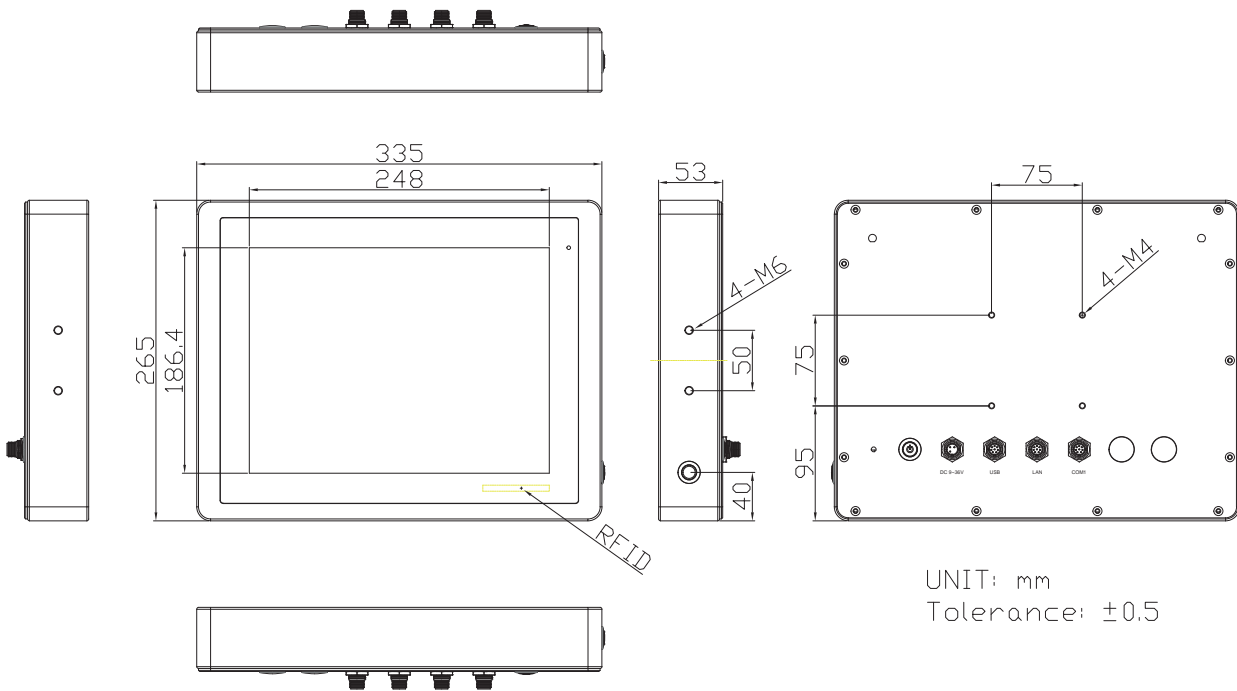
Low Power Consumption Intel® N2930 Panel PC

ViTAM-810P/R/G(H)



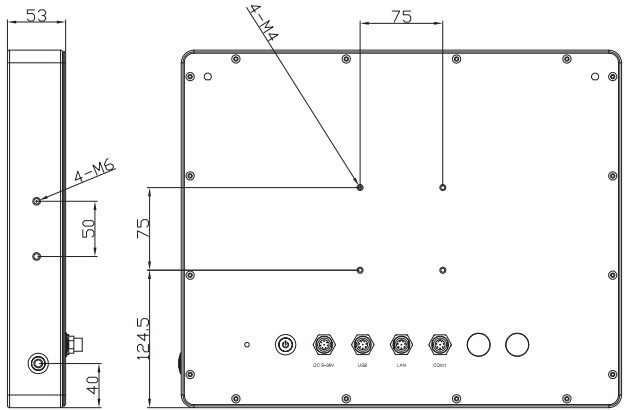
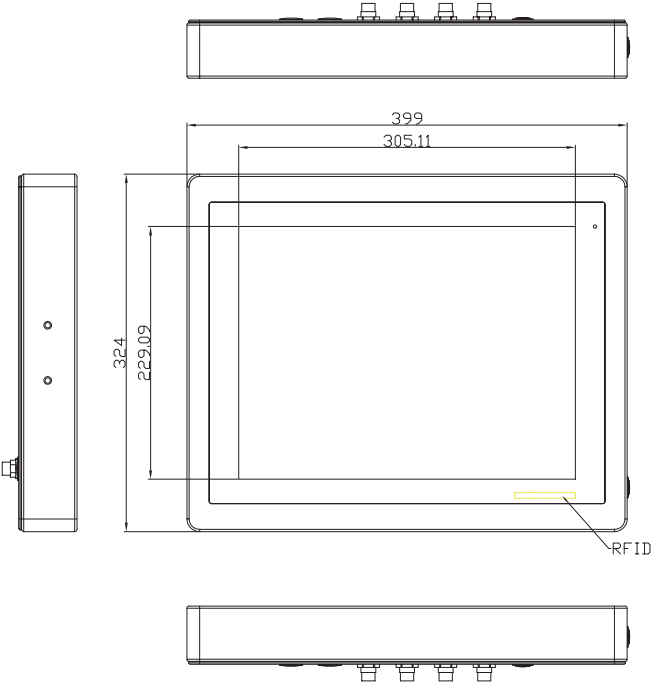
unit:mm

ViTAM-812P/R/G(H)



unit:mm

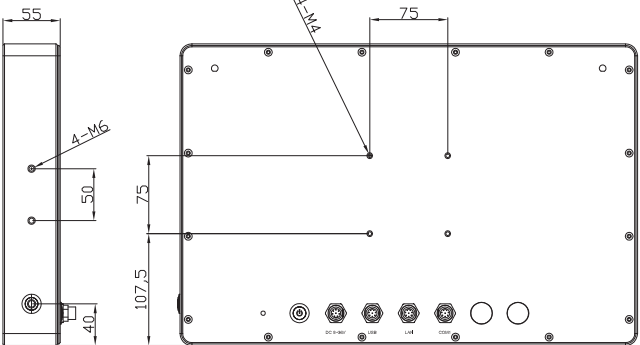
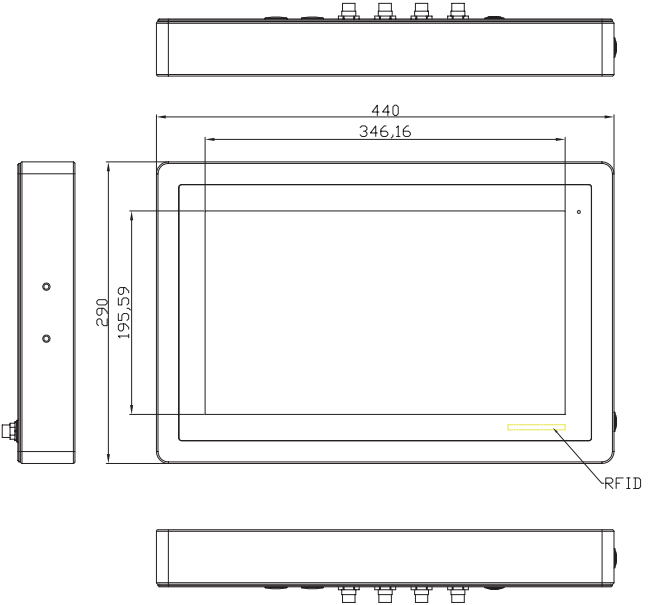
ViTAM-815P/R/G(H)



UNIT: mm
Tolerance: ±0.5

unit:mm

ViTAM-816P/R/G(H)



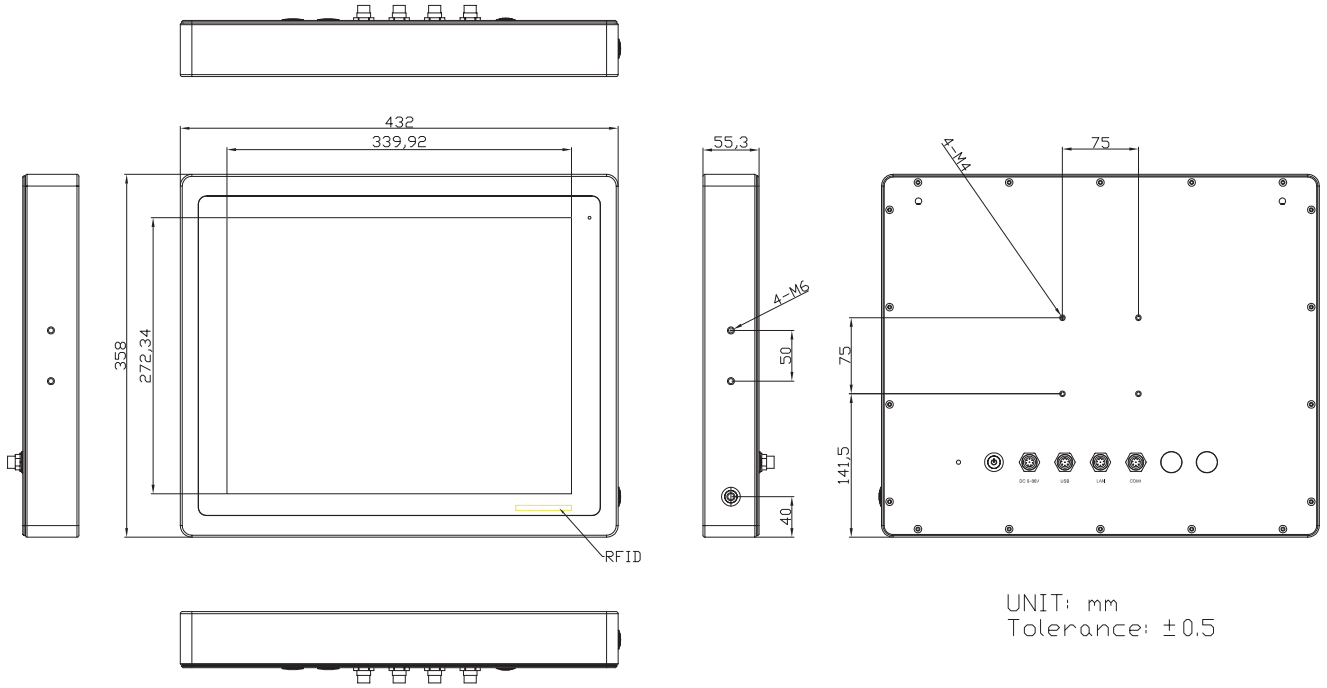
UNIT: mm
Tolerance: ±0.5

unit:mm

ViTAM-8XX Series

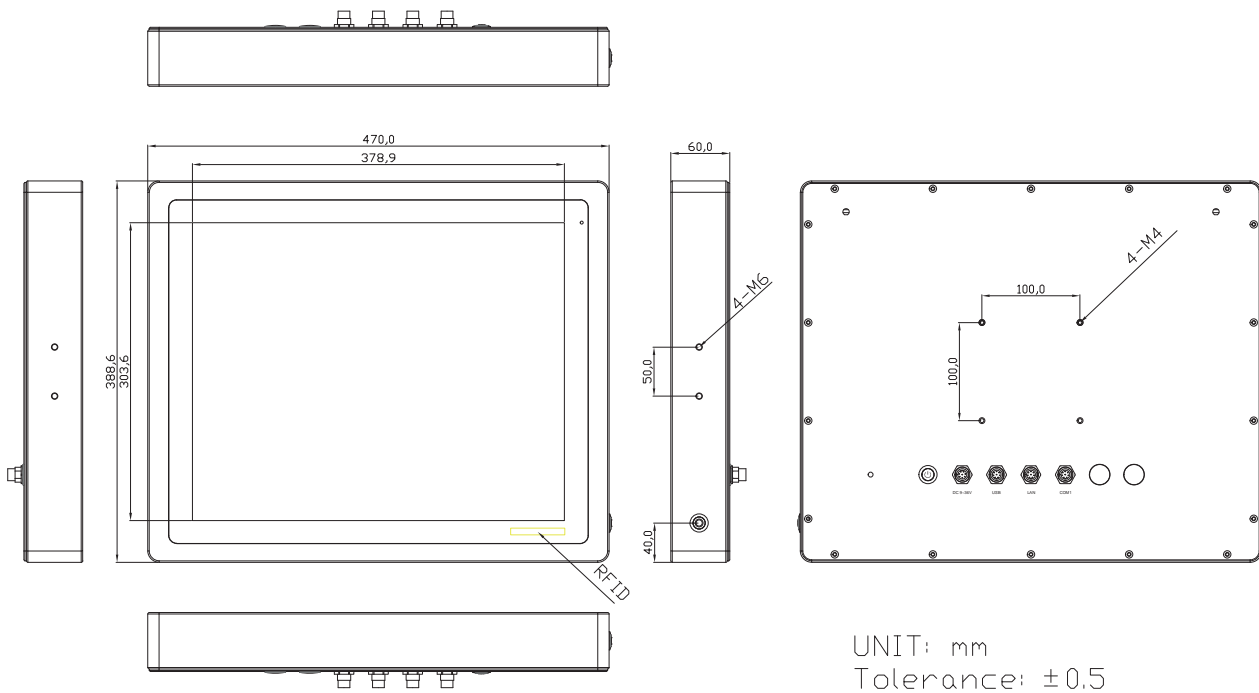
Low Power Consumption Intel® N2930 Panel PC

ViTAM-817P/R/G(H)



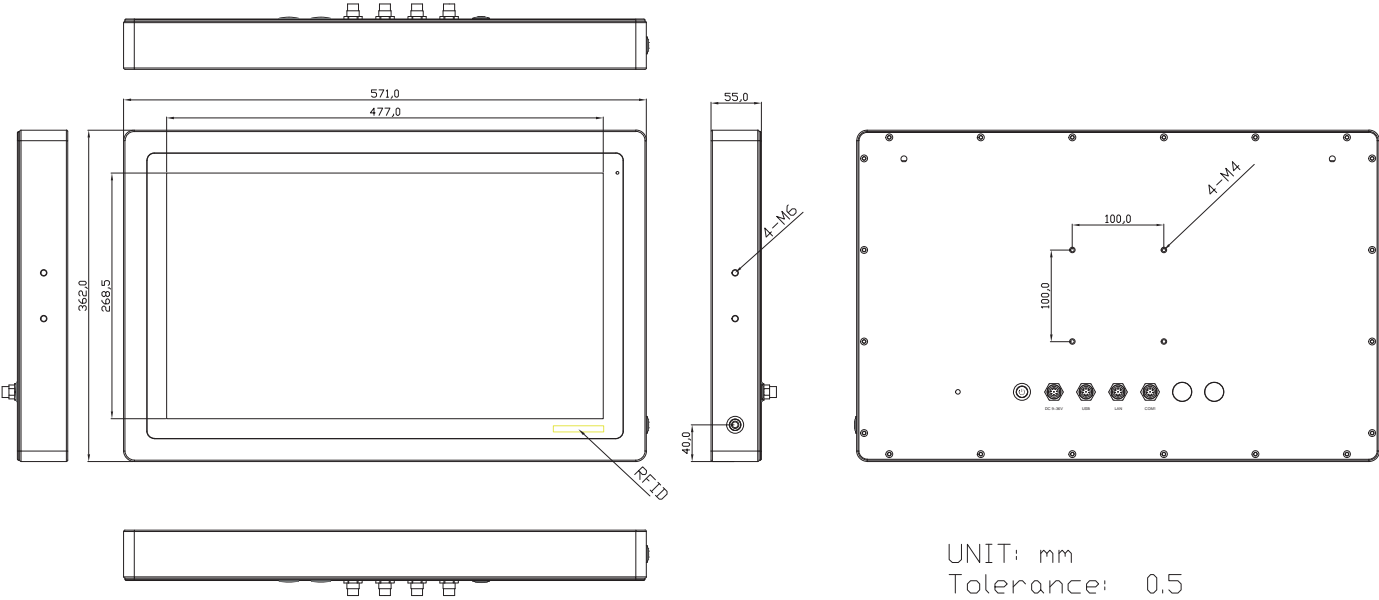
unit:mm

ViTAM-819P/R/G(H)



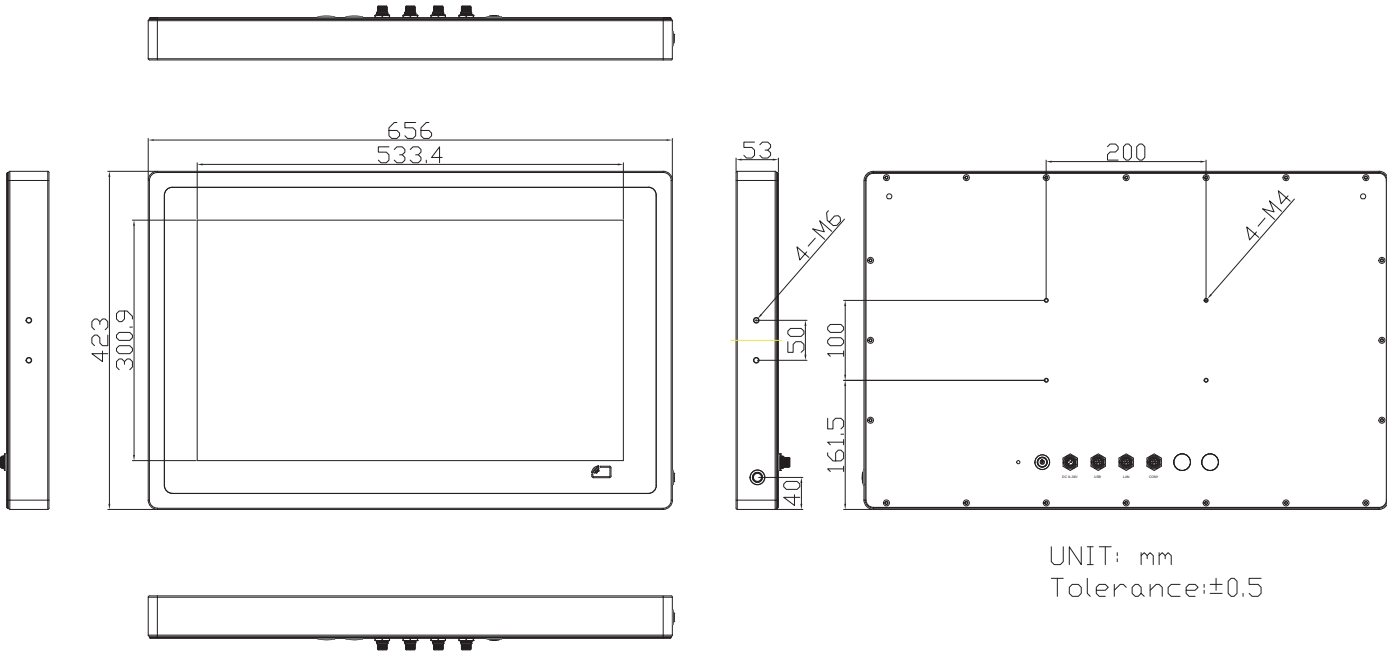
unit:mm

ViTAM-821P/R/G(H)



unit:mm

ViTAM-824P/G(H)



unit:mm

Ordering information

Model NO.	Description
ViTAM-810P	10.1" WXGA IP66/IP69K stainless steel panel pc, Celeron N2930 Processor, 4GB DDR3L RAM, 32G MLC SSD, projected capacitive touch, 9~36V DC power input with Adapter
ViTAM-810R	10.1" WXGA IP66/IP69K stainless steel panel pc, Celeron N2930 Processor, 4GB DDR3L RAM, 32G MLC SSD, 5 wire resistive touch window, 9~36V DC power input with Adapter
ViTAM-810G	10.1" WXGA IP66/IP69K stainless steel panel pc, Celeron N2930 Processor, 4GB DDR3L RAM, 32G MLC SSD, protection glass, 9~36V DC power input with Adapter
ViTAM-810PH	10.1" WXGA IP66/IP69K stainless steel panel pc, Celeron N2930 Processor, 4GB DDR3L RAM, 32G MLC SSD, projected capacitive touch, 9~36V DC power input with Adapter, 1,000 nits LCD
ViTAM-810RH	10.1" WXGA IP66/IP69K stainless steel panel pc, Celeron N2930 Processor, 4GB DDR3L RAM, 32G MLC SSD, 5 wire resistive touch window, 9~36V DC power input with Adapter, 1,000 nits LCD
ViTAM-810GH	10.1" WXGA IP66/IP69K stainless steel panel pc, Celeron N2930 Processor, 4GB DDR3L RAM, 32G MLC SSD, protection glass, 9~36V DC power input with Adapter, 1,000 nits LCD
ViTAM-812P	12.1" SVGA IP66/IP69K stainless steel panel pc, Celeron N2930 Processor, 4GB DDR3L RAM, 32G MLC SSD, projected capacitive touch, 9~36V DC power input with Adapter
ViTAM-812R	12.1" SVGA IP66/IP69K stainless steel panel pc, Celeron N2930 Processor, 4GB DDR3L RAM, 32G MLC SSD, 5 wire resistive touch window, 9~36V DC power input with Adapter
ViTAM-812G	12.1" SVGA IP66/IP69K stainless steel panel pc, Celeron N2930 Processor, 4GB DDR3L RAM, 32G MLC SSD, protection glass, 9~36V DC power input with Adapter
ViTAM-812PH	12.1" SVGA IP66/IP69K stainless steel panel pc, Celeron N2930 Processor, 4GB DDR3L RAM, 32G MLC SSD, projected capacitive touch, 9~36V DC power input with Adapter, 1,000 nits LCD
ViTAM-812RH	12.1" SVGA IP66/IP69K stainless steel panel pc, Celeron N2930 Processor, 4GB DDR3L RAM, 32G MLC SSD, 5 wire resistive touch window, 9~36V DC power input with Adapter, 1,000 nits LCD
ViTAM-812GH	12.1" SVGA IP66/IP69K stainless steel panel pc, Celeron N2930 Processor, 4GB DDR3L RAM, 32G MLC SSD, protection glass, 9~36V DC power input with Adapter, 1,000 nits LCD
ViTAM-815P	15" XGA IP66/IP69K stainless steel panel pc, Celeron N2930 Processor, 4GB DDR3L RAM, 32G MLC SSD, projected capacitive touch, 9~36V DC power input with Adapter
ViTAM-815R	15" XGA IP66/IP69K stainless steel panel pc, Celeron N2930 Processor, 4GB DDR3L RAM, 32G MLC SSD, 5 wire resistive touch window, 9~36V DC power input with Adapter
ViTAM-815G	15" XGA IP66/IP69K stainless steel panel pc, Celeron N2930 Processor, 4GB DDR3L RAM, 32G MLC SSD, protection glass, 9~36V DC power input with Adapter
ViTAM-815PH	15" XGA IP66/IP69K stainless steel panel pc, Celeron N2930 Processor, 4GB DDR3L RAM, 32G MLC SSD, projected capacitive touch, 9~36V DC power input with Adapter, 1,000 nits LCD
ViTAM-815RH	15" XGA IP66/IP69K stainless steel panel pc, Celeron N2930 Processor, 4GB DDR3L RAM, 32G MLC SSD, 5 wire resistive touch window, 9~36V DC power input with Adapter, 1,000 nits LCD
ViTAM-815GH	15" XGA IP66/IP69K stainless steel panel pc, Celeron N2930 Processor, 4GB DDR3L RAM, 32G MLC SSD, protection glass, 9~36V DC power input with Adapter, 1,000 nits LCD
ViTAM-816P	15.6" WXGA IP66/IP69K stainless steel panel pc, Celeron N2930 Processor, 4GB DDR3L RAM, 32G MLC SSD, projected capacitive touch, 9~36V DC power input with Adapter
ViTAM-816R	15.6" WXGA IP66/IP69K stainless steel panel pc, Celeron N2930 Processor, 4GB DDR3L RAM, 32G MLC SSD, 5 wire resistive touch window, 9~36V DC power input with Adapter
ViTAM-816G	15.6" WXGA IP66/IP69K stainless steel panel pc, Celeron N2930 Processor, 4GB DDR3L RAM, 32G MLC SSD, protection glass, 9~36V DC power input with Adapter
ViTAM-816PH	15.6" WXGA IP66/IP69K stainless steel panel pc, Celeron N2930 Processor, 4GB DDR3L RAM, 32G MLC SSD, projected capacitive touch, 9~36V DC power input with Adapter, 1,000 nits LCD
ViTAM-816RH	15.6" WXGA IP66/IP69K stainless steel panel pc, Celeron N2930 Processor, 4GB DDR3L RAM, 32G MLC SSD, 5 wire resistive touch window, 9~36V DC power input with Adapter, 1,000 nits LCD
ViTAM-816GH	15.6" WXGA IP66/IP69K stainless steel panel pc, Celeron N2930 Processor, 4GB DDR3L RAM, 32G MLC SSD, protection glass, 9~36V DC power input with Adapter, 1,000 nits LCD

Ordering information

ViTAM-817P	17" SXGA IP66/IP69K stainless steel panel pc, Celeron N2930 Processor, 4GB DDR3L RAM, 32G MLC SSD, projected capacitive touch, 9~36V DC power input with Adapter
ViTAM-817R	17" SXGA IP66/IP69K stainless steel panel pc, Celeron N2930 Processor, 4GB DDR3L RAM, 32G MLC SSD, 5 wire resistive touch window, 9~36V DC power input with Adapter
ViTAM-817G	17" SXGA IP66/IP69K stainless steel panel pc, Celeron N2930 Processor, 4GB DDR3L RAM, 32G MLC SSD, protection glass, 9~36V DC power input with Adapter
ViTAM-817PH	17" SXGA IP66/IP69K stainless steel panel pc, Celeron N2930 Processor, 4GB DDR3L RAM, 32G MLC SSD, projected capacitive touch, 9~36V DC power input with Adapter, 1,000 nits LCD
ViTAM-817RH	17" SXGA IP66/IP69K stainless steel panel pc, Celeron N2930 Processor, 4GB DDR3L RAM, 32G MLC SSD, 5 wire resistive touch window, 9~36V DC power input with Adapter, 1,000 nits LCD
ViTAM-817GH	17" SXGA IP66/IP69K stainless steel panel pc, Celeron N2930 Processor, 4GB DDR3L RAM, 32G MLC SSD, protection glass, 9~36V DC power input with Adapter, 1,000 nits LCD
ViTAM-819P	19" SXGA IP66/IP69K stainless steel panel pc, Celeron N2930 Processor, 4GB DDR3L RAM, 32G MLC SSD, projected capacitive touch, 9~36V DC power input with Adapter
ViTAM-819R	19" SXGA IP66/IP69K stainless steel panel pc, Celeron N2930 Processor, 4GB DDR3L RAM, 32G MLC SSD, 5 wire resistive touch window, 9~36V DC power input with Adapter
ViTAM-819G	19" SXGA IP66/IP69K stainless steel panel pc, Celeron N2930 Processor, 4GB DDR3L RAM, 32G MLC SSD, protection glass, 9~36V DC power input with Adapter
ViTAM-819PH	19" SXGA IP66/IP69K stainless steel panel pc, Celeron N2930 Processor, 4GB DDR3L RAM, 32G MLC SSD, projected capacitive touch, 9~36V DC power input with Adapter, 1,000 nits LCD
ViTAM-819RH	19" SXGA IP66/IP69K stainless steel panel pc, Celeron N2930 Processor, 4GB DDR3L RAM, 32G MLC SSD, 5 wire resistive touch window, 9~36V DC power input with Adapter, 1,000 nits LCD
ViTAM-819GH	19" SXGA IP66/IP69K stainless steel panel pc, Celeron N2930 Processor, 4GB DDR3L RAM, 32G MLC SSD, protection glass, 9~36V DC power input with Adapter, 1,000 nits LCD
ViTAM-821P	21.5" FHD IP66/IP69K stainless steel panel pc, Celeron N2930 Processor, 4GB DDR3L RAM, 32G MLC SSD, projected capacitive touch, 9~36V DC power input with Adapter
ViTAM-821R	21.5" FHD IP66/IP69K stainless steel panel pc, Celeron N2930 Processor, 4GB DDR3L RAM, 32G MLC SSD, 5 wire resistive touch window, 9~36V DC power input with Adapter
ViTAM-821G	21.5" FHD IP66/IP69K stainless steel panel pc, Celeron N2930 Processor, 4GB DDR3L RAM, 32G MLC SSD, protection glass, 9~36V DC power input with Adapter
ViTAM-821PH	21.5" FHD IP66/IP69K stainless steel panel pc, Celeron N2930 Processor, 4GB DDR3L RAM, 32G MLC SSD, projected capacitive touch, 9~36V DC power input with Adapter, 1,000 nits LCD
ViTAM-821RH	21.5" FHD IP66/IP69K stainless steel panel pc, Celeron N2930 Processor, 4GB DDR3L RAM, 32G MLC SSD, 5 wire resistive touch window, 9~36V DC power input with Adapter, 1,000 nits LCD
ViTAM-821GH	21.5" FHD IP66/IP69K stainless steel panel pc, Celeron N2930 Processor, 4GB DDR3L RAM, 32G MLC SSD, protection glass, 9~36V DC power input with Adapter, 1,000 nits LCD
ViTAM-824P	23.8" FHD IP66/IP69K stainless steel panel pc, Celeron N2930 Processor, 4GB DDR3L RAM, 32G MLC SSD, projected capacitive touch, 9~36V DC power input with Adapter
ViTAM-824G	23.8" FHD IP66/IP69K stainless steel panel pc, Celeron N2930 Processor, 4GB DDR3L RAM, 32G MLC SSD, protection glass, 9~36V DC power input with Adapter
ViTAM-824PH	23.8" FHD IP66/IP69K stainless steel panel pc, Celeron N2930 Processor, 4GB DDR3L RAM, 32G MLC SSD, projected capacitive touch, 9~36V DC power input with Adapter, 1,000 nits LCD
ViTAM-824GH	23.8" FHD IP66/IP69K stainless steel panel pc, Celeron N2930 Processor, 4GB DDR3L RAM, 32G MLC SSD, protection glass, 9~36V DC power input with Adapter, 1,000 nits LCD



ViTAM-6XX Series

IP66/IP69K Waterproof

Freescale i.MX6 Panel PC

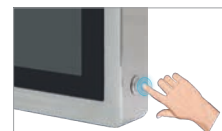
- Freescale i.MX6 DualLite Core Processor
- Onboard 4GB eMMC NAND Flash
- Onboard 1GB/2GB DDR3 DRAM
- Fanless Design
- RFID Module design on the front side(optional)

ARM	IP69K	IP66
Wide 9~36V DC Power	-20~60°C	Wide Temp Option
Flat Bezel	Multi Touch Screen	POE
High Brightness	AR Coating	Anti-Glare
RFID	CAN Bus	Fanless

Support Resistive Touch,
Projected Capacitive
Touch, and Glass



Touch on/off Button
on the Side Edge for
Hygienic Cleaning



IP66/IP69K Rated
with M12 Connectors



Support Ergonomic
Versatile Mounting
Space-saving VESA
Mounting



Support Wide-Range
Temperature -20°~60°C



Specifications

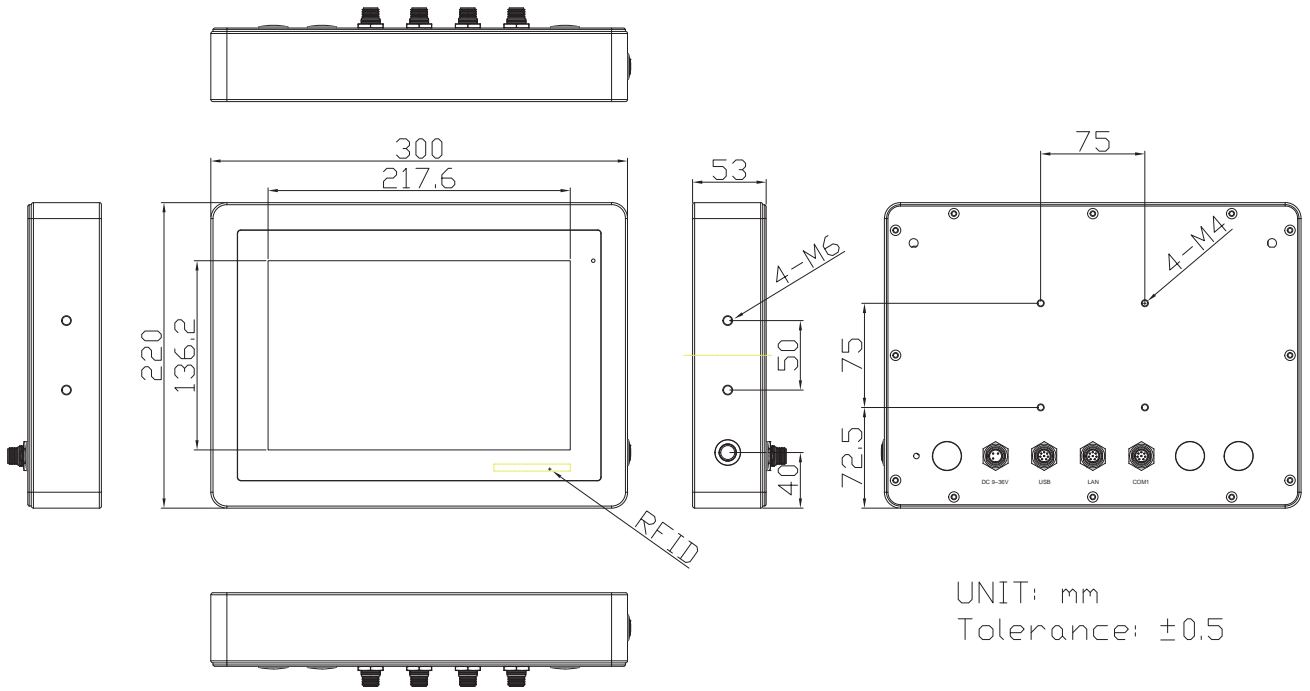


Model Name	ViTAM-610P(H) ViTAM-610R(H) ViTAM-610G(H)	ViTAM-612P(H) ViTAM-612R(H) ViTAM-612G(H)	ViTAM-615P(H) ViTAM-615R(H) ViTAM-615G(H)	ViTAM-621P(H) ViTAM-621R(H) ViTAM-621G(H)				
System								
Processor	Freescale i.MX6 Dual Lite, ARM Cortex A9(2x Cores, 1.0GHz)							
System Chipset	N/A							
System Memory	Onboard 1GB DDR3 SDRAM							
External I/O								
USB	1 x M12 8-pin for USB 2.0 with waterproof cover and chain							
Serial/Parallel	1 x M12 8-pin COM1, RS-232/422/485, default RS-232, with waterproof cover and chain							
LAN	1 x M12 8-pin for LAN with waterproof cover and chain(POE for option)			1 x M12 8-pin for LAN with waterproof cover and chain				
Others	1 x Touch on/off button on the side							
Power connector	1 x M12 3-pin for DC power with waterproof cover and chain 1 x Power switch on the rear side							
Option	1 x RS-232/422/485 1 x 8-bit GPIO 1 x CAN 1 x POE via AG5300							
Storage Space								
eMMC	Onboard 4GB eMMC NAND Flash							
Expansion								
Expansion Slot	1 x Full-size mini-PCIe socket (PCIe + USB) for WIFI/BT/LTE(optional)							
RFID Module	RFID module design on the front side (optional)							
Display	ViTAM-610P ViTAM-610R ViTAM-610G	ViTAM-610PH ViTAM-610RH ViTAM-610GH	ViTAM-612P ViTAM-612R ViTAM-612G	ViTAM-612PH ViTAM-612RH ViTAM-612GH	ViTAM-615P ViTAM-615R ViTAM-615G	ViTAM-615PH ViTAM-615RH ViTAM-615GH	ViTAM-621PH ViTAM-621RH ViTAM-621GH	ViTAM-621PH ViTAM-621RH ViTAM-621GH
Display type	10.1" TFT-LCD	10.1" TFT-LCD	12.1" TFT-LCD	12.1" TFT-LCD	15" TFT-LCD	15" TFT-LCD	21.5" TFT-LCD	21.5" TFT-LCD
Max. resolution	1280 x 800	1280 x 800	800 x 600 1024x768(optional)	800 x 600 1024x768(optional)	1024 x 768	1024 x 768	1920 x 1080	1920 x 1080
Max. color	16.7M	16.7M	262K 16.2M(optional)	262K 16.2M(optional)	16.7M	16.7M	16.7M	16.7M
Luminance(cd/m ²)	350	1000	400/500(optional)	1000	300	1000	250	1000
View angle(H°/V°)	170/170	170/170	160/150 160/140(optional)	178/178 160/140(optional)	176/176	160/160	178/178	178/178
Contrast	800:1	800:1	1500:1 700:1(optional)	700:1	2000:1	800:1	3000:1	3000:1
Backlight lifetime(hrs)	25000	50000	50000 30000(optional)	50000	70000	50000	30000	50000
Touch Screen								
Type	Resistive Touch(For R model) Projected Capacitive(For P model) Glass(For G model)							
Interface	SPI / USB(For P model)							
Light transmission(%)	Resistive Touch : 80% Projected Capacitive : 90%							
Power								
Power input	DC 9~36V			DC 12~36V				
Power Consumption (TYP.)	ViTAM-610P:10W	ViTAM-612P:12W	ViTAM-615P:12W	ViTAM-621P:22W				
Mechanical								
Construction	304 Stainless steel chassis(default), 316 Stainless steel chassis(optional)							
IP rating	Total IP66/IP69K							
Mounting	VESA mount 75 x75, Yoke mount for optional			VESA mount 100 x 100, Yoke mount for optional				
Dimension(mm)	300 x 220 x 53	335 x 265 x 53	399 x 324 x 53	571 x 362 x 55				
Net weight(Kg)	3.8	4.7	7.1	9.8				
Environment								
Operating temperature(°C)	0~50							
Storage temperature(°C)	-30~70							
Humidity	10 to 95% @ 40°C, non- condensing							
Certification	CE/FCC Class A							
Operating System Support								
Android 6.0.1 Linux 4.1.15								

ViTAM-6XX Series

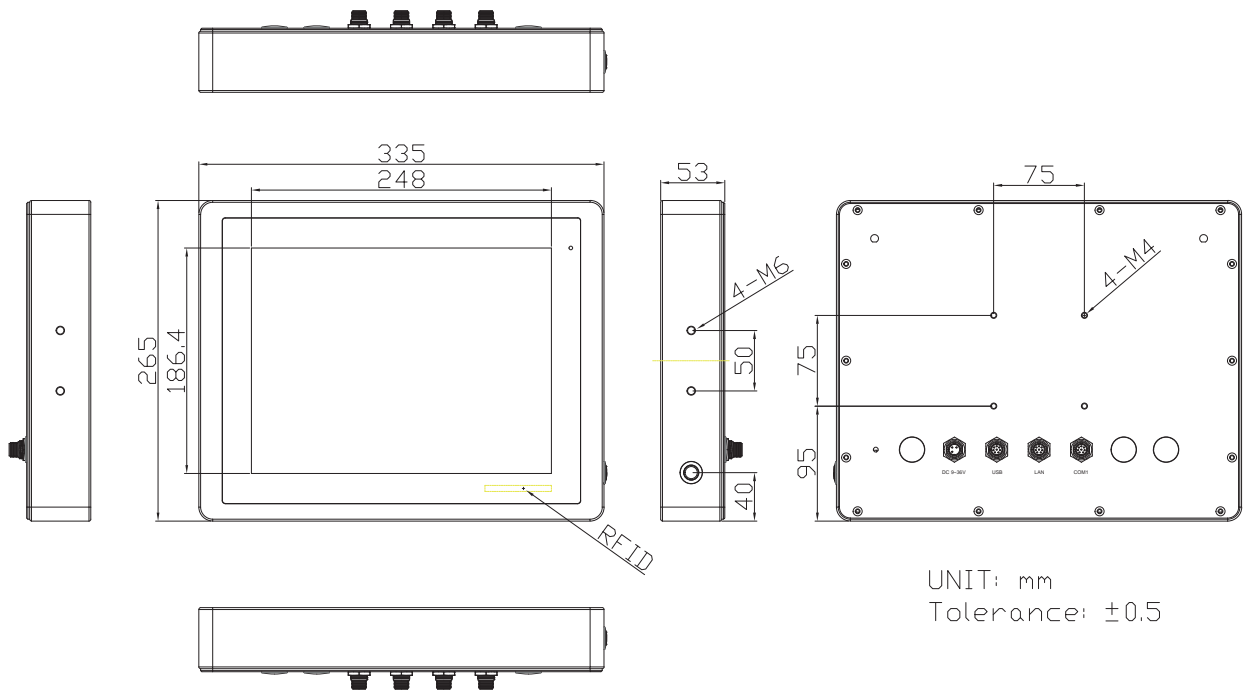
Freescale i.MX6 IP66/IP69K Panel PC

ViTAM-610P/R/G(H)



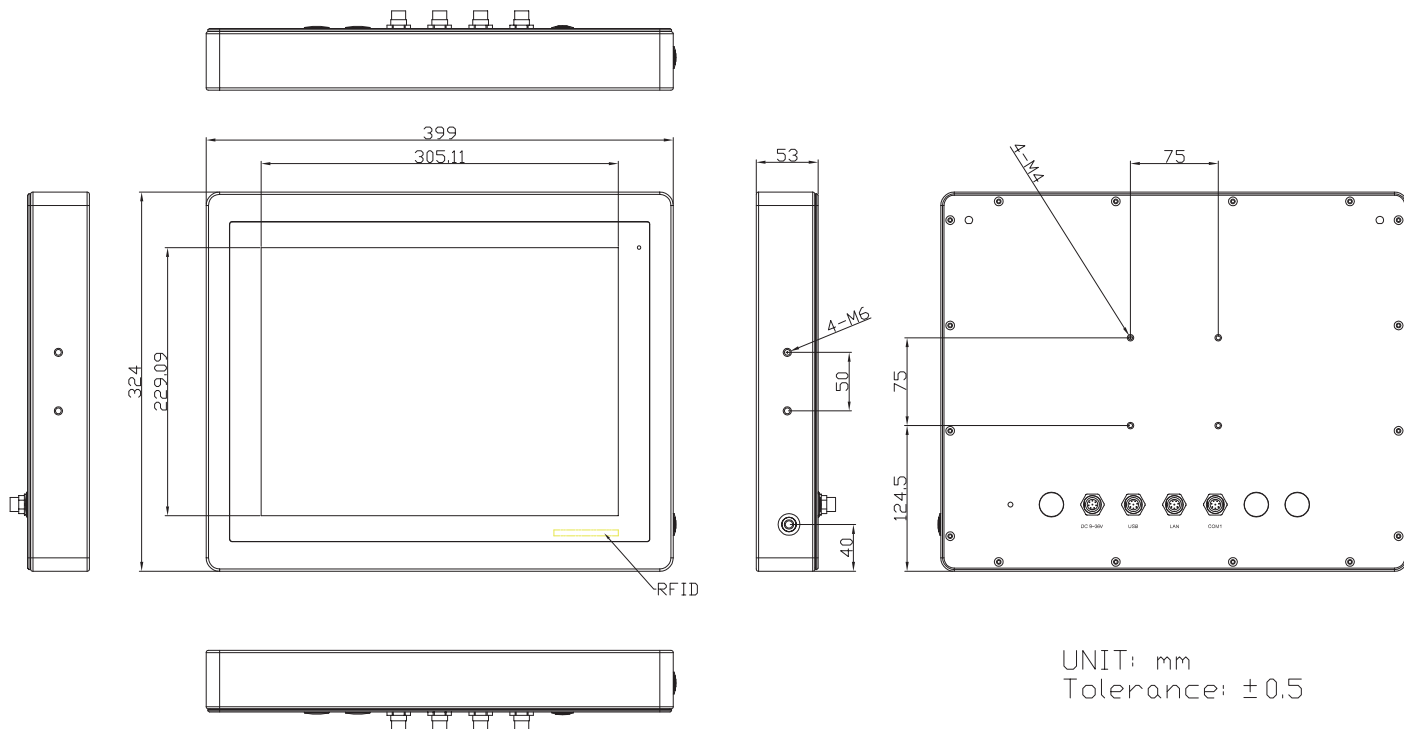
unit:mm

ViTAM-612P/R/G(H)



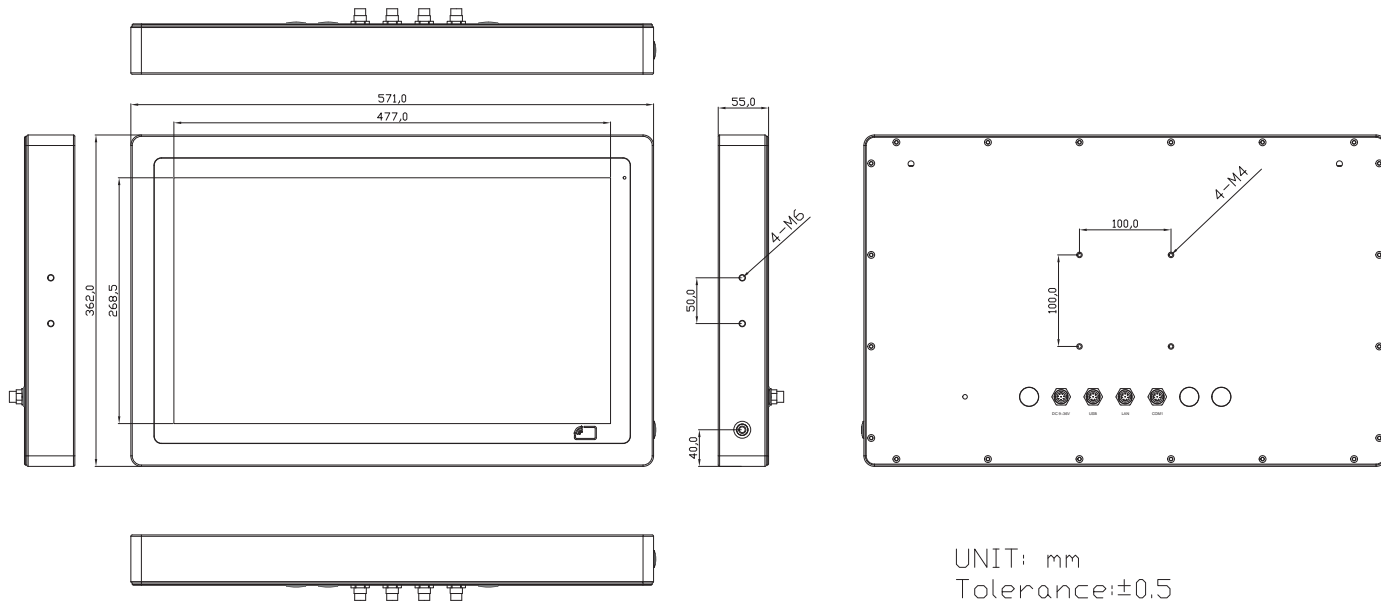
unit:mm

ViTAM-615P/R/G(H)



unit:mm

ViTAM-621P/R/G(H)



unit:mm

Ordering information

Model NO.	Description
ViTAM-610P	10.1" WXGA IP66/IP69K stainless steel panel pc, Freescale i.MX6 Dual Lite ARM Cortex A9,1GB DDR3 RAM,4GB eMMC, projected capacitive touch, 9~36V DC power input with Adapter
ViTAM-610R	10.1" WXGA IP66/IP69K stainless steel panel panel pc, Freescale i.MX6 Dual Lite ARM Cortex A9,1GB DDR3 RAM,4GB eMMC, 5 wire resistive touch window, 9~36V DC power input with Adapter
ViTAM-610G	10.1" WXGA IP66/IP69K stainless steel panel pc, Freescale i.MX6 Dual Lite ARM Cortex A9,1GB DDR3 RAM,4GB eMMC, protection glass, 9~36V DC power input with Adapter
ViTAM-610PH	10.1" WXGA IP66/IP69K stainless steel panel pc, Freescale i.MX6 Dual Lite ARM Cortex A9,1GB DDR3 RAM,4GB eMMC, projected capacitive touch, 9~36V DC power input with Adapter, 1,000 nits LCD
ViTAM-610RH	10.1" WXGA IP66/IP69K stainless steel panel panel pc, Freescale i.MX6 Dual Lite ARM Cortex A9,1GB DDR3 RAM,4GB eMMC, 5 wire resistive touch window, 9~36V DC power input with Adapter, 1,000 nits LCD
ViTAM-610GH	10.1" WXGA IP66/IP69K stainless steel panel pc, Freescale i.MX6 Dual Lite ARM Cortex A9,1GB DDR3 RAM,4GB eMMC, protection glass, 9~36V DC power input with Adapter, 1,000 nits LCD
ViTAM-612P	12.1" SVGA IP66/IP69K stainless steel panel pc, Freescale i.MX6 Dual Lite ARM Cortex A9,1GB DDR3 RAM,4GB eMMC, projected capacitive touch, 9~36V DC power input with Adapter
ViTAM-612R	12.1" SVGA IP66/IP69K stainless steel panel pc, Freescale i.MX6 Dual Lite ARM Cortex A9,1GB DDR3 RAM,4GB eMMC, 5 wire resistive touch window, 9~36V DC power input with Adapter
ViTAM-612G	12.1" SVGA IP66/IP69K stainless steel panel panel pc, Freescale i.MX6 Dual Lite ARM Cortex A9,1GB DDR3 RAM,4GB eMMC, protection glass, 9~36V DC power input with Adapter
ViTAM-612PH	12.1" SVGA IP66/IP69K stainless steel panel pc, Freescale i.MX6 Dual Lite ARM Cortex A9,1GB DDR3 RAM,4GB eMMC, projected capacitive touch, 9~36V DC power input with Adapter, 1,000 nits LCD
ViTAM-612RH	12.1" SVGA IP66/IP69K stainless steel panel pc, Freescale i.MX6 Dual Lite ARM Cortex A9,1GB DDR3 RAM,4GB eMMC, 5 wire resistive touch window, 9~36V DC power input with Adapter, 1,000 nits LCD
ViTAM-612GH	12.1" SVGA IP66/IP69K stainless steel panel panel pc, Freescale i.MX6 Dual Lite ARM Cortex A9,1GB DDR3 RAM,4GB eMMC, protection glass, 9~36V DC power input with Adapter, 1,000 nits LCD

Model NO.	Description
ViTAM-615P	15" XGA IP66/IP69K stainless steel panel pc, Freescale i.MX6 Dual Lite ARM Cortex A9,1GB DDR3 RAM,4GB eMMCe, projected capacitive touch, 9~36V DC power input with Adapter
ViTAM-615R	15" XGA IP66/IP69K stainless steel panel pc, Freescale i.MX6 Dual Lite ARM Cortex A9,1GB DDR3 RAM,4GB eMMC, 5 wire resistive touch window, 9~36V DC power input with Adapter
ViTAM-615G	15" XGA IP66/IP69K stainless steel panel pc, Freescale i.MX6 Dual Lite ARM Cortex A9,1GB DDR3 RAM,4GB eMMCe, protection glass, 9~36V DC power input with Adapter
ViTAM-615PH	15" XGA IP66/IP69K stainless steel panel pc, Freescale i.MX6 Dual Lite ARM Cortex A9,1GB DDR3 RAM,4GB eMMCe, projected capacitive touch, 9~36V DC power input with Adapter, 1,000 nits LCD
ViTAM-615RH	15" XGA IP66/IP69K stainless steel panel pc, Freescale i.MX6 Dual Lite ARM Cortex A9,1GB DDR3 RAM,4GB eMMC, 5 wire resistive touch window, 9~36V DC power input with Adapter, 1,000 nits LCD
ViTAM-615GH	15" XGA IP66/IP69K stainless steel panel pc, Freescale i.MX6 Dual Lite ARM Cortex A9,1GB DDR3 RAM,4GB eMMCe, protection glass, 9~36V DC power input with Adapter, 1,000 nits LCD
ViTAM-621P	21.5" XGA IP66/IP69K stainless steel panel pc, Freescale i.MX6 Dual Lite ARM Cortex A9,1GB DDR3 RAM,4GB eMMCe, projected capacitive touch, 12~36V DC power input with Adapter
ViTAM-621R	21.5" XGA IP66/IP69K stainless steel panel pc, Freescale i.MX6 Dual Lite ARM Cortex A9,1GB DDR3 RAM,4GB eMMC, 5 wire resistive touch window, 12~36V DC power input with Adapter
ViTAM-621G	21.5" XGA IP66/IP69K stainless steel panel pc, Freescale i.MX6 Dual Lite ARM Cortex A9,1GB DDR3 RAM,4GB eMMCe, protection glass, 12~36V DC power input with Adapter
ViTAM-621PH	21.5" XGA IP66/IP69K stainless steel panel pc, Freescale i.MX6 Dual Lite ARM Cortex A9,1GB DDR3 RAM,4GB eMMCe, projected capacitive touch, 12~36V DC power input with Adapter, 1,000 nits LCD
ViTAM-621RH	21.5" XGA IP66/IP69K stainless steel panel pc, Freescale i.MX6 Dual Lite ARM Cortex A9,1GB DDR3 RAM,4GB eMMC, 5 wire resistive touch window, 12~36V DC power input with Adapter, 1,000 nits LCD
ViTAM-621GH	21.5" XGA IP66/IP69K stainless steel panel pc, Freescale i.MX6 Dual Lite ARM Cortex A9,1GB DDR3 RAM,4GB eMMCe, protection glass, 12~36V DC power input with Adapter, 1,000 nits LCD

Built for Hazardous Environments



AEx Series

- ▶ AEx-8XXP(H)
- ▶ AEx-9XXAP(H)
- ▶ AEx-2410/2411
- ▶ AEx-1XXP(H)



AEx Series

Pave the Way for Intelligent Oil and Gas Industry



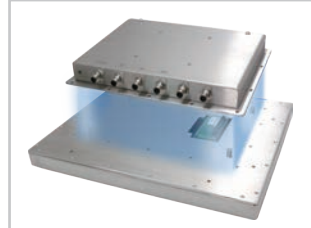
APLEX AEx series is the solution for harsh condition of exposure to gas and vapor. The AEx series comes in panel PC (AEx) with high computing performance required in the harsh



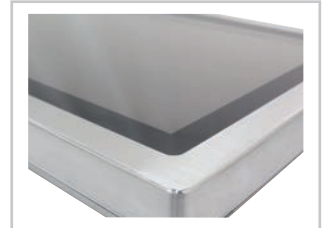
SUS316 Stainless Steel for Anti-corrosion



IP66 Grade Waterproof Protection with M12 Connectors



Modular Design for easy maintenance



Projected Capacitive Touch Supported

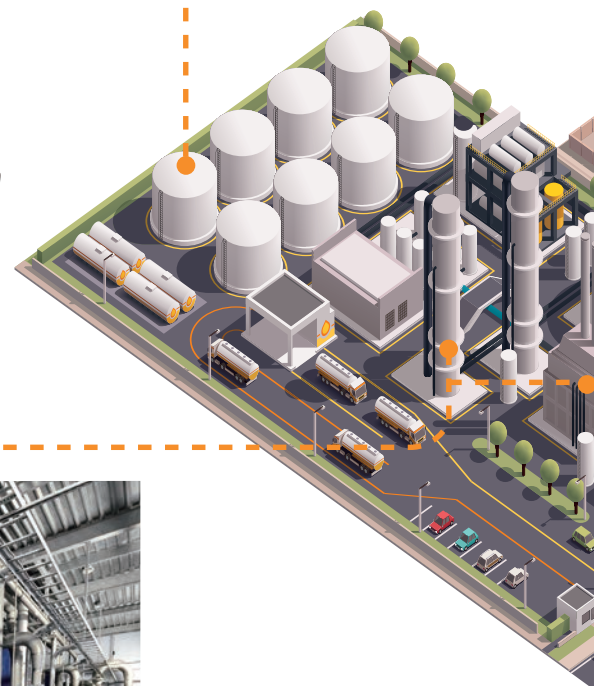
Size Selection: 15", 16", 19", 21.5" LCD

- ATEX Zone2, IECEx and C1D2 Certificate
- Intel Core 6th i5/i3 processor (AEx-9XXAP(H) series)
- Intel Celeron Processor N2930 (Aex-8XXP(H) series)
- Wide range DC 9~36V Power Input
- Support Panel Mount & VESA Mount
- Support Projected Capacitive Touch
- Full Flat Bezel and Fanless Design
- Modular Design

AEx-2410/2411 + AEx-1XXP(H) series Asset Monitoring and Inspection / Data Collection



Collecting data from oil pipe/tank via Box PC, workers enable to inspect and monitor the information via Display.



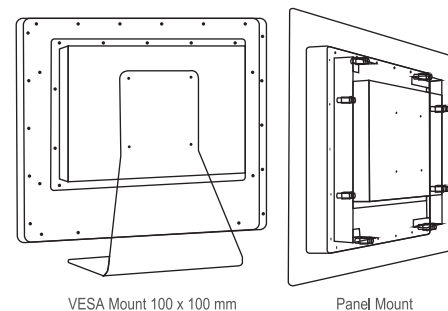
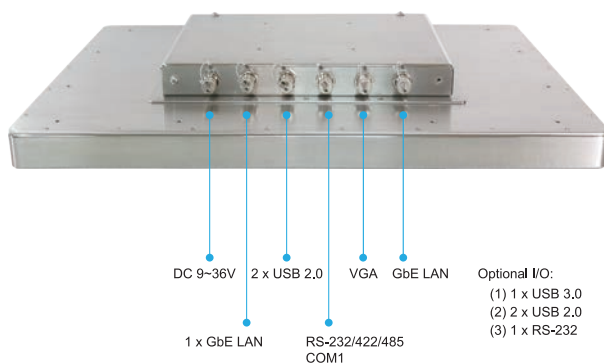
AEx-8XXP(H)/9XXAP(H) Series Equipment Real-time Controlling

In small control room of oil and gas industry, controlling power on/off button is equipped for adjusting (order of oilpipe), maintenance and emergency.



arduous environment. It is capable of withstanding vibration, shock, corrosion and can operate under the

x-8XXP/9XXAP), display (AEx-1XXP) and box PC (AEx-2410/2411) which are packed with different level of
arshest environment applications.



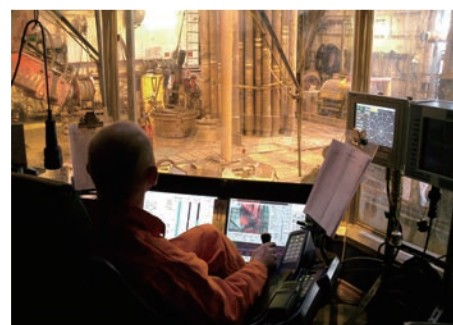
▲ Sunlight Readable Solution

▲ Variety of I/O Applications

▲ Mounting Application

AEx-8XXP(H)/9XXAP(H) Series Central Control Room

Multiple panel PCs are presented in control room to deal with every situation 24/7.



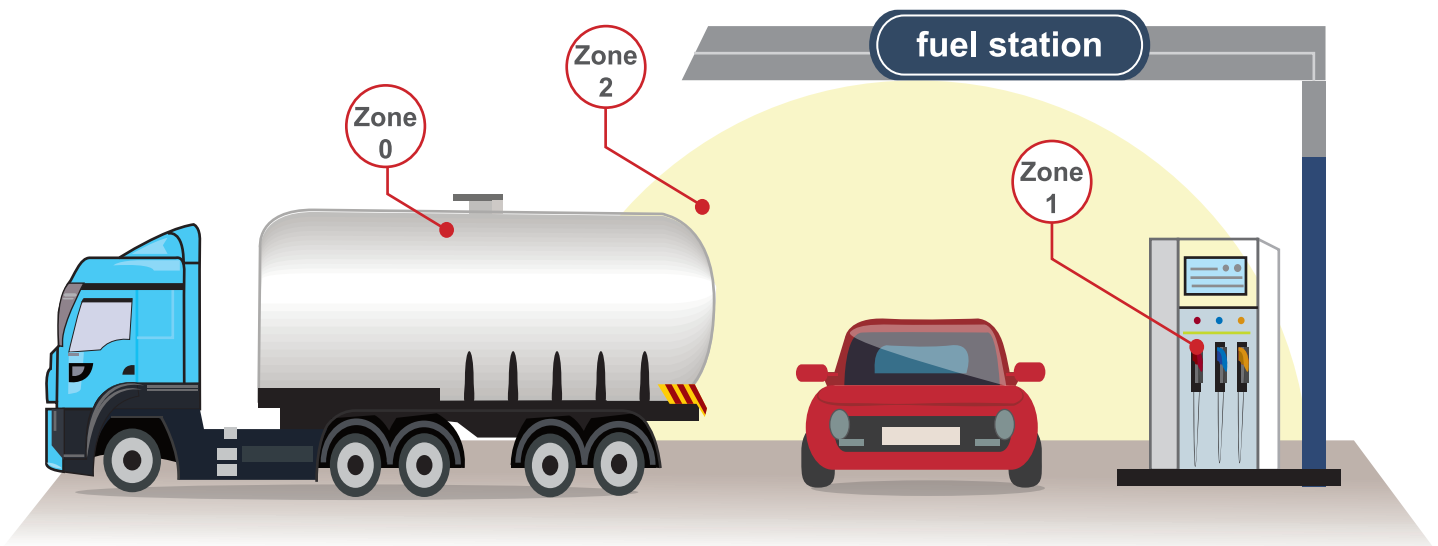
AEx-2410/2411 Box PC series Data Gateway / Communication / Notification

Collecting data from dangerous field.
EX. Personnel access, Vehicle control,
equipment temp and air pollution monitoring



ATEX Safety Certification solutions is well-prepared for Hazardous Environment Applications

In potentially explosive atmosphere, the explosion can be occurred when three elements exist: Flammable and combustible substances, Comburents, Ignition source. The equipments in this environment strictly are required the high safety certification to ensure that each stage operates accurately. APLEX AEx series solutions meet ATEX/IECEX/C1D2 certificate for intrinsic safety that can be greatly used in Ex-area.



- Zone0: present frequently, continuously, or for long periods. (>1000hrs/year)
- Zone1: occur in normal operation occasionally. (less than <1000 hours/year)
- Zone2: occur in normal operation, but if it does occur, will persist for a short period only.(less than 10 hrs/year)
- C1D2 certification ensures AEx series will not create sparks which could be detonated.

Explosion group		Examples depending on -explosion group -temperature class			
IIA	IIB	Ammonia	Ethanol	Petrol	Acetal-de-hyde
		Methane	Cyclohexene	Diesel fuel	
	IIC	Ethane	n-Butane	Fuel oil	
		Propane		n-Hexane	
	IIC	City gas	Ethylene	Ethyl glycol	Ethyl ether
		Acrylic	Ethylene oxide	Carbon hydrogen	
		Nitrile			
		Hydrogen	Acetylene		Carbon disulphide
		T1<450°C			
		T2<300°C			
		T3<200°C			
		T4<135°C			
		T4<135°C			
		T6<85°C			

AEx series
ATEX and IECEx Marking:
II 3 G Ex nA ic IIC T4 Gc

- II** Equipment Group
- 3** Equipment Category
- G** Environment
- Ex** Explosion-proof equipment identification
- nA** Type of Protection
- ic** Type of Protection
- IIC** Explosion group
- T4** Temperature Class (T1-T6)
- Gc** Equipment protection class



AEx-9XXAP(H) Series

Stainless Steel Panel PC for Hazardous Locations

ATEX/IECEX/C1D2 Certified Panel PC

- Intel 6th Gen. Core i3/i5 Processors
- WLAN for Option
- Full Flat Bezel and Fanless Design
- Total IP66 Grade with M12 Waterproof connector
- Wide range DC 9~36V Power Input
- Variety of IO applications



Fanless



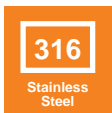
IP66



Flat Bezel



Wide
9~36V
DC Power



316
Stainless
Steel



Wide Temp
Option

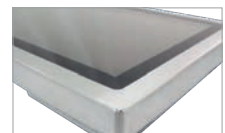


High
Brightness

SS 316 Stainless steel



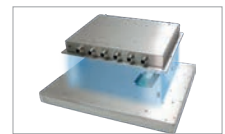
Full Flat Bezel and Fanless Design



Total IP66 Grade with M12 Waterproof connector



Modular design



Wide range DC 9~36V Power Input



AEx-9XXAP(H) Series

ATEX/IECEX/C1D2 Certified Panel PC



Specifications

Model Name	AEx-915AP	AEX-915APH	AEX-916AP
System			
Processor	Onboard 6th Gen. Intel Core i3/i5 processor		
System Chipset	SoC		
System Memory	1 x 260-pin SO-DIMM up to 16GB DDR4 2133MHz		
External I/O			
USB	1 x M12 8-pin for 2 x USB 2.0 with waterproof cover and chain		
Serial/Parallel	1 x M12 8-pin for COM1, RS-232/422/485, default RS-232, with waterproof cover and chain		
LAN	2 x M12 8-pin for LAN with waterproof cover and chain		
Graph	1 x M12 8pin for VGA with waterproof cover and chain		
Power connector	1 x M12 3-pin for DC power connector with waterproof cover and chain		
Storage Space			
HDD	1 x 2.5" HDD or SSD space 1 x mSATA space		
Expansion			
Onboard expansion bus	1 x Mini-PCIe (full size)		
Display			
Display type	15" TFT-LCD	15" TFT-LCD	15.6" TFT-LCD
Max. resolution	1024 x 768	1024 x 768	1366 x 768
Max. color	16.2M	16.7M/262K	16.2M
Luminance(cd/m ²)	450	1000	400
View angle(H°/V°)	160/150	160/150	160/140
Contrast	800:1	800:1	700:1
Backlight lifetime(hrs)	70000	50000	50000
Touch Screen			
Type	Projected Capacitive		
Interface	USB		
Light transmission(%)	90%		
Power			
Power input	9~36V DC		
Power Consumption (TYP.)	AEx-915AP: 21W		AEx-916AP: 27W
Mechanical			
Construction	316 stainless steel chassis		
IP rating	Total IP66		
Mounting	VESA mount 100 x 100, Panel mount (option)		
Dimension(mm)	399 x 324 x 70	399 x 324 x 70	440 x 290 x 75
Net weight(Kg)	9.6	9.6	10.0
Environment			
Operating temperature(°C)	-20~50		
Storage temperature(°C)	-30~70		
Humidity	10 to 95% @ 40°C, non- condensing		
Safety	CSA C22.2 No.61010		
Certification	CE / FCC Class A, ATEX Zone2 Ex nA ic IIC T4 Gc Class I, Division2, Group ABCD T4 ANSI/ISA 12.12.01-2013 CSA Std. C22.2 No213-1987		
Operating System Support			
Windows embedded 7 Windows embedded 8.1 Windows 10 IoT ENT LTSC			



Specifications

Model Name	AEX-919AP	AEX-919APH	AEX-921AP
System			
Processor	Onboard 6th Gen. Intel Core i3/i5 processor		
System Chipset	SoC		
System Memory	1 x 260-pin SO-DIMM up to 16GB DDR4 2133MHz		
External I/O			
USB	1 x M12 8-pin for 2 x USB 2.0 with waterproof cover and chain		
Serial/Parallel	1 x M12 8-pin for COM1, RS-232/422/485, default RS-232, with waterproof cover and chain		
LAN	2 x M12 8-pin for LAN with waterproof cover and chain		
Graph	1 x M12 8pin for VGA with waterproof cover and chain		
Power connector	1 x M12 3-pin for DC power connector with waterproof cover and chain		
Storage Space			
HDD	1 x 2.5" HDD or SSD space 1 x mSATA space		
Expansion			
Onboard expansion bus	1 x Mini-PCIe (full size)		
Display			
Display type	19" TFT-LCD	19" TFT-LCD	21.5" TFT-LCD
Max. resolution	1280 x 1024	1280 x 1024	1920 x 1080
Max. color	16.7M	16.7M	16.7M
Luminance(cd/m ²)	350	1000	300
View angle(H°/V°)	170/160	170/160	178/178
Contrast	1000:1	1000:1	3000:1
Backlight lifetime(hrs)	70000	70000	50000
Touch Screen			
Type	Projected Capacitive		
Interface	USB		
Light transmission(%)	90%		
Power			
Power input	9~36V DC		
Power Consumption (TYP.)	AEx-919AP:24W		AEx-921AP:37W
Mechanical			
Construction	316 stainless steel chassis		
IP rating	Total IP66		
Mounting	VESA mount 100 x 100, Panel mount (option)		
Dimension(mm)	470 x 388.6 x 75	470 x 388.6 x 75	571 x 362 x 75.1
Net weight(Kg)	13.2	13.2	12.6
Environment			
Operating temperature(°C)	-20~50		
Storage temperature(°C)	-30~70		
Humidity	10 to 95% @ 40°C, non- condensing		
Safety	CSA C22.2 No.61010		
Certification	CE / FCC Class A, ATEX Zone2 Ex nA ic IIC T4 Gc Class I, Division2, Group ABCD T4 ANSI/ISA 12.12.01-2013 CSA Std. C22.2 No213-1987		
Operating System Support			
Windows embedded 7 Windows embedded 8.1 Windows 10 IoT ENT LTSB			

Stainless Steel Panel PC

Industrial Panel PC

HMI

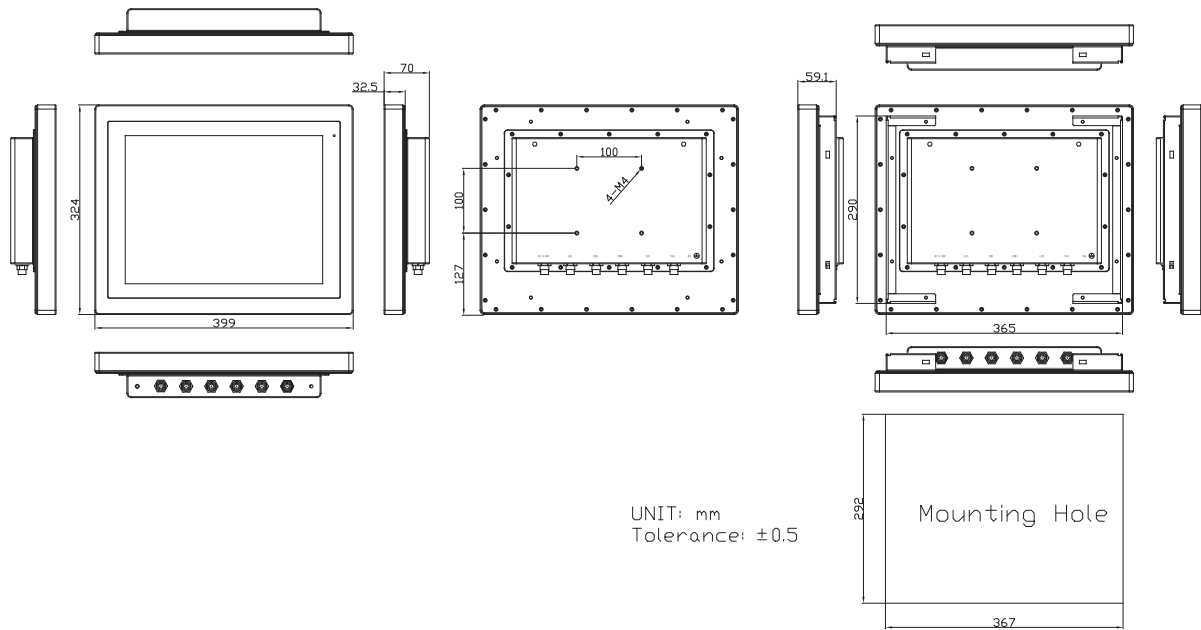
Embedded Box PC

Display

AEx-9XXAP(H) Series

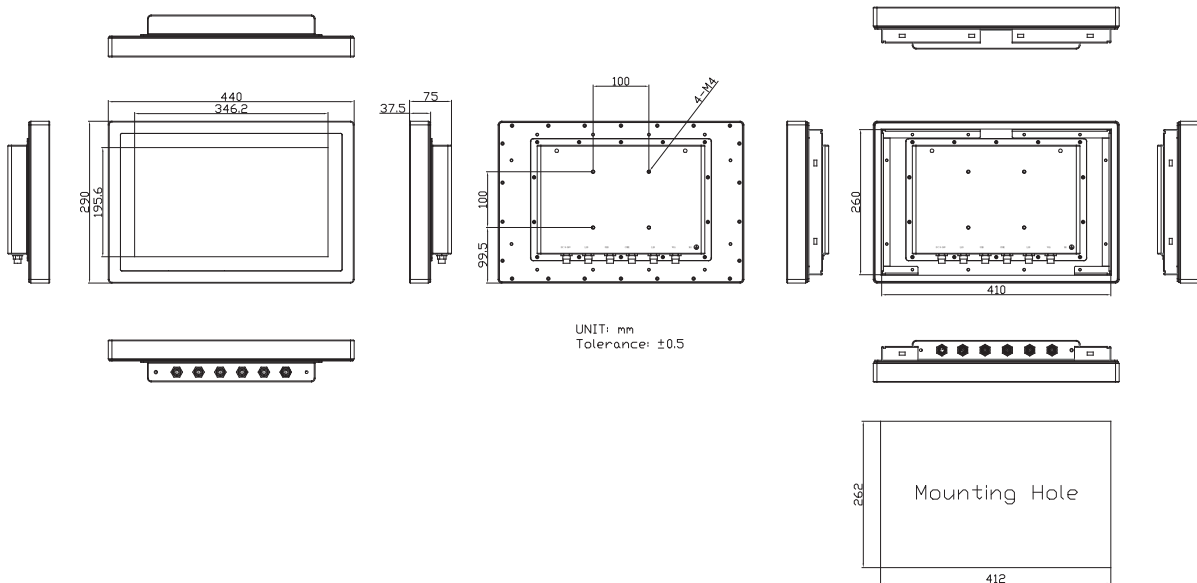
ATEX/IECEX/C1D2 Certified Panel PC

AEx-915AP AEx-915APH



unit:mm

AEx-916AP

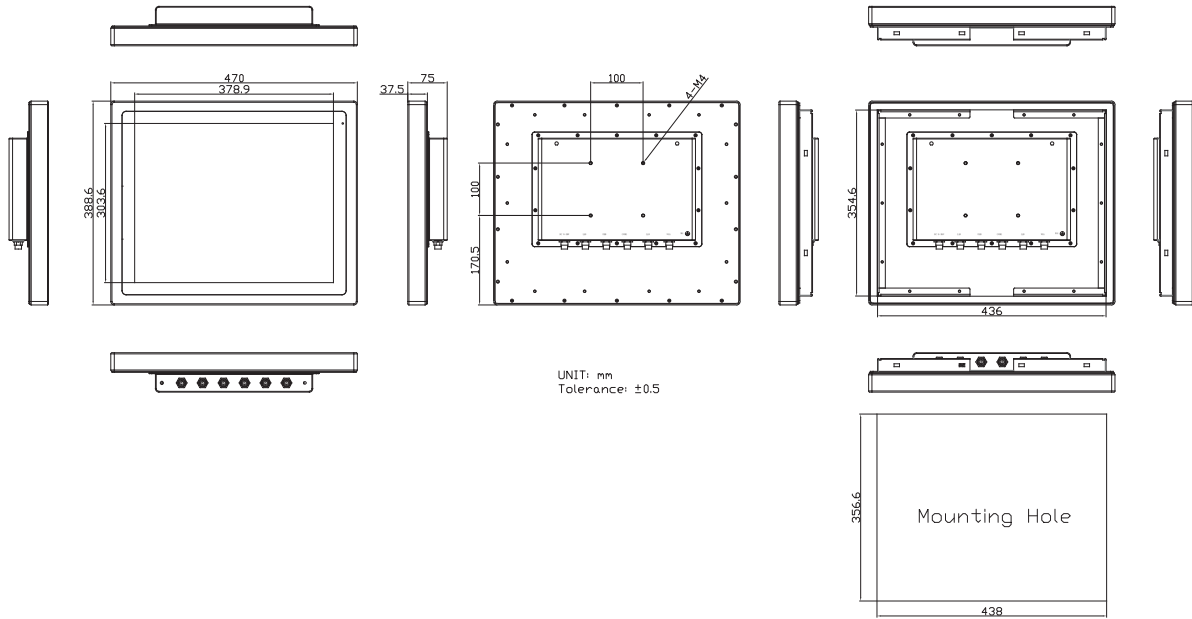


unit:mm

Ordering information

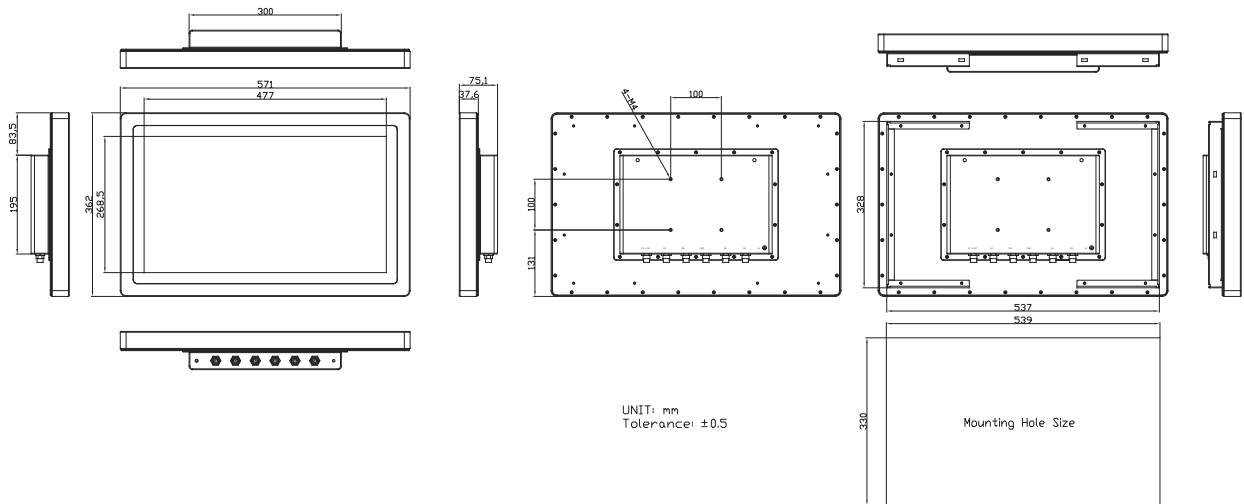
Model NO.	Description
AEX-915AP	15" XGA Fanless PC with Intel 6 th Core i Processor, 1 x SO-DIMM DDR4 slots, Projected Capacitive touch, DC 9~36V power input, SS316
AEX-915APH	15" XGA Fanless PC with Intel 6 th Core i Processor, High brightness, 1 x SO-DIMM DDR4 slots, Projected Capacitive touch, DC 9~36V power input, SS316
AEX-916AP	15.6" Full HD Fanless PC with Intel 6 th Core i Processor, 1 x SO-DIMM DDR4 slots, Projected Capacitive touch, DC 9~36V power input, SS316

AEx-919AP
AEx-919APH



unit:mm

AEx-921AP



unit:mm

Ordering information

Model NO.	Description
AEx-919AP	19" SXGA Fanless PC with Intel 6 th Core i Processor, 1 x SO-DIMM DDR4 slots, Projected Capacitive touch, DC 9~36V power input, SS316
AEx-919APH	19" SXGA Fanless PC with Intel 6 th Core i Processor, High brightness, 1 x SO-DIMM DDR4 slots, Projected Capacitive touch, DC 9~36V power input, SS316
AEx-921AP	21.5" FHD Fanless PC with Intel 6 th Core i Processor, 1 x SO-DIMM DDR4 slots, Projected Capacitive touch, DC 9~36V power input, SS316

All specifications and photos are subject to change without notice.



AEx-8XP(H) Series

Stainless Steel Panel PC for Hazardous Locations

ATEX/IECEX/C1D2 Certified Panel PC

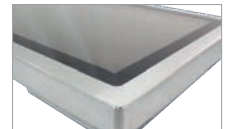
- Intel Celeron Processor N2930 Processor
- WLAN for Option
- Full Flat Bezel and Fanless Design
- Total IP66 Grade with M12 Waterproof connector
- Wide range DC 9~36V Power Input
- Variety of I/O applications



SS 316 Stainless steel



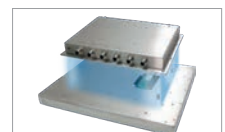
Full Flat Bezel and Fanless Design



Total IP66 Grade with M12 Waterproof connector



Modular design



Wide range DC 9~36V Power Input





Specifications

Model Name	AEx-815P	AEX-815PH	AEX-816P
System			
Processor	Onboard Intel Celeron N2930 Processor (2M Cache,1.83GHz)		
System Chipset	SoC		
System Memory	Onboard 4GB DDR3L SDRAM, 8GB(option)		
External I/O			
USB	1 x M12 8-pin for 2 x USB 2.0 with waterproof cover and chain		
Serial/Parallel	1 x M12 8-pin for COM1, RS-232/422/485, default RS-232, with waterproof cover and chain		
LAN	2 x M12 8-pin for LAN with waterproof cover and chain		
Graph	1 x M12 8pin for VGA with waterproof cover and chain		
Power connector	1 x M12 3-pin for DC power connector with waterproof cover and chain		
Storage Space			
HDD	1 x 2.5" HDD or SSD space 1 x mSATA space		
Movable device	1 x Internal SD Card slot		
Expansion			
Onboard expansion bus	1 x Mini-PCIe (full size)		
Display			
Display type	15" TFT-LCD	15" TFT-LCD	15.6" TFT-LCD
Max. resolution	1024 x 768	1024 x 768	1366 x 768h
Max. color	16.2M	262K	16.2M
Luminance(cd/m ²)	450	1000	400
View angle(H°/V°)	160/150	160/140	160/140
Contrast	800:1	700:1	700:1
Backlight lifetime(hrs)	70000	50000	50000
Touch Screen			
Type	Projected Capacitive		
Interface	USB		
Light transmission(%)	90%		
Power			
Power input	9~36V DC		
Power Consumption (TYP.)	AEx-815P: 19W		AEx-816P: 23W
Mechanical			
Construction	316 stainless steel chassis		
IP rating	Total IP66		
Mounting	VESA mount 100 x 100, Panel mount (option)		
Dimension(mm)	399 x 324 x 70	399 x 324 x 70	440 x 290 x 75
Net weight(Kg)	9.8	9.8	10.0
Environment			
Operating temperature(°C)	-20~50		
Storage temperature(°C)	-30~70		
Humidity	10 to 95% @ 40°C, non- condensing		
Safety	CSA C22.2 No.61010		
Certification	CE / FCC Class A, ATEX Zone2 Ex nA ic IIC T4 Gc Class I, Division2, Group ABCD T4 ANSI/ISA 12.12.01-2013 CSA Std. C22.2 No213-1987		
Operating System Support			
Windows embedded 7 Windows embedded 8.1 Windows 10 IoT ENT LTSB			

Stainless Steel Panel PC

Industrial Panel PC

HMI

Embedded Box PC

Display

AEx-8XXP(H) Series

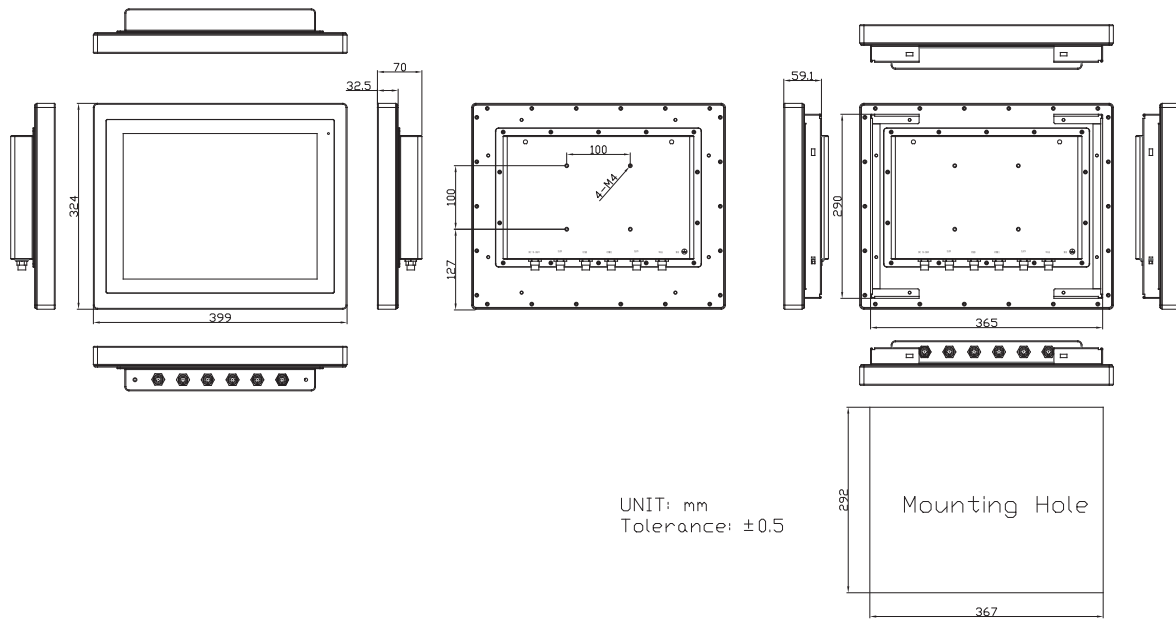
ATEX/IECEX/C1D2 Certified Panel PC



Specifications

Model Name	AEX-819P	AEX-819PH	AEX-821P
System			
Processor	Onboard Intel Celeron N2930 Processor (2M Cache,1.83GHz)		
System Chipset	SoC		
System Memory	Onboard 4GB DDR3L SDRAM, 8GB(option)		
External I/O			
USB	1 x M12 8-pin for 2 x USB 2.0 with waterproof cover and chain		
Serial/Parallel	1 x M12 8-pin for COM1, RS-232/422/485, default RS-232, with waterproof cover and chain		
LAN	2 x M12 8-pin for LAN with waterproof cover and chain		
Graph	1 x M12 8pin for VGA with waterproof cover and chain		
Power connector	1 x M12 3-pin for DC power connector with waterproof cover and chain		
Storage Space			
HDD	1 x 2.5 "HDD or SSD space 1 x mSATA space		
Movable device	1 x Internal SD Card		
Expansion			
Onboard expansion bus	1 x Mini-PCle (full size)		
Display			
Display type	19" TFT-LCD	19" TFT-LCD	21.5" TFT-LCD
Max. resolution	1280 x 1024	1280 x 1024	1920 x 1080
Max. color	16.7M	16.7M	16.7M
Luminance(cd/m ²)	350	1000	300
View angle(H°/V°)	170/160	170/160	178/178
Contrast	1000:1	1000:1	3000:1
Backlight lifetime(hrs)	70000	70000	50000
Touch Screen			
Type	Projected Capacitive		
Interface	USB		
Light transmission(%)	90%		
Power			
Power input	9~36V DC		
Power Consumption (TYP.)	AEx-819P: 24W		AEx-821P: 35W
Mechanical			
Construction	316 stainless steel chassis		
IP rating	Total IP66		
Mounting	VESA mount 100 x 100, Panel mount (option)		
Dimension(mm)	470 x 388.6 x 75	470 x 388.6 x 75	571 x 362 x 75.1
Net weight(Kg)	12.3	12.3	12.6
Environment			
Operating temperature(°C)	-20~50		
Storage temperature(°C)	-30~70		
Humidity	10 to 95% @ 40°C, non- condensing		
Safety	CSA C22.2 No.61010		
Certification	CE / FCC Class A, ATEX Zone2 Ex nA ic IIC T4 Gc Class I, Division2, Group ABCD T4 ANSI/ISA 12.12.01-2013 CSA Std. C22.2 No213-1987		
Operating System Support			
Windows embedded 7 Windows embedded 8.1 Windows 10 IoT ENT LTSC			

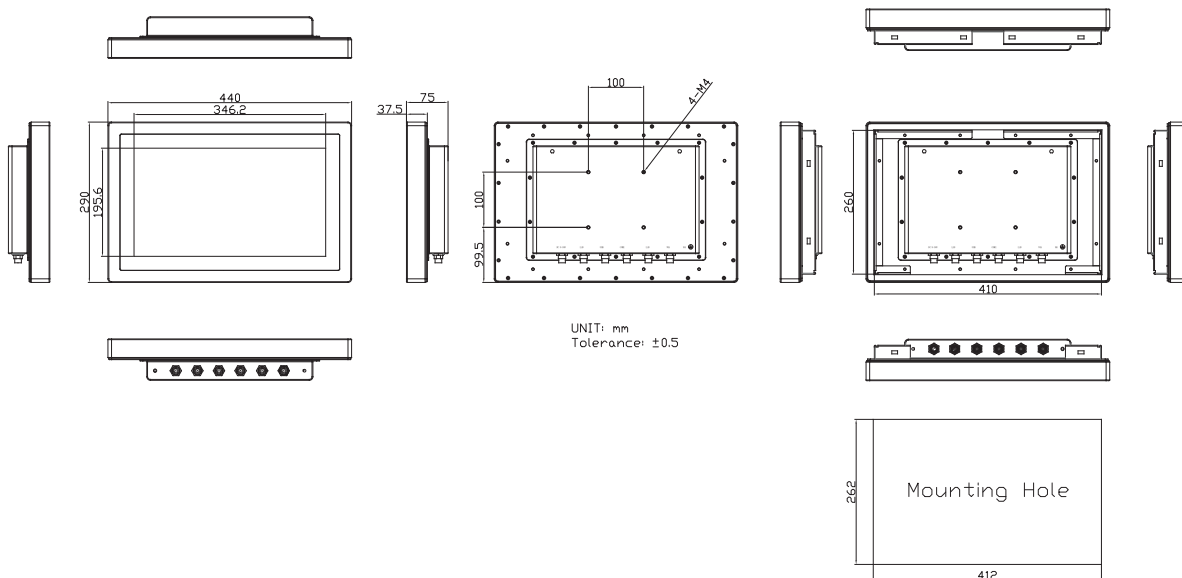
AEx-815P AEx-815PH



UNIT: mm
Tolerance: ±0.5

unit:mm

AEx-816P



UNIT: mm
Tolerance: ±0.5

unit:mm

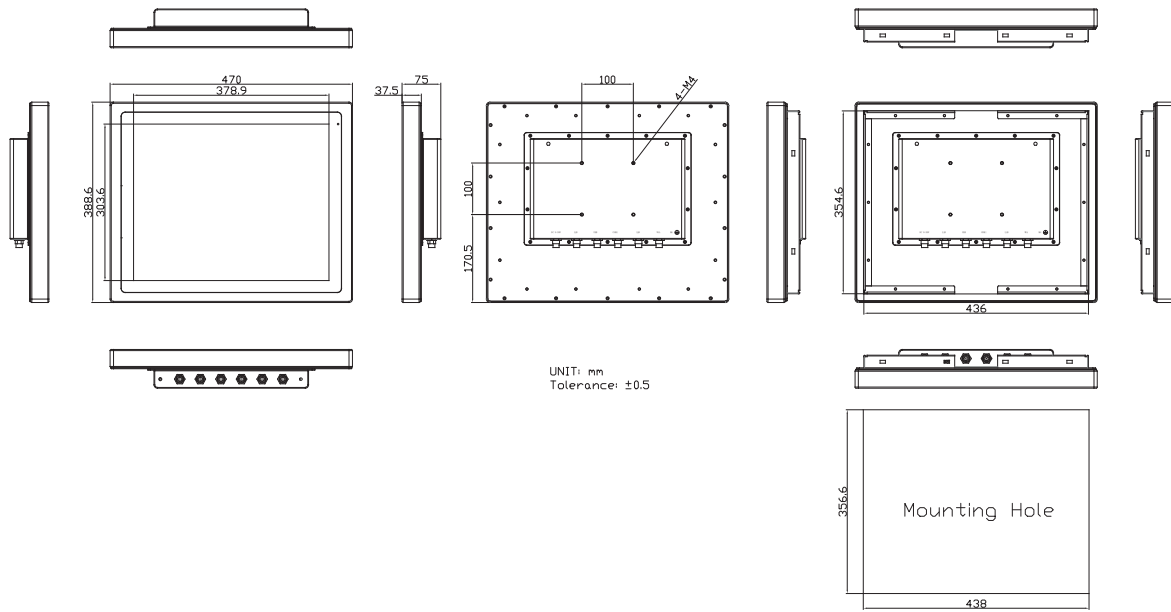
Ordering information

Model NO.	Description
AEX-815P	15" XGA Fanless PC with Intel N2930 Processor, 4GB DDR3L RAM, Projected Capacitive touch, DC 9~36V power input, SS316
AEX-815PH	15" XGA Fanless PC with Intel N2930 Processor, High brightness, 4GB DDR3L RAM, Projected Capacitive touch, DC 9~36V power input, SS316
AEX-816P	16" Full HD Fanless PC with Intel N2930 Processor, 4GB DDR3L RAM, Projected Capacitive touch, DC 9~36V power input, SS316

AEx-8XXP(H) Series

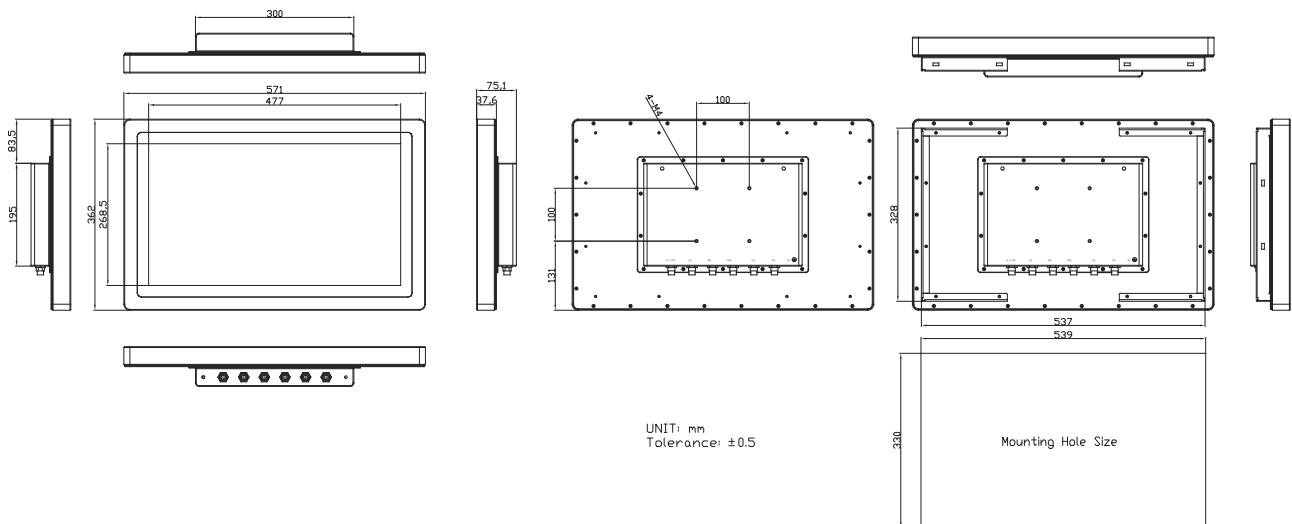
ATEX/IECEX/C1D2 Certified Panel PC

AEx-819P AEx-819PH



unit:mm

AEx-821P AEx-821PH



unit:mm

Ordering information

Model NO.	Description
AEX-819P	19" SXGA Fanless PC with Intel N2930 Processor, 4GB DDR3L RAM, Projected Capacitive touch, DC 9~36V power input, SS316
AEX-819PH	19" SXGA Fanless PC with Intel N2930 Processor, High brightness, 4GB DDR3L RAM, Projected Capacitive touch, DC 9~36V power input, SS316
AEX-821P	21.5" FHD Fanless PC with Intel N2930 Processor, 4GB DDR3L RAM, Projected Capacitive touch, DC 9~36V power input, SS316



AEx-P526

Stainless Steel Panel PC for Hazardous Locations

ATEX/IECEX/C1D2 Certified Panel PC

- Intel® Atom™ D2550 Low Power Consumption Processor
- ATEX95-n(II 3 G Ex nA IIC T4 Gc)
- EN60079-15
- SUS 316 Stainless Steel Enclosure
- IP65 Dustproof and Waterproof
- Wide Range DC 11~32V Power Input



SS 316 Stainless steel



Low power consumption processor



Total IP66 Grade with M12 Waterproof connector



Anti-Shock and Anti-Vibration



Solid and reliability for hazard applications





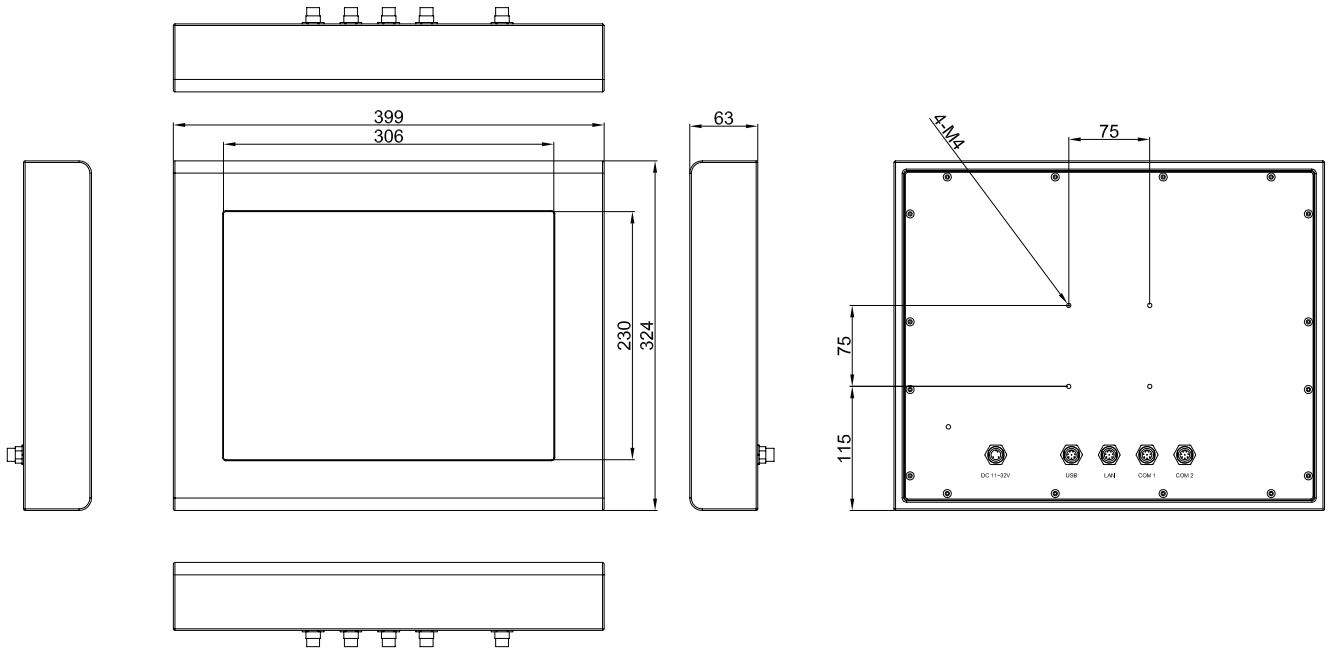
Specifications

Model Name	AEx-P526
System	
Processor	Intel Atom Processor D2550 (1M Cache, 1.86 GHz)
System Chipset	Intel NM10 Express
System Memory	Onboard 2GB DDR3 SDRAM, 4GB (option)
External I/O	
USB	1 x M12 8pin for 2 x USB2.0
Serial/Parallel	1 x M12 8pin for COM 1/RS-232/422/485 (Default RS-232) 1 x M12 8pin for COM2/RS-232
LAN	1 x M12 8pin for LAN
Power connector	1 x M12 3pin for DC power connector
Storage Space	
HDD	1 x 2.5" SATA2 HDD or SSD
Movable device	1 x Internal SD slot
Expansion	
Onboard expansion bus	1 x Mini PCIe (half size)
Display	
Display type	15" TFT-LCD
Max. resolution	1024 x 768
Max. color	16.7M
Luminance(cd/m ²)	450
View angle(H°/V°)	160/150
Contrast	800:1
Backlight lifetime(hrs)	50000
Touch Screen	
Type	Resistive
Interface	RS-232
Light transmission(%)	80%
Power	
Power input	11~32V DC
Power Consumption	Max:20W
Mechanical	
Construction	316 stainless steel chassis
IP rating	Total IP65
Mounting	VESA mount 75 x 75
Dimension(mm)	399 x 324 x 63
Net weight(Kg)	6.9
Environment	
Operating temperature(°C)	-20~60
Storage temperature(°C)	-30~70
Humidity	10 to 95% @ 40°C, non- condensing
Certification	CE/FCC Class A/ATEX95-n/EN60079-15
Operating System Support	
Windows Embedded 7 Windows Embedded 8.1 Windows 10 IoT ENT LTSC	

AEx-P526

ATEX/IECEX/C1D2 Certified Panel PC

AEx-P526



unit:mm

Ordering information

Model NO.	Description
AEx-P526	15" XGA IP65 Intel Atom D2550 Processor fan less panel PC, 2GB DDR3 memory, 32G SSD, resistive touch, DC 11~32V power input, 316 stainless steel enclosure

Stainless Steel Panel PC

Industrial Panel PC

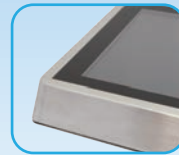
HMI

Embedded Box PC

Display

All Flat Front Panel Design

Full IP66/69K Stainless Panel PC



No Gap, All Flat Front Panel Design.
Support PCT and Resistive Touch.



The Expert In Stainless Steel Panel PC

APLEX has been working on research and development of stainless steel products for industrial-grade applications for ages. APLEX's stainless steel panel PC with Full IP66/69K Panel PC protection feature which prevents liquids from accumulated contamination in the machine and also takes the aesthetic into account as a great stainless steel workmanship allowing customers to accommodate outlook and functionalities. APLEX Flat Bezel Panel Design Technology features: no gap at front panel, panel display area 100% usable, easy to clean the front panel; no gap prevents dirt, water accumulation. Moreover, Flat Bezel Design is a trendy housing design look.

Features

- Intel Skylake/ Haswell / Baytrail Platform
- Flat Front Panel Supports Resistive Touch or PCT
- All Flat Front Bezel Full IP66/69K Panel PC
- Stainless steel Fanless Design
- Wide Operating Temperature Support (-20°C~60°C with Industrial SSD)





APC-3X95P/R Series

IP66/IP69K Waterproof

4th Gen. Intel® Core™ i3/i5 Panel PC

- 4th Generation Intel® i3/i5/i7 Processors (Haswell)
- Fanless and Full Flat Bezel Design
- Projected Capacitive Touch / Resistive Touch Window
- Total IP66/IP69K
- Wide Range DC 9~36V Power Input

 Fanless	 IP69K	 IP66
 Wide 9~36V DC Power	 -20~60°C	 Wide Temp Option
 Flat Bezel	 Multi Touch Screen	 ULV

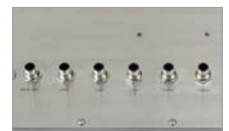
4th Generation
Intel® i3/i5/i7 Processors



Projected Capacitive
Touch, Support Multi
Touch



IP66/IP69K Rated
with M12 Connectors



Support Ergonomic
Versatile Mounting
Space-saving VESA
Mounting



Easily accessible storage
design



APC-3X95P/R Series

4th Gen. Intel® Core™ i3/i5 Panel PC



Specifications

Model Name	APC-3595P	APC-3595R
System		
Processor	Onboard 4th Gen Intel Core i3/i5 Processor	
System Chipset	SoC	
System Memory	Onboard 4GB DDR3L SDRAM ,8GB(option)	
External I/O		
USB	1 x M12 8-pin for 1 x USB3.0 with waterproof cover 1 x M12 8-pin for 2 x USB2.0 with waterproof cover	
Serial/Parallel	1 x M12 8-pin for COM1, RS-232/422/485, default RS-232 with waterproof cover and chain 1 x M12 8-pin for COM2, RS-232 with waterproof cover and chain	
LAN	1 x M12 8-pin for LAN with waterproof cover and chain	
Power connector	1 x M12 3pin for DC power connector with waterproof cover and chain	
Storage Space		
HDD	1 x 2.5" SATA3 (easily accessible)	
Movable device	1 x Internal SD slot	
Expansion		
Onboard expansion bus	1 x Mini PCIe (full size)	
Expansion Slot	None	
Display		
Display type	15" TFT-LCD	15" TFT-LCD
Max. resolution	1024 x 768	1024 x 768
Max. color	16.2M	16.2M
Luminance(cd/m ²)	300	300
View angle(H°/V°)	176/176	176/176
Contrast	2000:1	800:1
Backlight lifetime(hrs)	70000	70000
Touch Screen		
Type	Projected Capacitive Touch	Resistive Touch Window
Interface	USB	
Light transmission(%)	90%	80%
Power		
Power input	9~36V DC	
Power Consumption (TYP.)	APC-3595P: 21W	APC-3595R: 23W
Mechanical		
Construction	Stainless steel	
IP rating	Total IP66/IP69K	
Mounting	VESA mount 75 x75	
Dimension(mm)	399 x 323.9 x 48.5	
Net weight(Kg)	7.0	
Environment		
Operating temperature(°C)	0~50 (with HDD) -20~60 (with Industrial Storage)	
Storage temperature(°C)	-30~70	
Humidity	10 to 95% @ 40°C, non- condensing	
Certification	CE/FCC Class A	
Operating System Support		
Windows embedded 7 Windows embedded 8.1 Windows 10 IoT ENT LTSC		



Specifications

Model Name	APC-3795P	APC-3795R
System		
Processor	Onboard 4th Gen Intel Core i3/i5 Processor	
System Chipset	SoC	
System Memory	Onboard 4GB DDR3L SDRAM ,8GB(option)	
External I/O		
USB	1 x M12 8-pin for 1 x USB3.0 with waterproof cover and chain 1 x M12 8-pin for 2 x USB2.0 with waterproof cover and chain	
Serial/Parallel	1 x M12 8-pin for COM1, RS-232/422/485, default RS-232 with waterproof cover and chain 1 x M12 8-pin for COM2, RS-232 with waterproof cover and chain	
LAN	1 x M12 8-pin for LAN with waterproof cover and chain	
Power connector	1 x M12 3pin for DC power connector with waterproof cover and chain	
Storage Space		
HDD	1 x 2.5" SATA3 (easily accessible)	
Movable device	1 x Internal SD slot	
Expansion		
Onboard expansion bus	1 x Mini PCIe (full size)	
Expansion Slot	None	
Display		
Display type	17" TFT-LCD	17" TFT-LCD
Max. resolution	1280 x 1204	1280 x 1204
Max. color	16.7M	16.7M
Luminance(cd/m ²)	350	350
View angle(H°/V°)	160/140	160/140
Contrast	800:1	800:1
Backlight lifetime(hrs)	50000	50000
Touch Screen		
Type	Projected Capacitive Touch	Resistive Touch Window
Interface	USB	
Light transmission(%)	90%	80%
Power		
Power input	9~36V DC	
Power Consumption (TYP.)	APC-3795P: 31W	APC-3795R: 29W
Mechanical		
Construction	Stainless steel	
IP rating	Total IP66/IP69K	
Mounting	VESA mount 75 x75	
Dimension(mm)	432 x 358 x 56	
Net weight(Kg)	8.0	
Environment		
Operating temperature(°C)	0~50 (with HDD) -20~60 (with Industrial Storage)	
Storage temperature(°C)	-30~70	
Humidity	10 to 95% @ 40°C, non- condensing	
Certification	CE/FCC Class A	
Operating System Support		
Windows embedded 7 Windows embedded 8.1 Windows 10 IoT ENT LTSC		

APC-3X95P/R Series

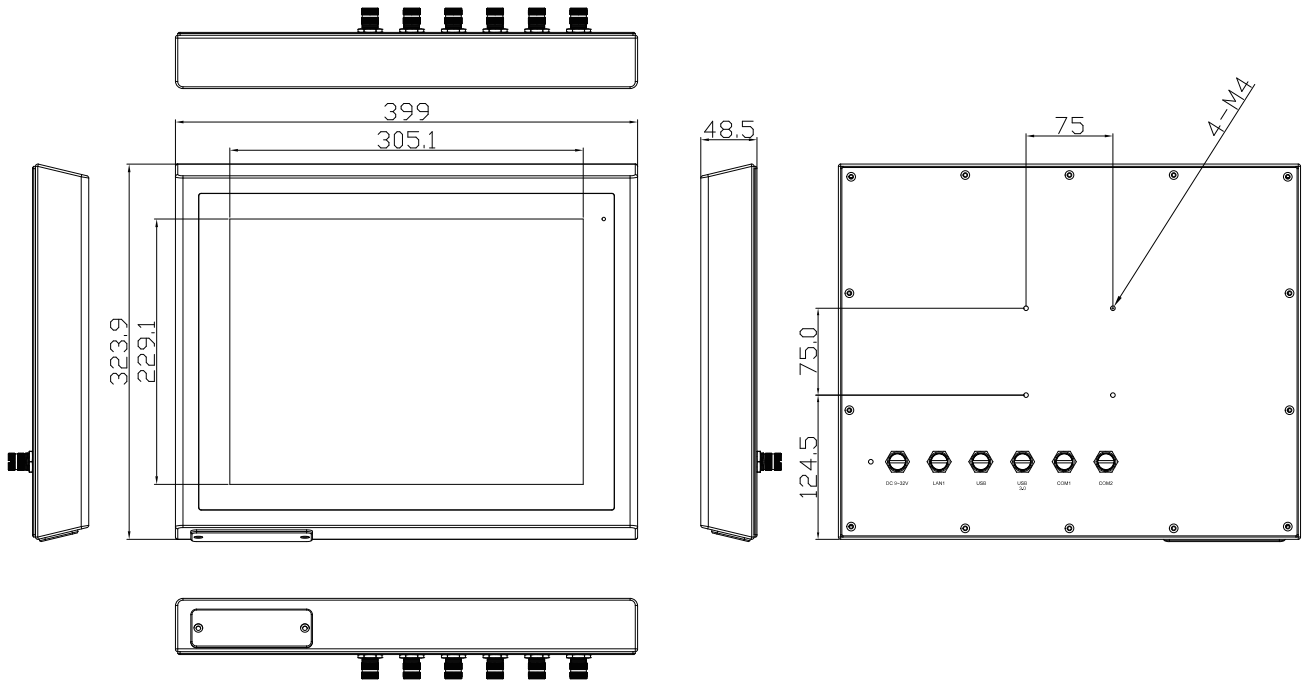
4th Gen. Intel® Core™ i3/i5 Panel PC



Specifications

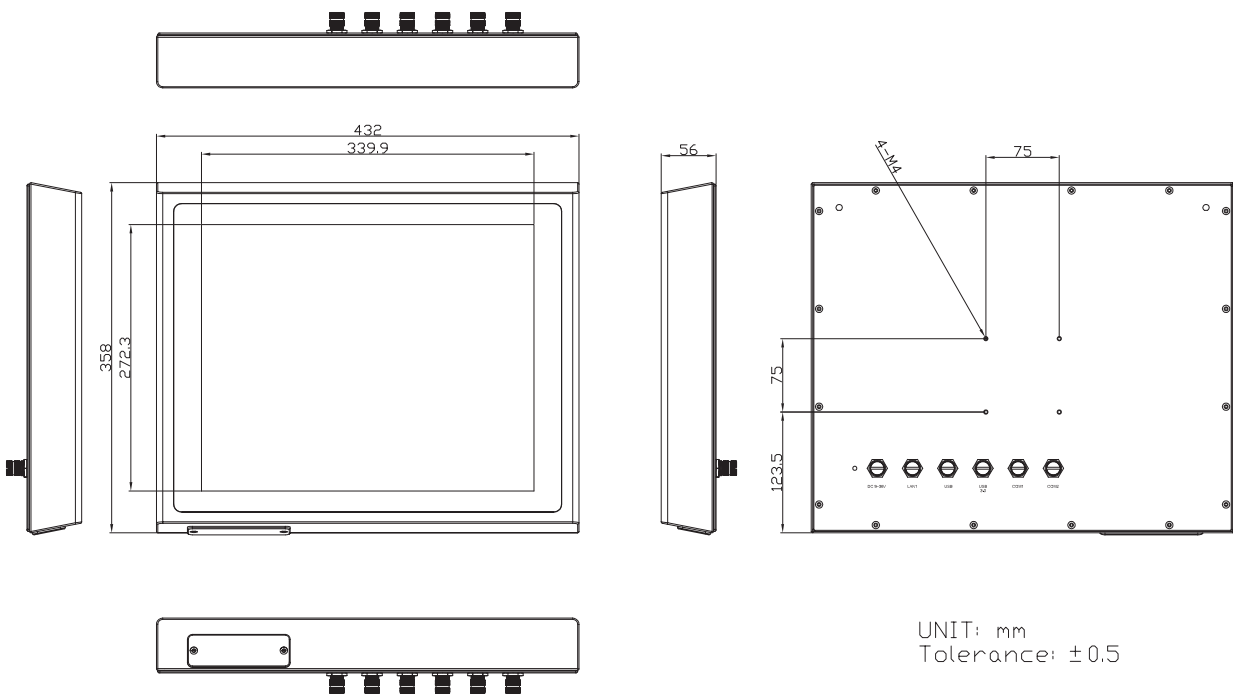
Model Name	APC-3995P	APC-3995R
System		
Processor	Onboard 4th Gen Intel Core i3/i5 Processor	
System Chipset	SoC	
System Memory	Onboard 4GB DDR3L SDRAM , 8GB(option)	
External I/O		
USB	1 x M12 8-pin for 1 x USB3.0 with waterproof cover and chain 1 x M12 8-pin for 2 x USB2.0 with waterproof cover and chain	
Serial/Parallel	1 x M12 8-pin for COM1, RS-232/422/485, default RS-232 with waterproof cover and chain 1 x M12 8-pin for COM2, RS-232 with waterproof cover and chain	
LAN	1 x M12 8-pin for LAN with waterproof cover and chain	
Power connector	1 x M12 3pin for DC power connector with waterproof cover and chain	
Storage Space		
HDD	1 x 2.5" SATA3 (easily accessible)	
Movable device	1 x Internal SD slot	
Expansion		
Onboard expansion bus	1 x Mini PCIe (full size)	
Expansion Slot	None	
Display		
Display type	19" TFT-LCD	19" TFT-LCD
Max. resolution	1280 x 1024	1280 x 1024
Max. color	16.7M	16.7M
Luminance(cd/m ²)	350	350
View angle(H°/V°)	170/160	170/160
Contrast	1000:1	1000:1
Backlight lifetime(hrs)	50000	50000
Touch Screen		
Type	Projected Capacitive Touch	Resistive Touch Window
Interface	USB	
Light transmission(%)	90%	80%
Power		
Power input	9~36V DC	
Power Consumption (TYP.)	APC-3995P:38W	APC-3995R:31.6W
Mechanical		
Construction	Stainless steel	
IP rating	Total IP66/IP69K	
Mounting	VESA mount 100 x 100	
Dimension(mm)	470 x 415.4 x 60	
Net weight(Kg)	9.6	
Environment		
Operating temperature(°C)	0~50	
Storage temperature(°C)	-30~70	
Humidity	10 to 95% @ 40°C, non- condensing	
Certification	CE/FCC Class A	
Operating System Support		
Windows embedded 7 Windows embedded 8.1 Windows 10 IoT ENT LTSC		

APC-3595P/R



unit:mm

APC-3795P/R



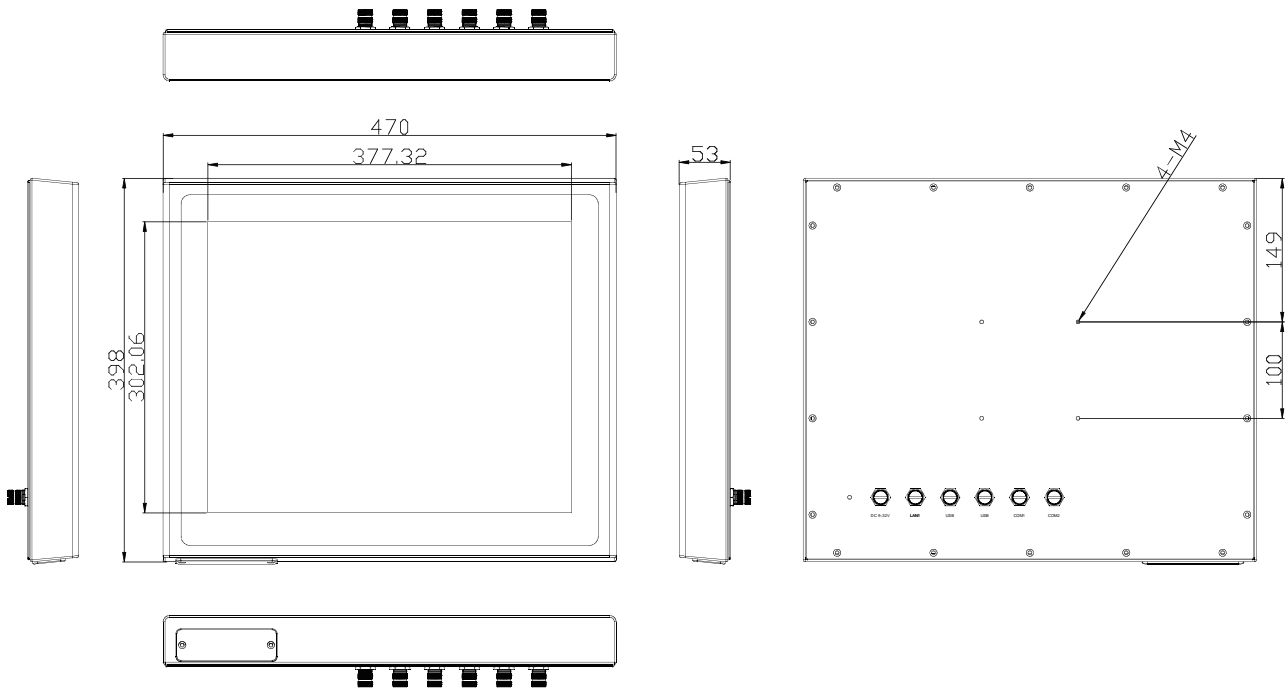
UNIT: mm
Tolerance: ±0.5

unit:mm

APC-3X95P/R Series

4th Gen. Intel® Core™ i3/i5 Panel PC

APC-3995P/R



unit:mm

Ordering information

Model NO.	Description
APC-3595P	11.5" XGA IP66/IP69K full flat bezel design stainless steel panel PC bare bone, Intel Core processor, 4GB DDR3L, 2.5" SATA3 320G Industrial HDD, with projective capacitive touch, DC power input with Adapter, stainless steel enclosure
APC-3595R	11.5" XGA IP66/IP69K full flat bezel design stainless steel panel PC bare bone, Intel Core processor, 4GB DDR3L, 2.5" SATA3 320G Industrial HDD, with resistive touch window, DC power input with Adapter, stainless steel enclosure
APC-3795P	17" SXGA IP66/IP69K full flat bezel design stainless steel panel PC bare bone, Intel Core processor, 4GB DDR3L, 2.5" SATA3 320G Industrial HDD, with projective capacitive touch, DC power input with Adapter, stainless steel enclosure
APC-3795R	17" SXGA IP66/IP69K full flat bezel design stainless steel panel PC bare bone, Intel Core processor, 4GB DDR3L, 2.5" SATA3 320G Industrial HDD, with resistive touch window, DC power input with Adapter, stainless steel enclosure
APC-3995P	19" SXGA IP66/IP69K full flat bezel design stainless steel panel PC bare bone, Intel Core processor, 4GB DDR3L, 2.5" SATA3 320G Industrial HDD, with projective capacitive touch, DC power input with Adapter, stainless steel enclosure
APC-3995R	19" SXGA IP66/IP69K full flat bezel design stainless steel panel PC, Intel Core processor, 4GB DDR3L, 2.5" SATA3 320G Industrial HDD, with resistive touch window, DC power input with Adapter, stainless steel enclosure



APC-3X94P/R Series

IP66/IP69K Waterproof

Intel® Celeron N2930 Panel PC

- Intel® Celeron® Processor N2930 CPU
- Fanless Design
- Projected capacitive touch
- Resistive touch window
- Wide range DC 9~36V Input

 Fanless	 IP69K	 IP66
 Wide 9~36V DC Power	 -20~60°C	 Wide Temp Option
 Flat Bezel	 Multi Touch Screen	

Fanless Design
Slim and Compact



Projected Capacitive
Touch, Support Multi
Touch



IP66/IP69K Rated
with M12 Connectors



Great Stainless Steel
Workmanship
and full flat bezel design



Wide operating
temperature -20~60°C
(option with Industrial
Storage)



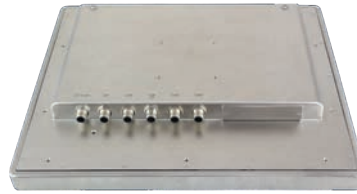
APC-3X94P/R Series

Intel® Celeron N2930 Panel PC



Specifications

Model Name	APC-3594P	APC-3594R
System		
Processor	Onboard Intel Celeron N2930 Processor (2M Cache, 1.83GHz)	
System Chipset	SoC	
System Memory	Onboard 4GB DDR3L SDRAM	
External I/O		
USB	1 x M12 8-pin for 1 x USB 3.0 with waterproof cover 1 x M12 8pin for 2 x USB 2.0 with waterproof cover	
Serial/Parallel	1 x M12 8-pin for COM1, RS-232/422/485, default RS-232 with waterproof cover 1 x M12 8-pin for COM2, RS-232 with waterproof cover	
LAN	1 x M12 8-pin for GbE LAN with waterproof cover	
Power connector	1 x M12 3-pin for DC power connector with waterproof cover	
Storage Space		
HDD	1 x 2.5" SATA2 (Easy Accessible design)	
Movable device	1 x Internal SD slot on board	
Expansion		
Onboard expansion bus	1 x Mini PCIe full size For optional WLAN/BT Module and Antenna at rear side	
Expansion Slot	None	
Display		
Display type	15" TFT-LCD	15" TFT-LCD
Max. resolution	1024 x 768	1024 x 768
Max. color	16.2M	16.2M
Luminance(cd/m ²)	300	300
View angle(H°/V°)	176/176	176/176
Contrast	2000:1	2000:1
Backlight lifetime(hrs)	50000	50000
Touch Screen		
Type	Projected Capacitive Touch	Resistive Touch Window
Interface	USB	
Light transmission(%)	90%	80%
Power		
Power input	9~36V DC	
Power Consumption (TYP.)	APC-3594P: 17W	APC-3594R: 16W
Mechanical		
Construction	Stainless steel	
IP rating	Total IP66/IP69K	
Mounting	Panel Mount, VESA mount 75 x 75 Optional Wall Mount Kit	
Dimension(mm)	399 x 324 x 58.8	
Net weight(Kg)	5.3	
Environment		
Operating temperature(°C)	0~50 -20~60 (with Industrial Storage)	
Storage temperature(°C)	-30~70	
Humidity	10 to 95% @ 40°C, non- condensing	
Certification	CE/FCC Class A	
Operating System Support		
Windows embedded 7 Windows embedded 8.1 Windows 10 IoT ENT LTSB		

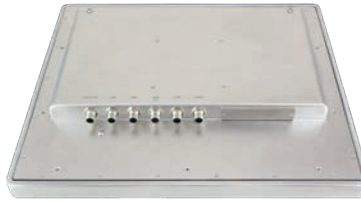


Specifications

Model Name	APC-3794P	APC-3794R
System		
Processor	Onboard Intel Celeron N2930 Processor (2M Cache, 1.83GHz)	
System Chipset	SoC	
System Memory	Onboard 4GB DDR3L SDRAM	
External I/O		
USB	1 x M12 8-pin for 1 x USB 3.0 with waterproof cover 1 x M12 8pin for 2 x USB 2.0 with waterproof cover	
Serial/Parallel	1 x M12 8-pin for COM1, RS-232/422/485, default RS-232 with waterproof cover 1 x M12 8-pin for COM2, RS-232 with waterproof cover	
LAN	1 x M12 8-pin for GbE LAN with waterproof cover	
Power connector	1 x M12 3-pin for DC power connector with waterproof cover	
Storage Space		
HDD	1 x 2.5" SATA2 (Easy Accessible design)	
Movable device	1 x Internal SD slot on board	
Expansion		
Onboard expansion bus	1 x Mini PCIe full size For optional WLAN/BT Module and Antenna at rear side	
Expansion Slot	None	
Display		
Display type	17" TFT-LCD	17" TFT-LCD
Max. resolution	1280 x 1024	1280 x 1204
Max. color	16.2M	16.2M
Luminance(cd/m ²)	350	350
View angle(H°/V°)	160/140	160/140
Contrast	1000:1	1000:1
Backlight lifetime(hrs)	50000	50000
Touch Screen		
Type	Projected Capacitive Touch	Resistive Touch Window
Interface	USB	
Light transmission(%)	90%	80%
Power		
Power input	9~36V DC	
Power Consumption (TYP.)	APC-3794P: 27W	APC-3794R: 25W
Mechanical		
Construction	Stainless steel	
IP rating	Total IP66/IP69K	
Mounting	Panel Mount, VESA mount 75 x 75 Optional Wall Mount Kit	
Dimension(mm)	432 x 358 x 58.8	
Net weight(Kg)	7.2	
Environment		
Operating temperature(°C)	0~50 -20~60 (with Industrial Storage)	
Storage temperature(°C)	-30~70	
Humidity	10 to 95% @ 40°C, non- condensing	
Certification	CE/FCC Class A	
Operating System Support		
Windows embedded 7 Windows embedded 8.1 Windows 10 IoT ENT LTSB		

APC-3X94P/R Series

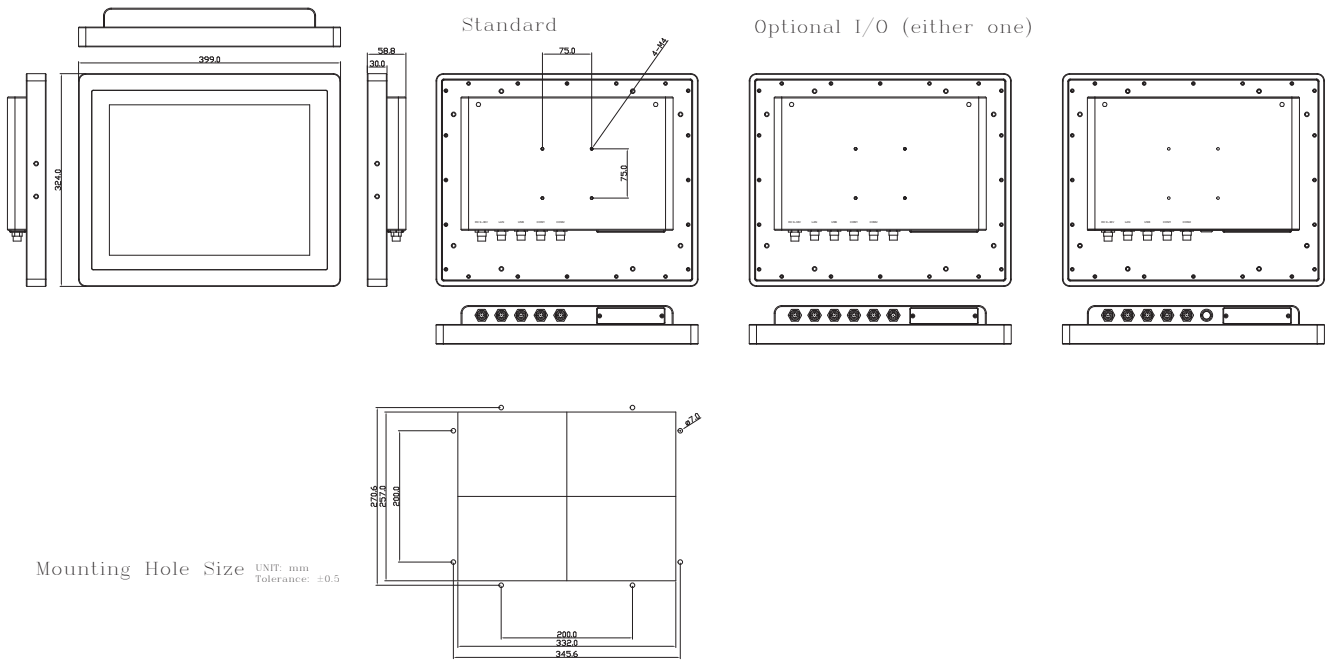
Intel® Celeron N2930 Panel PC



Specifications

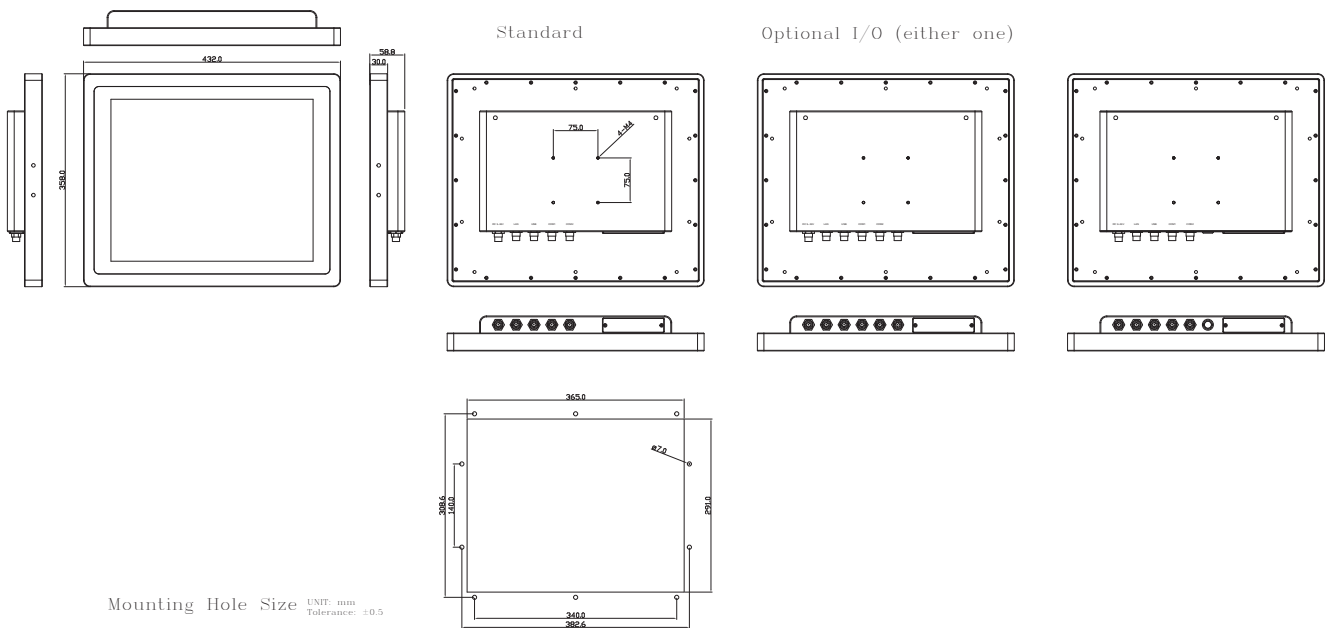
Model Name	APC-3994P	APC-3994R
System		
Processor	Onboard Intel Celeron N2930 Processor (2M Cache,1.83GHz)	
System Chipset	SoC	
System Memory	Onboard 4GB DDR3L SDRAM	
External I/O		
USB	1 x M12 8-pin for 1 x USB 3.0 with waterproof cover 1 x M12 8pin for 2 x USB 2.0 with waterproof cover	
Serial/Parallel	1 x M12 8-pin for COM1, RS-232/422/485, default RS-232 with waterproof cover 1 x M12 8-pin for COM2, RS-232 with waterproof cover	
LAN	1 x M12 8-pin for GbE LAN with waterproof cover	
Power connector	1 x M12 3-pin for DC power connector with waterproof cover	
Storage Space		
HDD	1 x 2.5" SATA2 (Easy Accessible design)	
Movable device	1 x Internal SD slot on board	
Expansion		
Onboard expansion bus	1 x Mini PCIe full size For optional WLAN/BT Module and Antenna at rear side	
Expansion Slot	None	
Display		
Display type	19" TFT-LCD	19" TFT-LCD
Max. resolution	1280 x 1024	1280 x 1024
Max. color	16.7M	16.7M
Luminance(cd/m ²)	350	350
View angle(H°/V°)	170/160	170/160
Contrast	1000:1	1000:1
Backlight lifetime(hrs)	50000	50000
Touch Screen		
Type	Projected Capacitive Touch	Resistive Touch Window
Interface	USB	
Light transmission(%)	90%	80%
Power		
Power input	9~36V DC	
Power Consumption (TYP.)	APC-3994P: 26W	APC-3994R: 25W
Mechanical		
Construction	Stainless steel	
IP rating	Total IP66/IP69K	
Mounting	Panel Mount, VESA mount 100 x 100 Optional Wall Mount Kit	
Dimension(mm)	470 x 388.6 x 60.8	
Net weight(Kg)	7.6	
Environment		
Operating temperature(°C)	0~50	
Storage temperature(°C)	-30~70	
Humidity	10 to 95% @ 40°C, non- condensing	
Certification	CE/FCC Class A	
Operating System Support		
Windows embedded 7 Windows embedded 8.1 Windows 10 IoT ENT LTSB		

APC-3594P/R



unit:mm

APC-3794P/R

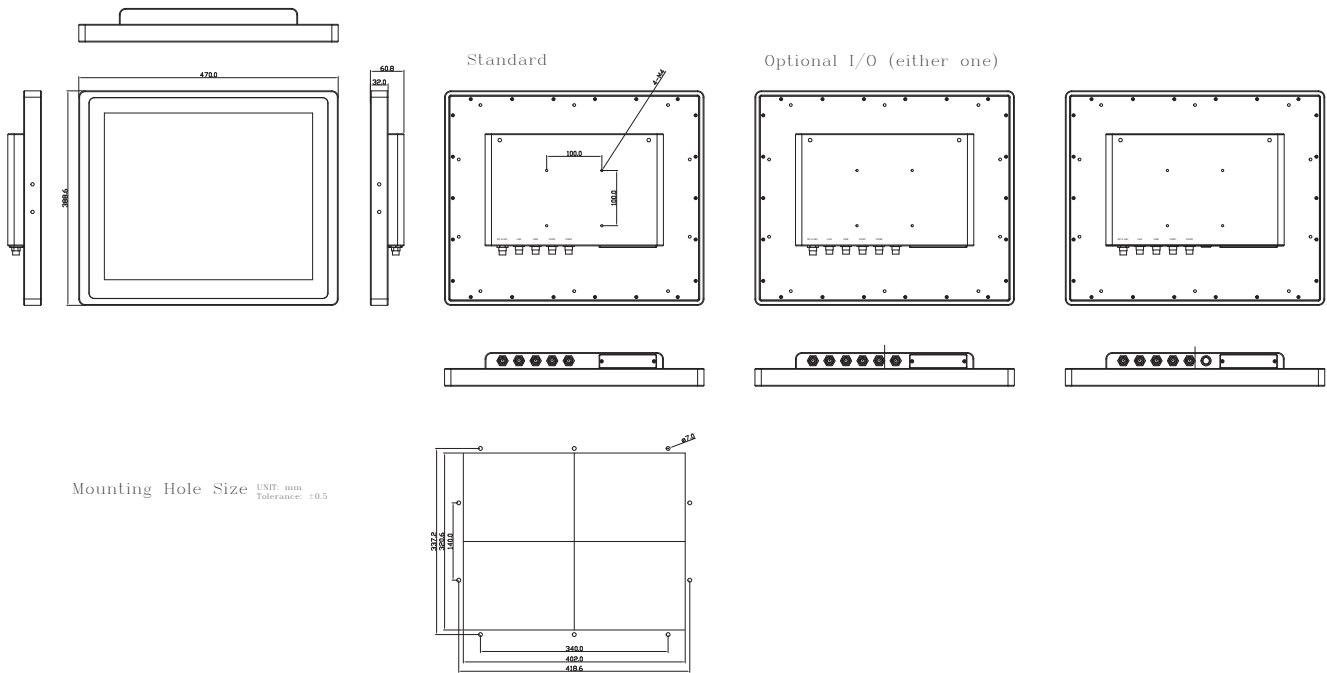


unit:mm

APC-3X94P/R Series

Intel® Celeron N2930 Panel PC

APC-3994P/R



unit:mm

Ordering information

Model NO.	Description
APC-3594P	15" XGA IP66/IP69K full flat bezel design stainless steel panel PC, Intel Celeron N2930 processor, DDR3L 4G on board, 2.5" SATA2 320GB Industrial HDD, with projective capacitive touch, 9~36V DC power input with Adapter, stainless steel enclosure
APC-3594R	15" XGA IP66/IP69K full flat bezel design stainless steel panel PC, Intel Celeron N2930 processor, DDR3L 4G on board, 2.5" SATA2 320GB Industrial HDD, with RES. Touch Window, 9~36V DC power input with Adapter, stainless steel enclosure
APC-3794P	17" SXGA IP66/IP69K full flat bezel design stainless steel panel PC, Intel Celeron N2930 processor, DDR3L 4G on board, 2.5" SATA2 320GB Industrial HDD, with projective capacitive touch, 9~36V DC power input with Adapter, stainless steel enclosure
APC-3794R	17" SXGA IP66/IP69K full flat bezel design stainless steel panel PC, Intel Celeron N2930 processor, DDR3L 4G on board, 2.5" SATA2 320GB Industrial HDD, with RES. Touch Window, 9~36V DC power input with Adapter, stainless steel enclosure
APC-3994P	19" SXGA IP66/IP69K full flat bezel design stainless steel panel PC, Intel Celeron N2930 processor, DDR3L 4G on board, 2.5" SATA2 320GB Industrial HDD, with projective capacitive touch, 9~36V DC power input with Adapter, stainless steel enclosure
APC-3994R	19" SXGA IP66/IP69K full flat bezel design stainless steel panel PC, Intel Celeron N2930 processor, DDR3L 4G on board, 2.5" SATA2 320GB Industrial HDD, with RES. Touch Window, 9~36V DC power input with Adapter, stainless steel enclosure

Slim and Compact 5 Sides IP65 Panel PC



Traditional
Heavy and
Only Front Panel IP65



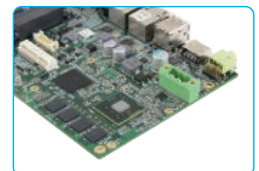
APLEX 5 Sides IP65
Slim and Compact,
5 Sides IP65 Waterproof

The Expert In Stainless Steel Panel PCs

APLEX has been working on research and development of stainless steel products with industrial-grade applications for ages. APLEX's stainless steel panel PCs feature 5 sides IP 65 protection which prevents liquids from accumulated contamination on the machine and also takes the aesthetics into account as a great stainless steel workmanship. Therefore, we allow customers to enjoy both product exterior and functionality.

Features

- Low Power Consumption 5 Sides IP65 Panel PC
- Fanless Design, Slim and Compact
- Easy Accessible Storage Design
- Wide Operating Temperature Support (-20°C~60°C with Industrial SSD)
- Resistive or GFG Touch Support





APC-3X84B Series APC-3X85B Series

5 Sides IP65 Waterproof

Intel® Celeron N2930 Panel PC

- Intel® Celeron® N2930 CPU support
- 2GB DDR3L Memory On Board
- 1 x 2.5" HDD Space and 1 x SD Onboard
- Fanless Design
- Resistive touch or GFG touch optional
- IP65 except I/O side
- Wide range 9~36V DC Input



Fanless Design
Slim and Compact



5 Sides IP65 Waterproof



Easily Sccessible
Stroage Design



I/O Cover Design



Support Wide Range
DC 9~36V Power Input





Specifications

Model Name	APC-3584B APC-3585B	APC-3784B APC-3785B	APC-3984B APC-3985B
System			
Processor	Onboard Intel Celeron N2930 Processor (2M Cache,1.83GHz)		
System Chipset	SoC		
System Memory	Onboard 4GB DDR3L SDRAM, 8GB(option)		
External I/O			
USB	1 x USB 2.0 type A 1 x USB 3.0 type A		
Serial/Parallel	1 x RS-232/422/485 DB9(COM1), default RS-485 1 x RS-232 DB9(COM2) 1 x RS-422/485 DB9 (COM3), default RS-485		
LAN	2 x GbE RJ-45		
Audio	1 x Line-out		
Power connector	1 x 3 pin terminal block connector 1 x 2 pin remote power switch 1 x Power switch for ON/OFF		
Storage Space			
HDD	1 x 2.5" SATA2 (Easy Accessible design)		
Movable device	1 x Internal SD slot on board		
Expansion			
Onboard expansion bus	1 x Mini PCIe full size Optional WiFi/BT with Antenna		
Expansion Slot	None		
Display			
Display type	15" TFT-LCD	17" TFT-LCD	19" TFT-LCD
Max. resolution	1024 x 768	1280 x 1024	1280 x 1024
Max. color	16.2M	16.2M	16.7M
Luminance(cd/m ²)	300	350	350
View angle(H°/V°)	176/176	170/160	170/165
Contrast	2000:1	1000:1	1000:1
Backlight lifetime(hrs)	50000	30000	50000
Touch Screen			
Type	Resistive Touch Window		
Interface	USB		
Light transmission(%)	80%		
Power			
Power input	9~36V DC		
Power Consumption	Max:22W	Max:22W	Max:26W
Mechanical			
Construction	Stainless steel (APC-3X84B) Black Steel (APC-3X85B)		
IP rating	IP65 except I/O side, option IP42 Cover		
Mounting	VESA mount 75 x 75		VESA mount 100 x 100
Dimension(mm)	398 x 316 x 50.5	432 x 358 x 55	470 x 388.6 x 55
Net weight(Kg)	6.9 (APC-3584B) 6.5 (APC-3585B)	7.3 (APC-3784B) 7.3 (APC-3785B)	9.4 (APC-3984B) 9.0 (APC-3985B)
Environment			
Operating temperature(°C)	0~50 -20~60 (with Industrial Storage)		0~50
Storage temperature(°C)	-30~70		
Humidity	10 to 95% @ 40°C, non- condensing		
Certification	CE/FCC Class A		
Operating System Support			
Windows Embedded 7 Windows Embedded 8.1 Windows 10 IoT ENT LTSC			

Stainless Steel Panel PC

Industrial Panel PC

HMI

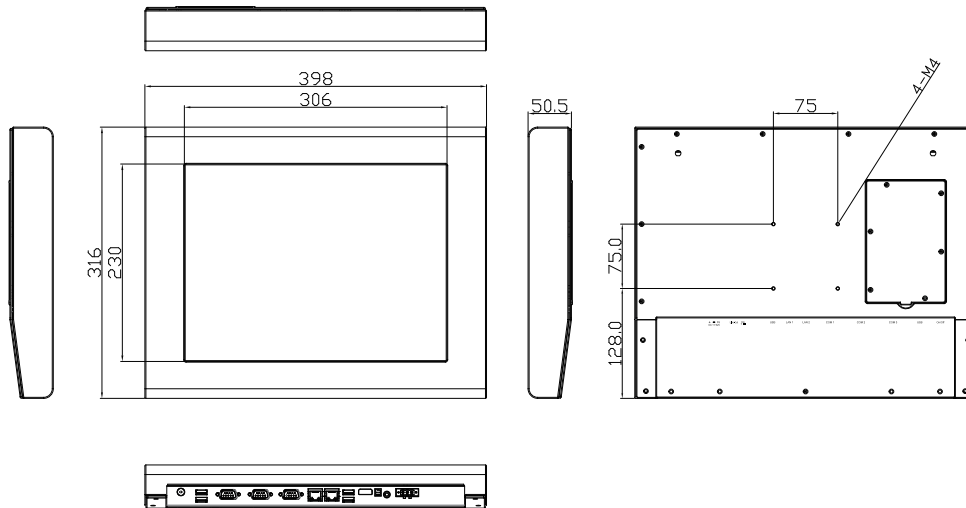
Embedded Box PC

Display

APC-3X84B Series/APC-3X85B Series

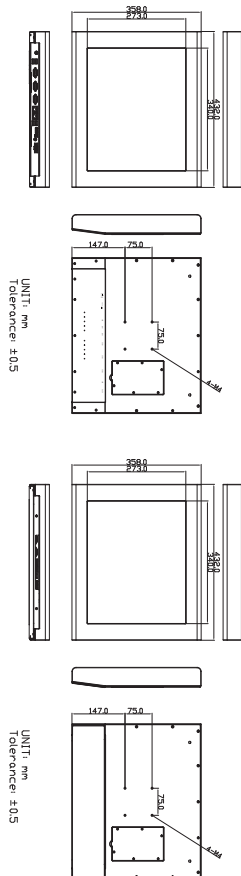
Intel® Celeron N2930 Panel PC

APC-3584B APC-3585B

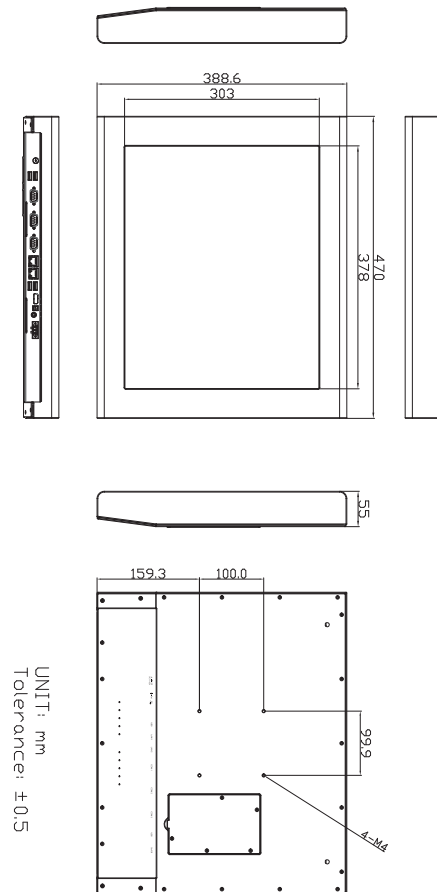


unit:mm

APC-3784B APC-3785B



APC-3984B APC-3985B



unit:mm

Ordering information

Model NO.	Description
APC-3584BT	15" XGA 5 sides IP65 Intel Celeron N2930 processor fan less panel PC, DDR3 2GB on board, 320G SATA HDD, Resistive touch, 9~36VDC power input with Adapter, stainless steel enclosure
APC-3784BT	17" SXGA 5 sides IP65 Intel Celeron N2930 processor fan less panel PC, DDR3 2GB on board, 320G SATA HDD, Resistive touch, 9~36VDC power input with Adapter, stainless steel enclosure
APC-3984BT	19" SXGA 5 sides IP65 Intel Celeron N2930 processor fan less panel PC, DDR3 2GB on board, 320G SATA HDD, Resistive touch, 9~36VDC power input with Adapter, stainless steel enclosure
APC-3585BT	15" XGA 5 sides IP65 Intel Celeron N2930 processor fan less panel PC, DDR3 2GB on board, 320G SATA HDD, Resistive touch, 9~36VDC power input with Adapter, steel enclosure
APC-3785BT	17" SXGA 5 sides IP65 Intel Celeron N2930 processor fan less panel PC, DDR3 2GB on board, 320G SATA HDD, Resistive touch, 9~36VDC power input with Adapter, steel enclosure
APC-3985BT	19" SXGA 5 sides IP65 Intel Celeron N2930 processor fan less panel PC, DDR3 2GB on board, 320G SATA HDD, Resistive touch, 9~36VDC power input with Adapter, steel enclosure



Panel PC

ViPAC/APC/OPC Product Line

As the advancements in big data, factory digitally turns into “Smart” by using self-optimization, self-configuration and even artificial intelligence. Industry 4.0 extends the M2M scale and IoT deployments to further improve monitor and communication within systems, providing the users with real-time system interactions, and brings the much higher level of automation to complete complex tasks.

APLEX’s panel PC delivers exceptional computing performance, designed for use in harsh industrial environments. For different application requirements, these product lines provide different water-and dust-proof rated protection such as IP65/IP66/IP69K neither at front panel or whole machine. APLEX’s panel PC aims to bring many industries into smart, not only for factory automation but also logistic, in-vehicle management, as well as marine application. APLEX urged to provide comprehensive panel pc solution and push new opportunities and benefits to deliver cost-efficiencies and first-rate quality.

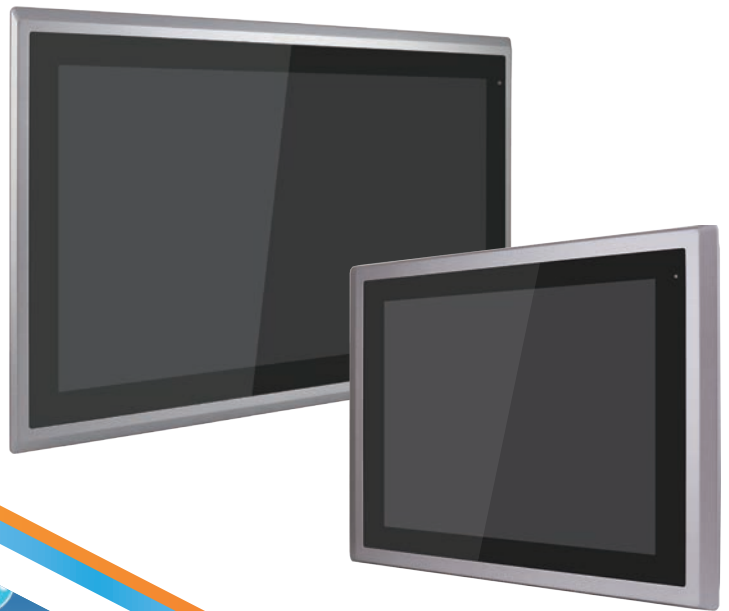


Model Name	VIPAC-9	VIPAC-8	APC-3X20	APC-3XX9A
CPU	6 TH /7 TH Gen. Intel Core i3/i5/i7	Intel Celeron N2930	4 th Gen. Intel Core i3/i5/i7 up to i7-4xxxU	4 th Gen. Intel Core i3/i5/i7
Memory	2 x DDR4 SO-DIMM	2 x DDR3L SO-DIMM	Onboard 4GB DDR3L	2 x DDR3 SO-DIMM
Mothorboard	ASB-M8171	ASB-M7102	ASB-7110	ASB-M8XXX
Touch screen	Resistive, Projected capacitive touch	Resistive, Projected capacitive touch	Optional Resistive	Optional Resistive/PCT
PCI expansion	Yes	Yes	No	No
PCIe expansion	Yes	Yes	No	Yes, PCIe x16
Display Size	15"/15.6"/17"/21.5"	15"/15.6"/17"/21.5"	12.1"/19"/24"	21.5"/24"
2 x HDD	Yes	No	No	Yes
Optional DVD	No	No	No	Yes
External CF	No	No	Yes (Under expansion cover)	Yes (Under expansion cover)
IP rating	Front IP66	Front IP66	Front IP65	Front IP65

Model Name	APC-3X19A	APC-3072 APC-3082	OPC-5XX8
CPU	4 th Gen. Intel Core i3/i5/i7	Intel Atom Baytrail E3845	Intel Celeron N2930
Memory	2 x DDR3 SO-DIMM	Onboard 4GB DDR3L memory	Onboard 2GB DDR3L 1600MHz 4GB(option)
Mothorboard	ASB-M8XXX	SBC-7810	ASB-7111
Touch screen	Resistive (projected capacitive touch for option)	APC-3082: Resistive APC-3072: Projected capacitive	Resistive Touch Window Projected Capacitive Touch
PCI expansion	No	No	No
PCIe expansion	Yes, PCIe x16	No	No
Display Size	15"/17"/19"	7"/8"	12.1"/15"/15.6"/17"
2 x HDD	Yes	No	No
Optional DVD	No	No	No
External CF	Yes (Under expansion cover)	No	No
IP rating	Front IP65	APC-3072:Total IP66 APC-3082:Total IP65	Front IP65

VIPAC Series

**New Generation Industrial Panel PC
For Being Ahead of Industry 4.0 & IIoT**



**INDUSTRIAL
INTERNET
OF THINGS**

Combine Data-acquisition and Archiving, Analysis, Reporting

Automation systems are required more data storage, need to be more user-friendly, be able in the industry to use industrial PCs as automation controllers.

APLEX new generation panel PC mainly focuses on the mainstream industrial control, factory data storage, signal control, surveillance security system.



High Productivity

Through automation, it increases efficiency that the processes can be implemented without intervention. By x86 based processor ViPAC series enhances the overall performance and efficiency of data transfer processing and system response, and it enables you to produce more within the same amount of time then to save time and money.



Integration

ViPAC series has integrated input/output functionalities, including standard, optional I/O interface, and rich expansion slot. ViPAC is capable of horizontal and vertical integration through many operations simultaneously, and holistically integrating the entire value chain.



Connectivity

ViPAC series fast communication enables easier sharing and communication between computer programming and equipment, including WiFi/BT/3G/4G LTE and antenna, as well as embedded RFID/NFC. ViPAC series ensures to keep in touch with each part of the operation between basic actuation and advanced control systems.



Control

Remote Monitoring &



Supervisory Control and Data Acquisition



Visual

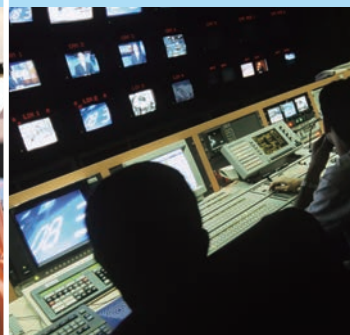
Factory Automation



Surveillance Security System



Smart Manufacturing



and Computing Ability with ng, and Display Capabilities

to communicate with each other and require an open standard. There is an increasing trend
y automation application, as well as professional applications such as large data collection,



Flexibility

ViPAC series brings the flexibility to use, and easy and quick servicing and maintenance of products. Its modular design lowers lead time, expanding the capabilities of a hardware solution, it also enables quick and easy upgrades to evolve depends on either technology or user improvement.



Scalability

ViPAC series scales the industrial control, factory automation application, and professional applications from large data collection and storage, signal control to surveillance security system.



Long-term Availability

Continuously produce products to extend the availability and withstand the usage. Provide long-term support for maintenance, repair and upgrade.

Room

Advanced Controlling

ization



Data Processing

Food & Beverage Industry



Warehouse Management



Large Data Collection





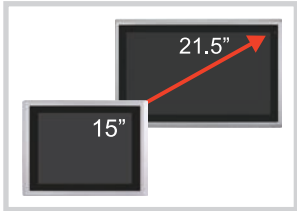
ViPAC Series

15", 15.6", 17", 21.5" TFT LCD Panel PC

ViPAC series, comprised of ViPAC-9 and ViPAC-8. These systems are powered by high-performance Intel 6th/7th Gen. Core i3/i5/i7 processors (codename: skylake / kabylake) and Intel Celeron N2930 CPU for different demanding performance requirements. Both series are characterized by Aluminum front bezel with hairline surface design; they are available in either wide screen (16:9) or traditional (4:3) aspect which comes in sizes 15"/15.6"/ 17"/ 21.5" LCD with the resolution up to 1920 x 1080 (Full HD), and 7H anti-scratch surface. This trend-setting panel PC solution is perfectly suitable for all tasks in the industry of PC-based automation.



ViPAC-8 Series	ViPAC-9 Series
Intel Celeron N2930	Intel 6th/7th Core i3/i5/i7
Modular Concept with Fanless Design	Modular Concept with Fan Design



15"~21.5" TFT-LCD



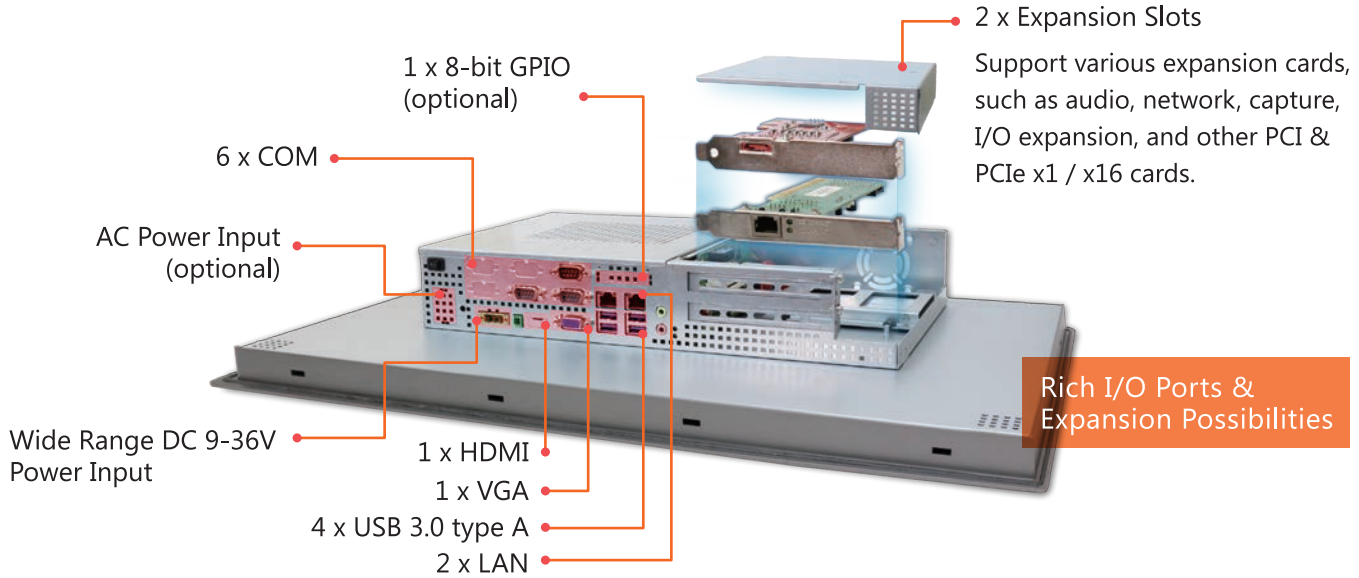
Aluminum Die-Casting Front Bezel with IP66 Support PCT/RTW/AR Glass



2 x Expansion Slots



DC/AC Power Input, Support AT/ATX Mode





ViPAC 9XX Series

New Gen. Industrial Intelligent Application Panel PC

Intel 6th/7th Core i3/i5/i7 Panel PC

- Intel 6th /7th Core i3/i5/i7 Processor
- With Fan design
- Projected Capacitive Touch, Resistive touch screen and protection glass for option
- Front Bezel IP66
- Wide range DC 9~36V, option AC power input

<p>Wide 9~36V DC Power</p>	<p>IP66 F Panel</p>	<p>0~50°C</p>
<p>PCI/PCIe expansion</p>	<p>Touch Screen</p>	<p>Wide Temp Option</p>

High Performance and low power consumption design



Modular concept



2 x Expansion Slot



Easily Accessible Storage Design



Front bezel IP66



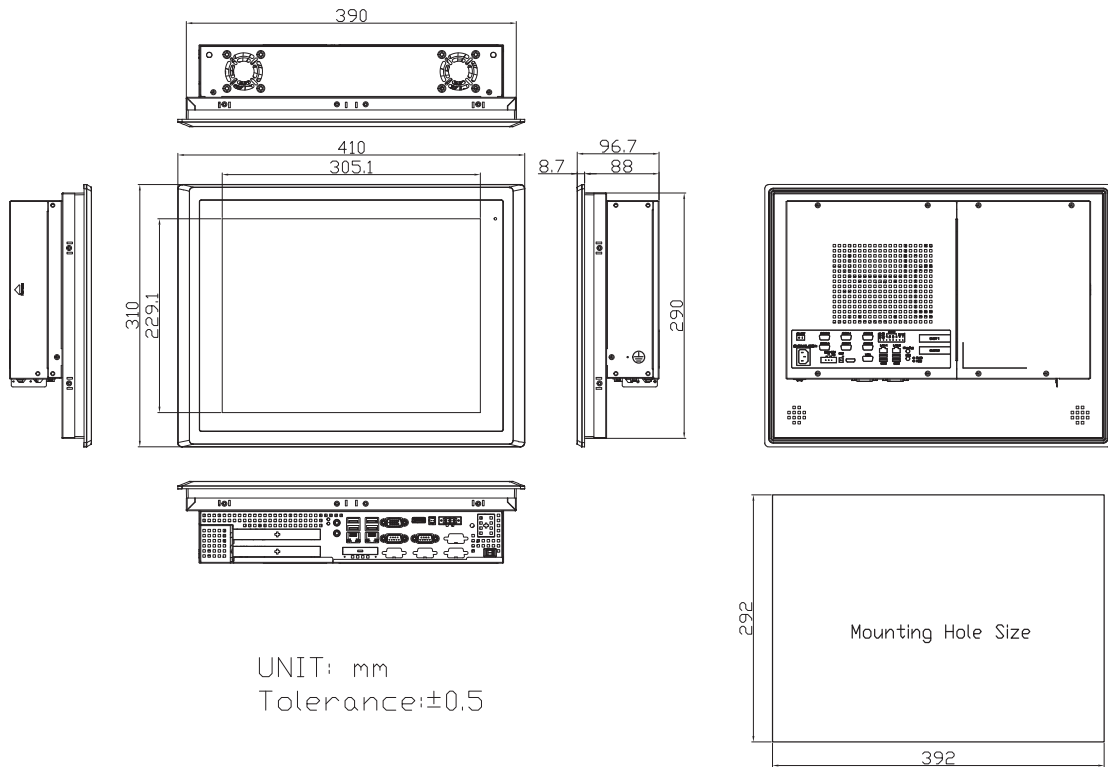
ViPAC 9XX Series

New Gen. Industrial Intelligent Application Panel PC

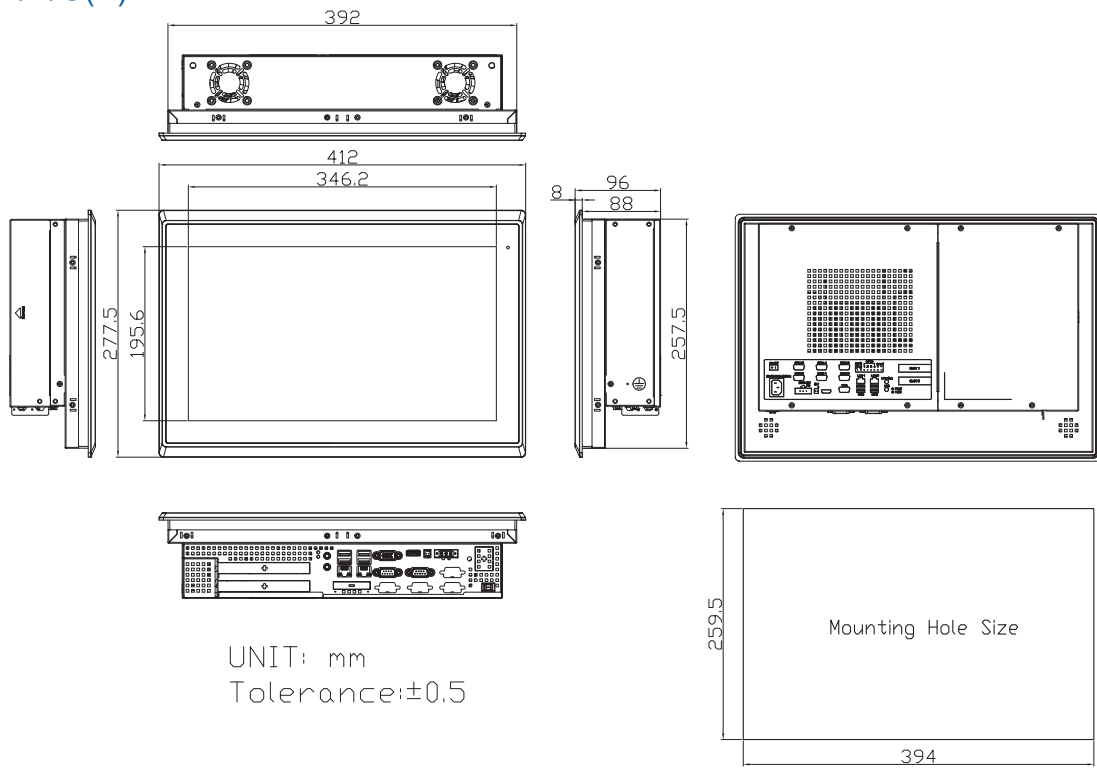


Model Name	ViPAC-915R/P/G(H)	ViPAC-916R/P/G(H)	ViPAC-917R/P/G(H)	ViPAC-921R/P/G(H)				
System								
Processor	Socket H4, 6th/7th Gen Intel Core Processor							
System Chipset	Intel H170							
System Memory	2 x 260-pin SO-DIMM up to 32GB DDR4 2133 MHz							
External I/O								
USB	4 x USB3.0 type A 4 x USB2.0 type A via TB-540(option)							
Serial/Parallel	1 x RS-232/422/485 DB9, default RS-232 1 x RS-232 DB9 1 x RS-422/485 DB9, default RS-485 3 x RS-232 DB9 (option)							
LAN	2 x GbE LAN RJ45							
Graph	1 x DB15 VGA, 1 x HDMI with Cover							
Audio	1 x Mic-in, 1 x Line-out, 2 x 2W speaker (option)							
Digital I/O	1 x 8-pin GPIO (3 x DI, 3 x DO, 1 x VCC, 1 x GND) (option)							
Others	1 x RFID at front bezel (option)							
Power connector	1 x 2-pin terminal block for external power switch 1 x LED indication for HDD 1 x LED indication for system 1 x LED indication for system at front 1 x 3-pin terminal block for power connector 1 x Power Switch on/off							
Storage Space								
HDD	2 x 2.5" SATA HDD space (Easily Accessible), support RAID 0, 1, 5							
Expansion								
Onboard expansion bus	1 x Mini PCIe (full size), 1 x Mini PCIe (half size) 1 x SIM slot (option)							
Expansion Slot	1 x PCIe x1, 1 x PCIe x16 slot via TB-560E11E161							
Display	Standard	High Brightness	Standard	High Brightness	Standard	High Brightness	Standard	High Brightness
Display type	15" TFT-LCD		15.6" TFT-LCD		17" TFT-LCD		21.5" TFT-LCD	
Max. resolution	1024 x 768		1366 x 768 (1920 x 1080 for option)	1366 x 768	1280 x 1024		1920 x 1080	
Max. color	16.2M	16.7M	16.7M	16.7M	16.7M	16.7M	16.7M	16.7M
Luminance(cd/m ²)	300	1000	300	1000	350	1000	250	1000
View angle(H°/V°)	176/176	160/150	160/160	160/160	160/140	170/160	178 /178	178/178
Contrast	2000:1	800:1	500:1	500:1	800:1	1000:1	3000:1	3000:1
Backlight lifetime(hrs)	70000	50000	50000	50000	50000	50000	30000	50000
Touch Screen								
Type	Resistive Touch / Projected Capacitive							
Interface	USB							
Light transmission(%)	Resistive Touch : 80% / Projected Capacitive : 90%							
Power								
Power input	DC 9~36V, AC power input (option)							
Power Consumption (TYP.)	ViPAC-915P: 35W	ViPAC-916P: 35W	ViPAC-917P: 39W	ViPAC-921P: 43W				
Mechanical								
Construction	Aluminum die-casting front bezel and steel chassis, Stainless steel front bezel (option)							
IP rating	IP66 compliant front bezel							
Mounting	Panel mount							
Dimension(mm)	410 x 310 x 96	412 x 277.5 x 96	439 x 348 x 95	557 x 362 x 99				
Net weight(Kg)	6.3	6.5	7.6	8.7				
Environment								
Operating temperature(°C)	0~50 (-20~60 option)	0~50	0~50 (-20~60 option)	0~50 (0~40 for high brightness model)				
Storage temperature(°C)	-30~70							
Humidity	10 to 95% @ 40°C, non- condensing							
Certification	CE/FCC Class A							
Operating System Support								
Windows embedded 7, Windows embedded 8.1, Windows 10 IoT ENT LTSB								

ViPAC-915R/P/G(H)



ViPAC-916R/P/G(H)



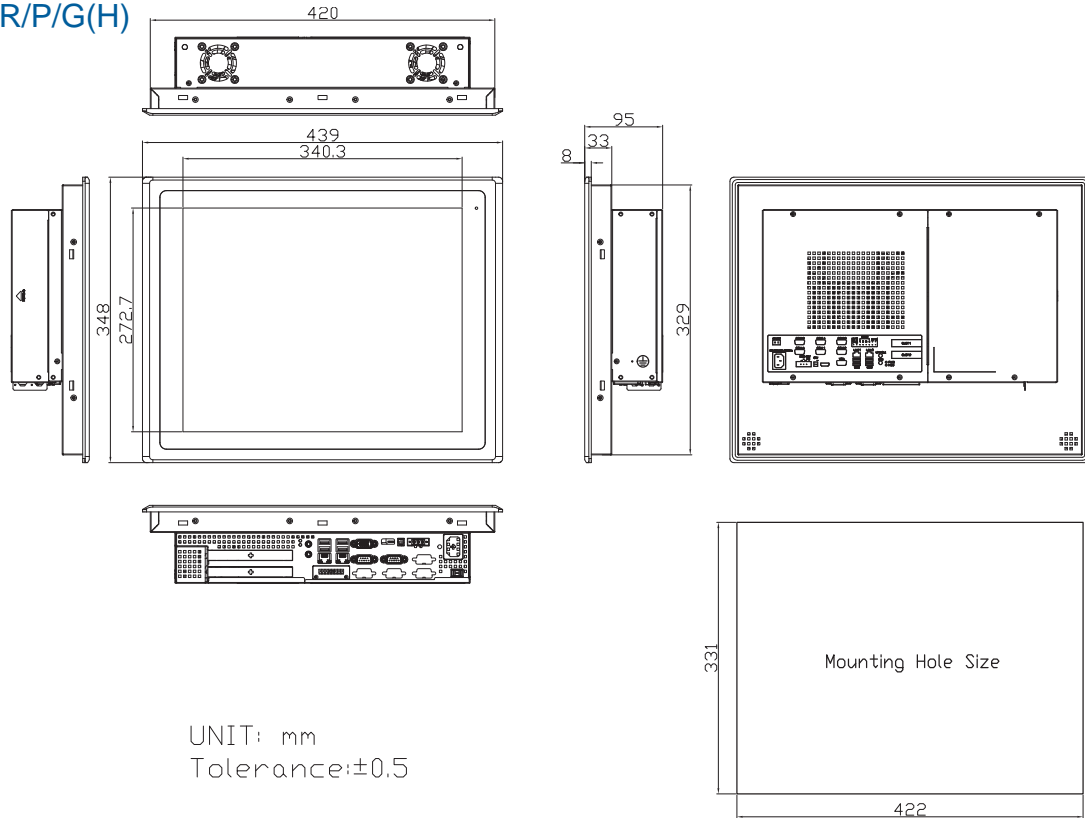
Ordering information

Model NO.	Description
ViPAC-915R	15" XGA Intel Core 6th Core i processor with H170 chipset, with Fan design panel PC, 2 x 260pin DDR4 SO-DIMM slot, 2 x 2.5" HDD/SSD space, 1 x PCIe x1 and 1 x PCIe X16 slot, resistive touch window, 9~36VDC power input with Adapter, Alu.die-casting front bezel.
ViPAC-915P	15" XGA Intel Core 6th Core i processor with H170 chipset, with Fan design panel PC, 2 x 260pin DDR4 SO-DIMM slot, 2 x 2.5" HDD/SSD space, 1 x PCIe x1 and 1 x PCIe X16 slot, projected capacitive touch, 9~36VDC power input with Adapter, Alu.die-casting front bezel.
ViPAC-916R	15.6" WXGA Intel Core 6th Core i processor with H170 chipset, with Fan design panel PC, 2 x 260pin DDR4 SO-DIMM slot, 2 x 2.5" HDD/SSD space, 1 x PCIe x1 and 1 x PCIe X16 slot, resistive touch window, 9~36VDC power input with Adapter, Alu.die-casting front bezel.
ViPAC-916P	15.6" WXGA Intel Core 6th Core i processor with H170 chipset, with Fan design panel PC, 2 x 260pin DDR4 SO-DIMM slot, 2 x 2.5" HDD/SSD space, 1 x PCIe x1 and 1 x PCIe X16 slot, projected capacitive touch, 9~36VDC power input with Adapter, Alu.die-casting front bezel.

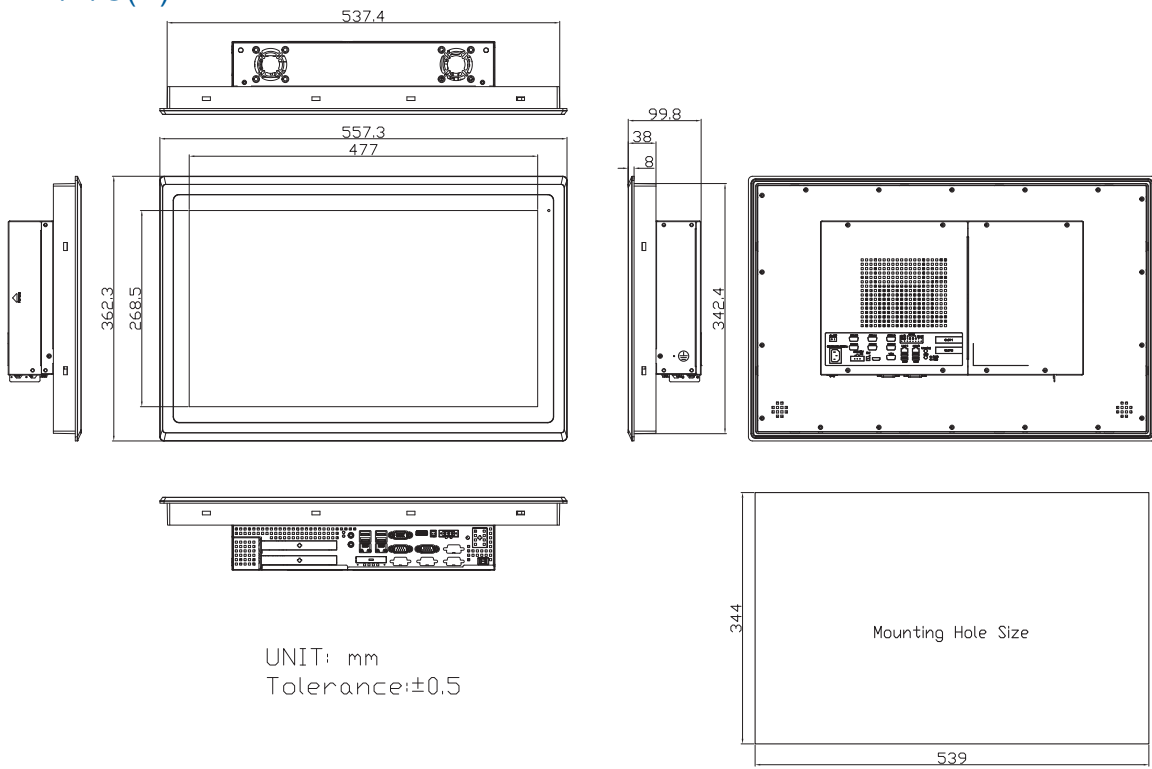
ViPAC 9XX Series

New Gen. Industrial Intelligent Application Panel PC

ViPAC-917R/P/G(H)



ViPAC-921R/P/G(H)



Ordering information

Model NO.	Description
ViPAC-917R	17" SXGA Intel Core 6th Core i processor with H170 chipset, with Fan design panel PC, 2 x 260pin DDR4 SO-DIMM slot, 2 x 2.5" HDD/SSD space, 1 x PCIe x1 and 1 x PCIe X16 slot, resistive touch window, 9~36VDC power input with Adapter, Alu.die-casting front bezel.
ViPAC-917P	17" SXGA Intel Core 6th Core i processor with H170 chipset, with Fan design panel PC, 2 x 260pin DDR4 SO-DIMM slot, 2 x 2.5" HDD/SSD space, 1 x PCIe x1 and 1 x PCIe X16 slot, projected capacitive touch, 9~36VDC power input with Adapter, Alu.die-casting front bezel.
ViPAC-921R	21.5" FHD Intel Core 6th Core i processor with H170 chipset, with Fan design panel PC, 2 x 260pin DDR4 SO-DIMM slot, 2 x 2.5" HDD/SSD space, 1 x PCIe x1 and 1 x PCIe X16 slot, resistive touch window, 9~36VDC power input with Adapter, Alu.die-casting front bezel.
ViPAC-921P	21.5" FHD Intel Core 6th Core i processor with H170 chipset, with Fan design panel PC, 2 x 260pin DDR4 SO-DIMM slot, 2 x 2.5" HDD/SSD space, 1 x PCIe x1 and 1 x PCIe X16 slot, projected capacitive touch, 9~36VDC power input with Adapter, Alu.die-casting front bezel.



ViPAC 8XX Series

New Gen. Industrial Intelligent Application Panel PC

Intel Celeron N2930 Panel PC

- Intel Celeron N2930 Processor
- Fanless design
- Projected Capacitive Touch, Resistive touch screen and protection glass for option
- Front Bezel IP66
- Wide range DC 9~36V, option AC power input

<p>Wide 9~36V DC Power</p>	<p>IP66 F Panel</p>	<p>0~50°C</p>
<p>PCI/PCIe expansion</p>	<p>Touch Screen</p>	<p>Wide Temp Option</p>

High Performance and low power consumption design



Modular concept



2 x Expansion Slot



Easily Accessible Storage Design



Front bezel IP66



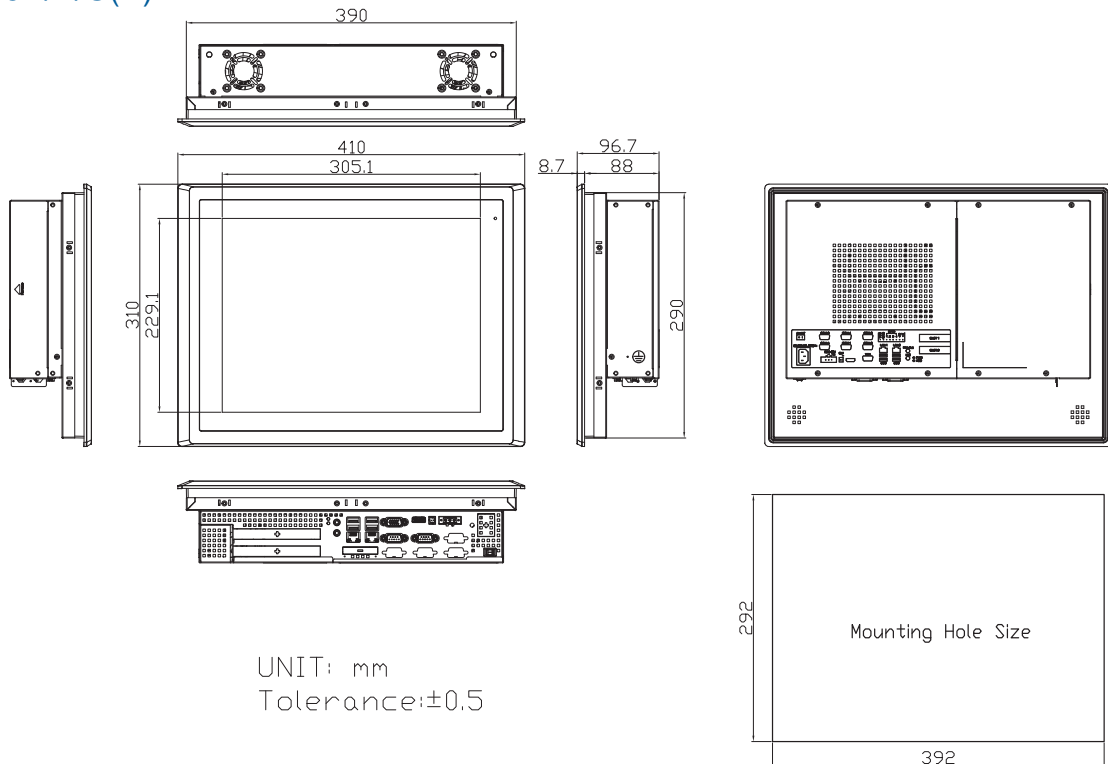
ViPAC 8XX Series

New Gen. Industrial Intelligent Application Panel PC

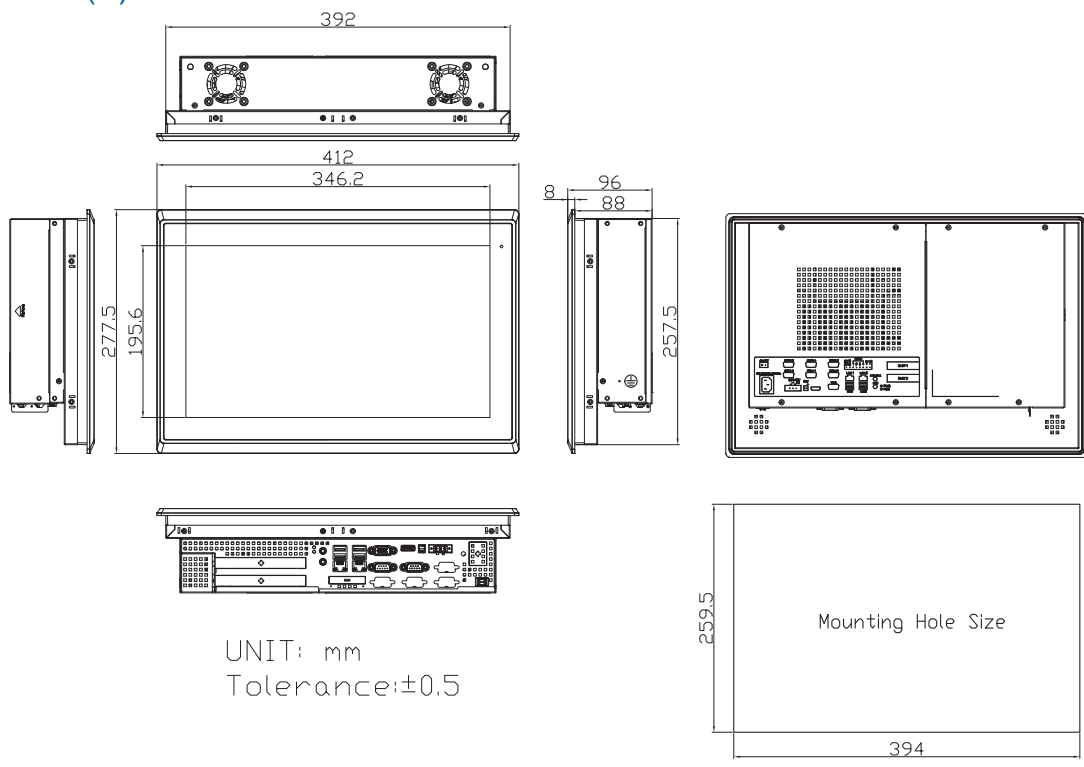


Model Name	ViPAC-815R/P/G(H)	ViPAC-816R/P/G(H)	ViPAC-817R/P/G(H)	ViPAC-821R/P/G(H)				
System								
Processor	Onboard Intel Celeron N2930 Processor (2M Cache, 1.83GHz)							
System Chipset	SoC							
System Memory	2 x 204-pin SO-DIMM up to 8GB DDR3L 1333MHz							
External I/O								
USB	4 x USB3.0 type A							
Serial/Parallel	1 x RS-232/422/485 DB9, default RS-232 1 x RS-232 DB9 1 x RS-422/485 DB9, default RS-485 3 x RS-232 DB9 (option)							
LAN	2 x GbE LAN RJ45							
Graph	1 x DB15 VGA, 1 x HDMI with Cover							
Audio	1 x Mic-in, 1 x Line-out, 2 x 2W speaker (option)							
Digital I/O	1 x 8-pin GPIO (3 x DI, 3 x DO, 1 x VCC, 1 x GND) (option)							
Others	1 x RFID at front bezel (option)							
Power connector	1 x 2-pin terminal block for external power switch 1 x LED indication for HDD 1 x LED indication for system 1 x LED indication for system at front 1 x 3-pin terminal block for power connector 1 x Power Switch on/off							
Storage Space								
HDD	1 x 2.5" SATA HDD space (Easily Accessible)							
Expansion								
Onboard expansion bus	1 x Mini PCIe (full size), 1 x Mini PCIe (half size) 1 x SIM slot (option)							
Expansion Slot	1 x PCI, 1 x PCIe x1 slot via TB-560P1E11 (default)							
Display	Standard	High Brightness	Standard	High Brightness	Standard	High Brightness	Standard	High Brightness
Display type	15" TFT-LCD		15.6" TFT-LCD		17" TFT-LCD		21.5" TFT-LCD	
Max. resolution	1024 x 768		1366 x 768 (1920 x 1080 for option)	1366 x 768	1280 x 1024		1920 x 1080	
Max. color	16.2M	16.7M	16.7M	16.7M	16.7M	16.7M	16.7M	16.7M
Luminance(cd/m ²)	300	1000	300	1000	350	1000	250	1000
View angle(H°/V°)	176/176	160/150	160/160	160/160	160/140	170/160	178 /178	178/178
Contrast	2000:1	800:1	500:1	500:1	800:1	1000:1	3000:1	3000:1
Backlight lifetime(hrs)	70000	50000	50000	50000	50000	50000	30000	50000
Touch Screen								
Type	Resistive Touch / Projected Capacitive							
Interface	USB							
Light transmission(%)	Resistive Touch : 80% / Projected Capacitive : 90%							
Power								
Power input	DC 9~36V, AC power input (option)							
Power Consumption (TYP.)	ViPAC-815P: 17W	ViPAC-816P: 17W	ViPAC-817P: 21W	ViPAC-821P: 24W				
Mechanical								
Construction	Aluminum front bezel (default), Stainless steel front bezel (option)							
IP rating	IP66 compliant front bezel							
Mounting	Panel mount							
Dimension(mm)	410 x 310 x 96	412 x 277.5 x 96	439 x 348 x 95	557 x 362 x 99				
Net weight(Kg)	6.3	6.5	7.0	8.3				
Environment								
Operating temperature(°C)	0~50 (-20~60 option)	0~50	0~50 (-20~60 option)	0~50 (0~40 for high brightness model)				
Storage temperature(°C)	-30~70							
Humidity	10 to 95% @ 40°C, non- condensing							
Certification	CE/FCC Class A							
Operating System Support								
Windows embedded 7, Windows embedded 8.1, Windows 10 IoT ENT LTSC								

ViPAC-815R/P/G(H)



ViPAC-816R/P/G(H)



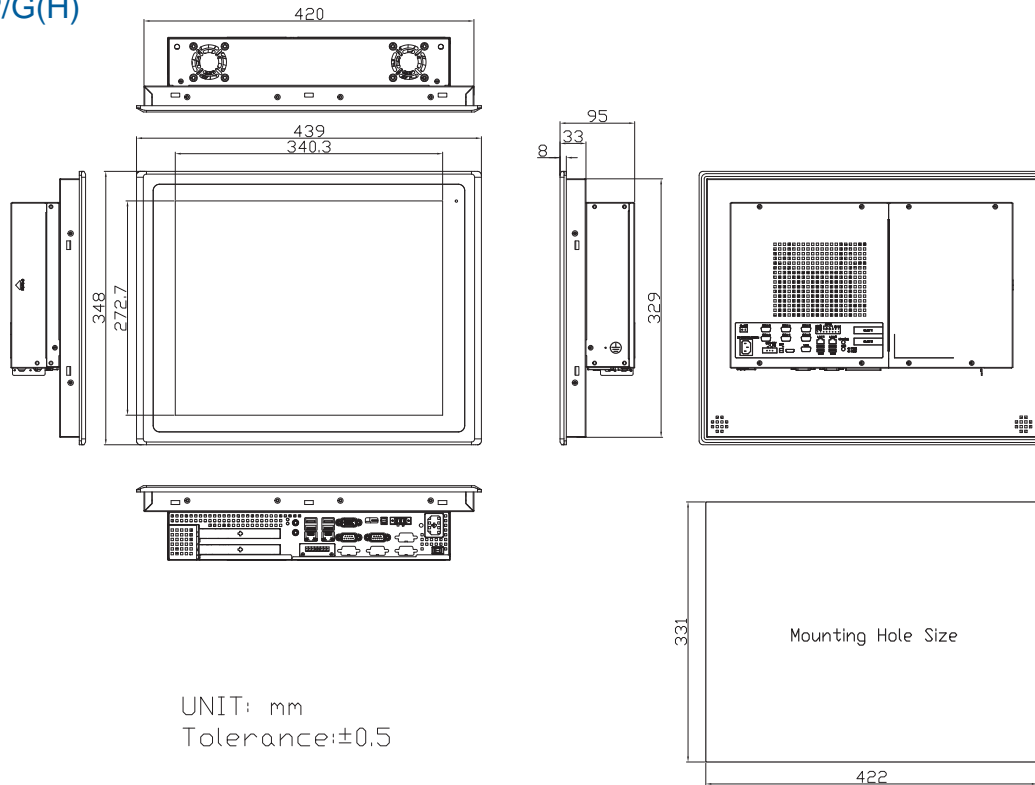
Ordering information

Model NO.	Description
ViPAC-815R	15" XGA Intel Celeron N2930 (1.83.GHz) CPU, Fanless panel PC, 2 x 204pin DDR3L SO-DIMM slot, 1 x 2.5" HDD/SSD space, 2 x PCIe X1 slot, resistive touch window, 9~36VDC power input with Adapter, Alu.die-casting front bezel
ViPAC-815P	15" XGA Intel Celeron N2930 (1.83.GHz) CPU, Fanless panel PC, 2 x 204pin DDR3L SO-DIMM slot, 1 x 2.5" HDD/SSD space, 2 x PCIe X1 slot, projected capacitive touch, 9~36VDC power input with Adapter, Alu.die-casting front bezel
ViPAC-816R	15.6" WXGA Intel Celeron N2930 (1.83.GHz) CPU, Fanless panel PC, 2 x 204pin DDR3L SO-DIMM slot, 1 x 2.5" HDD/SSD space, 2 x PCIe X1 slot, resistive touch window, 9~36VDC power input with Adapter, Alu.die-casting front bezel
ViPAC-816P	15.6" WXGA Intel Celeron N2930 (1.83.GHz) CPU, Fanless panel PC, 2 x 204pin DDR3L SO-DIMM slot, 1 x 2.5" HDD/SSD space, 2 x PCIe X1 slot, projected capacitive touch, 9~36VDC power input with Adapter, Alu.die-casting front bezel

ViPAC 8XX Series

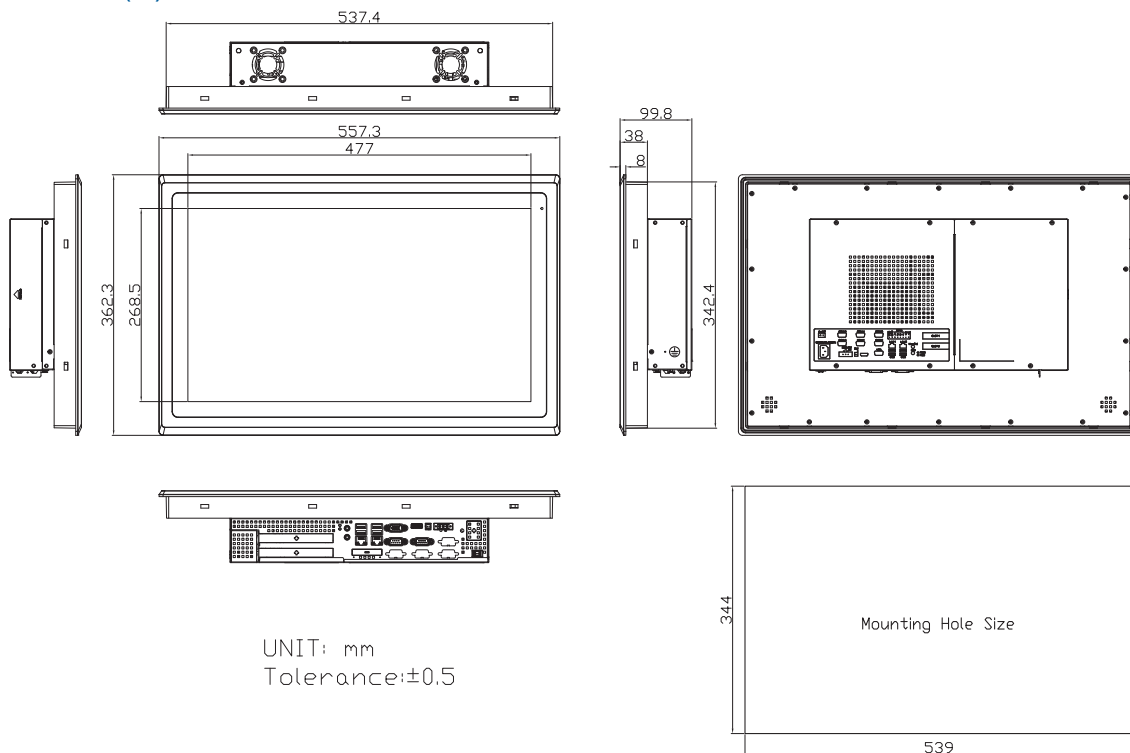
New Gen. Industrial Intelligent Application Panel PC

ViPAC-817R/P/G(H)



unit:mm

ViPAC-821R/P/G(H)



unit:mm

Ordering information

Model NO.	Description
ViPAC-817R	17" SXGA Intel Celeron N2930 (1.83.GHz) CPU, Fanless panel PC, 2 x 204pin DDR3L SO-DIMM slot, 1 x 2.5" HDD/SSD space, 2 x PCIe X1 slot, resistive touch window, 9~36VDC power input with Adapter, Alu.die-casting front bezel
ViPAC-817P	17" SXGA Intel Celeron N2930 (1.83.GHz) CPU, Fanless panel PC, 2 x 204pin DDR3L SO-DIMM slot, 1 x 2.5" HDD/SSD space, 2 x PCIe X1 slot, projected capacitive touch, 9~36VDC power input with Adapter, Alu.die-casting front bezel
ViPAC-821R	21.5" FHD Intel Celeron N2930 (1.83.GHz) CPU, Fanless panel PC, 2 x 204pin DDR3L SO-DIMM slot, 1 x 2.5" HDD/SSD space, 2 x PCIe X1 slot, resistive touch window, 9~36VDC power input with Adapter, Alu.die-casting front bezel
ViPAC-821P	21.5" FHD Intel Celeron N2930 (1.83.GHz) CPU, Fanless panel PC, 2 x 204pin DDR3L SO-DIMM slot, 1 x 2.5" HDD/SSD space, 2 x PCIe X1 slot, projected capacitive touch, 9~36VDC power input with Adapter, Alu.die-casting front bezel



APC-3X20 Series (APC-3220/APC-3920/APC-3420)

Intel Core i3/i5/i7 (Haswell) Marine Panel PC

Features

- 12.1"/19"/24" TFT LCD
- 4th Intel Core i3/i5/i7 Processor Haswell
- Aluminum Bezel and Housing with Anti-Corrosion Coating
- AR Touchscreen and AR Protection Glass for Optional
- Sunlight and Moonlight Readable Function
- Brightness Control from 0% to 100% by A Dimming Knob
- Anti-Shock and Anti-Vibration Design
- Wide Range 9~36V DC Power Input with Isolation Voltage
- Marine Adjustable Mounting Kit for Optional
- CE/FCC Class B, IEC 60945 Certified. Meet DNV Standard



APLEX APC-3X20 series Panel PC, specially designed for marine application, can be integrated in bridge, control room, radar communication, engine, electric control etc. APC-3X20 features 0~100% brightness dimming knob controller and front OSD to giving users a complete flexibility of operating. Moreover, the sunlight/moonlight function is able to adjust based on outdoor environmental conditions. APC-3X20's resistive touch LCD provides different sizes of displays for ease of information gathering & reading. The fanless APC-3X20 offers front bezel IP65 rating and salt protection chassis to avoid damage from seawater and ocean weather.

About DNV Standard
DET NORSKE VERITAS (DNV) maritime certification of series reliability, EMI, and safety test.




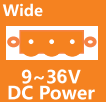




APC-3X20 Series

Marine Panel PC

4th Gen. Intel® Core™ i3/i5 Panel PC

- High Performance 4th Gen. Intel i3/i5/i7 Processors
- Aluminum Bezel and Housing
- AR Touch Screen and AR Protection Glass for Optional
- Brightness Control From 0%~100%
- Wide range power input 9~36V DC with Isolation

 Fanless	 IP65 F Panel	 0~50°C
 Wide 9~36V DC Power	 AR Coating	 Wide Temp Option

High performance
4th gen. Intel Core i CPU



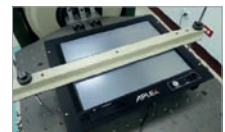
Anti-Corrosion Coating



Brightness control
from 0% to 100%



Anti-shock and
Anti-vibration design



Easily Accessible
Storage Design





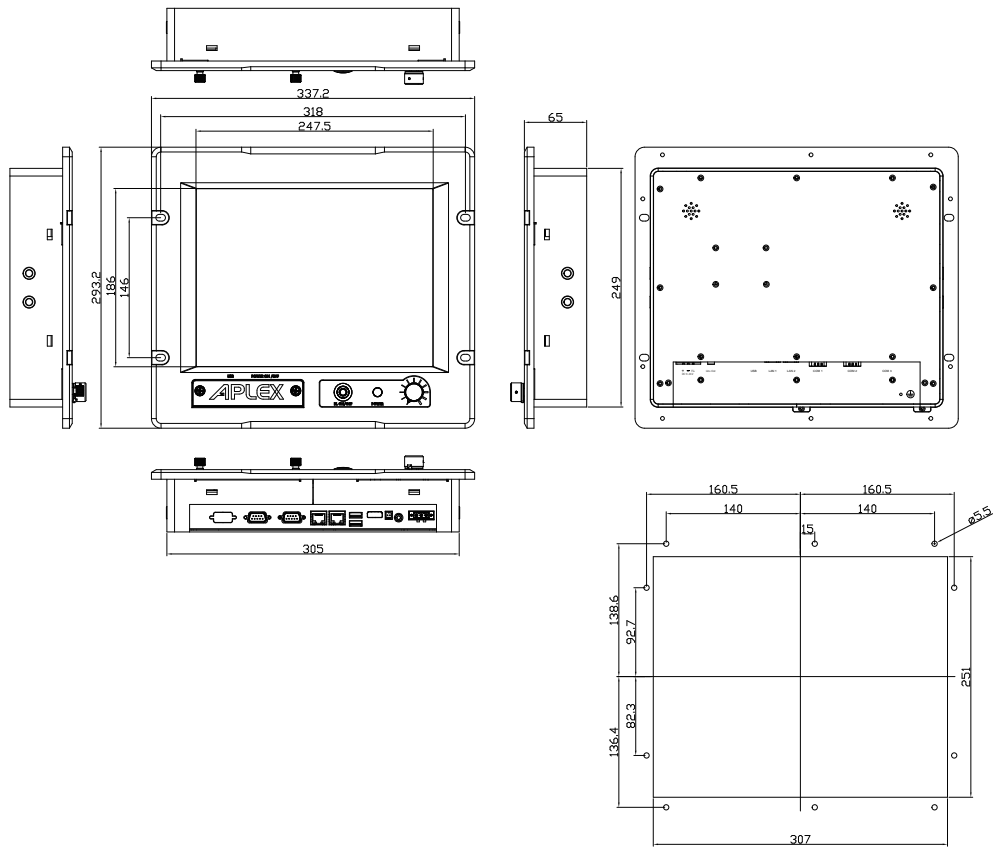
Specifications

Model Name	APC-3220	APC-3920	APC-3420
System			
Processor	Onboard 4th Gen. Intel Core i3/i5/i7 Processor		
System Chipset	SoC		
System Memory	Onboard 4GB DDR3L SDRAM		
External I/O			
USB	2 x USB 3.0 type A 1 x USB 2.0 type A (at front bezel with IP65 Cover, 19"/24" default, 12.1" optional)		
Serial/Parallel	1 x RS-232/422/485 selectable default RS-485 DB9(COM1) 2 x RS-232 DB9(COM3/4) 1 x RS-422/485 with isolation DB9(Optional)		
LAN	2 x GbE RJ-45		
Audio	1 x Line-out phone jack		
Power connector	1 x 3-pin DC power connector 1 x LED light for power and HDD indication 1 x 2-pin remote power switch 1 x Power on/off button (at front bezel with IP65 Cover)		
VR Dimming Control	1 x VR Dimm-Knob for 0%~100% brightness control(at front bezel with IP65 design) 1 x Backlight on/off and touch on/off button		
Storage Space			
HDD	1 x 2.5" SATA2 (Easily Accessible storage design only for 19"/24")		
Movable device	1 x Internal SD slot on board 1 x internal CF slot (Optional)		
Expansion			
Onboard expansion bus	1 x Mini PCIe full size slot on board Option wifi/BT or 3G with Antenna (Full size)		
Expansion slot	1 x Mini PCIe full size slot on board by TB-528C2ME1 Option isolation 2 x RS-422/485 isolation (Full size)		
Display			
Display type	12.1" TFT-LCD	19" TFT-LCD	24" TFT-LCD
Max. resolution	1024 x 768	1280 x 1024	1920 x 1080
Max. color	16.2M	16.7M	16.7M
Luminance(cd/m ²)	500	350	300
View angle(H°/V°)	160/140	170/160	178/178
Contrast	700:1	1000:1	5000:1
Backlight lifetime(hrs)	30000	50000	50000
Touch Screen			
Type	Resistive (option)		
Interface	USB		
Light transmission(%)	80%		
Power			
Power input	9~36V DC		
Power Consumption	Max:34W	Max:42W	Max:47W
Mechanical			
Construction	Aluminum (10mm) bezel and Aluminum housing (Anti-Corrosion Coating)		
IP rating	Front bezel IP65		
Mounting	Panel Mount/ Front Access Mount/ Mounting Bracket (Optional)		
Dimension(mm)	337.2 x 293.2 x 65	484 x 400 x 65	647 x 414 x 65
Net weight(Kg)	4.6	9.5	11.7
Environment			
Operating temperature(°C)	0~50		
Storage temperature(°C)	-30~70		
Humidity	10 to 95% @ 40°C, non- condensing		
Vibration/Shock	1G/ 5 ~ 500Hz(Random)/ Operation 15G peak acceleration(11 msec. duration)/ operation/FCC Class A		
Certification	CE/FCC Class B/IEC 60945/ (Meet IACS E10/DNV)		
Operating System Support			
Windows Embedded 7 Windows Embedded 8.1 Windows 10 IoT ENT LTSB			

APC-3X20 Series

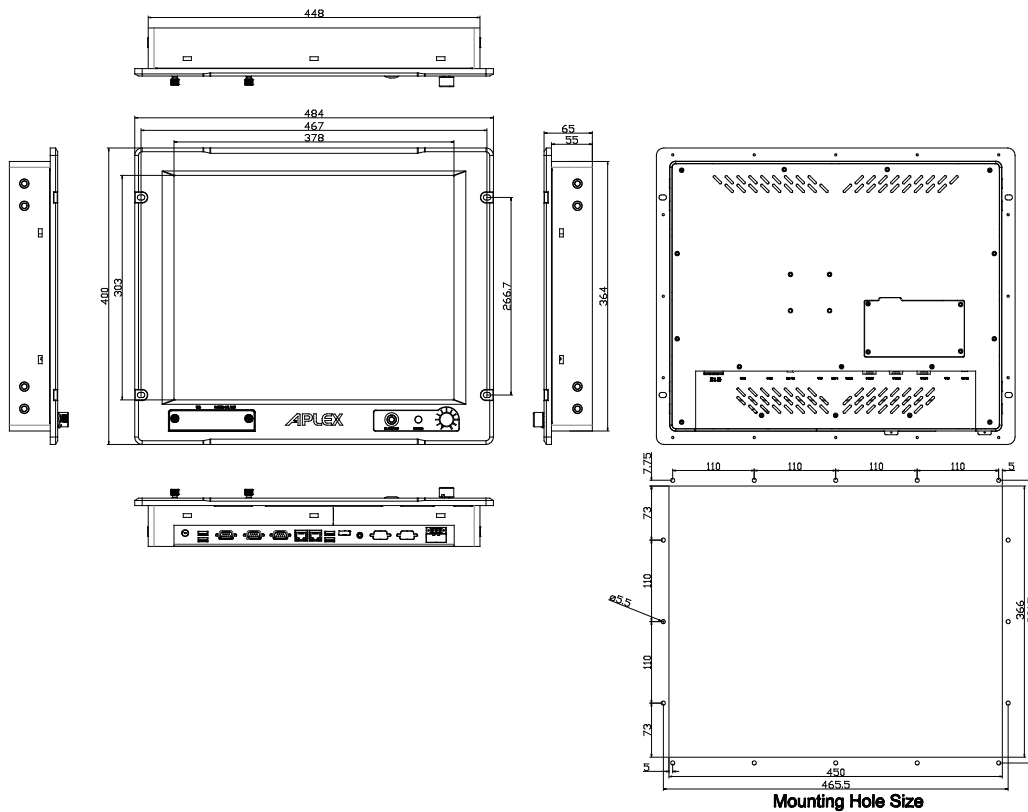
Marine Panel PC

APC-3220



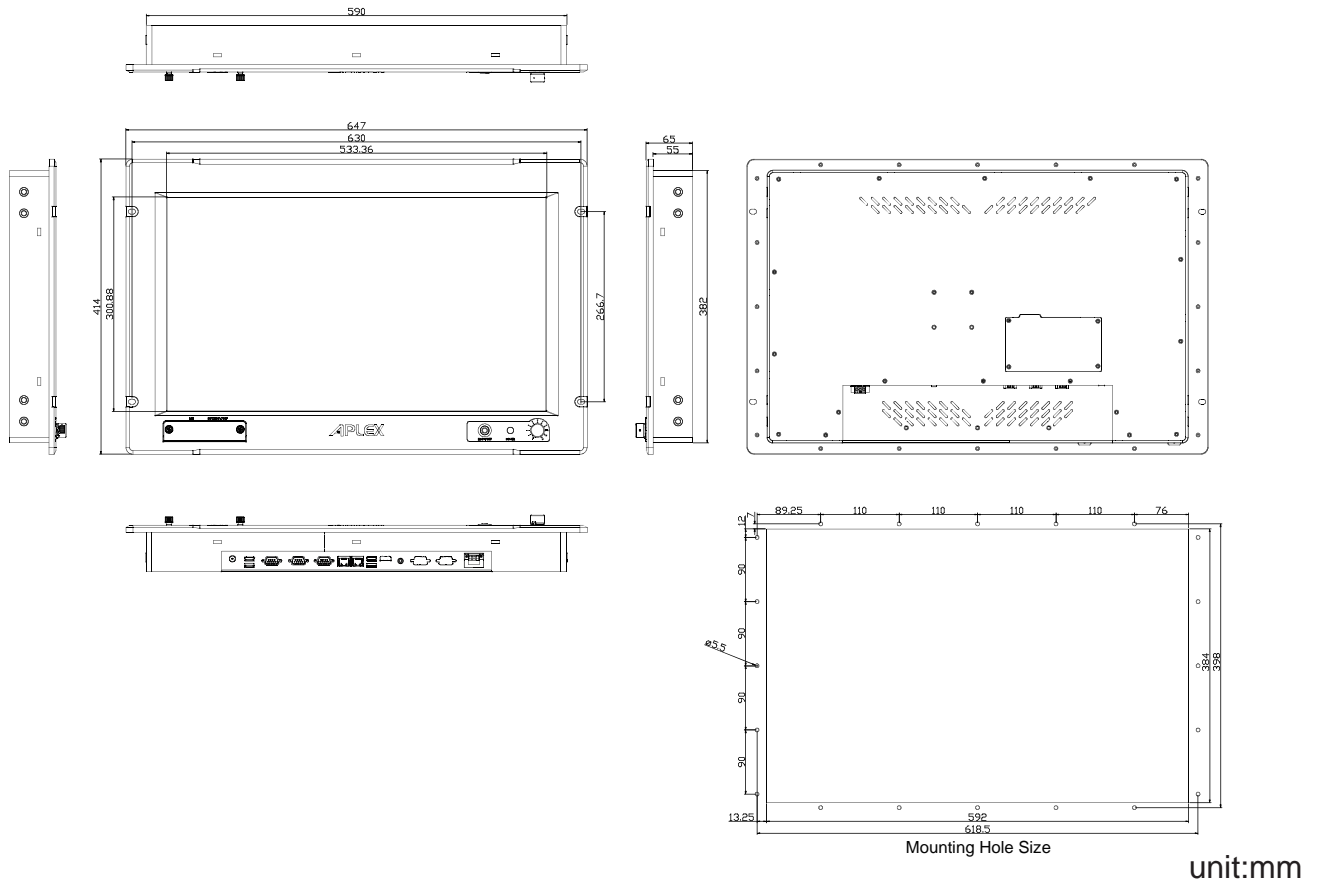
unit:mm

APC-3920



unit:mm

APC-3420



Ordering information

Model NO.	Description
APC-3220-01	12.1" SVGA Marine panel PC bare bone, Intel Core i5-4350U 1.4GHz processor, 4G DDR3, 2.5" SATA 2 320G Industrial HDD, with resistive touch, DC 9~36V power input with Adapter, Aluminum (10mm) bezel and Aluminum enclosure
APC-3920-01	19" SXGA Marine panel PC bare bone, Intel Core i5-4350U 1.4GHz processor, 4G DDR3, 2.5" SATA 2 320G Industrial HDD, with resistive touch, DC 9~36V power input with Adapter, Aluminum (10mm) bezel and Aluminum enclosure
APC-3420-01	24" FHD Marine panel PC bare bone, Intel Core i5-4350U 1.4GHz processor, 4G DDR3, 2.5" SATA 2 320G Industrial HDD, with resistive touch, DC 9~36V power input with Adapter, Aluminum (10mm) bezel and Aluminum enclosure

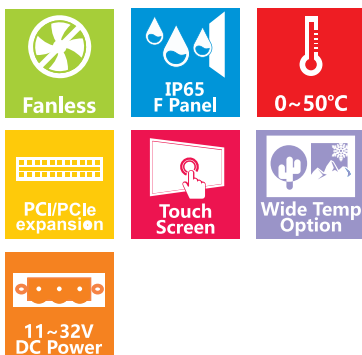


APC-3XX9A Series

Industrial Expandable Panel PC

4th Gen. Intel® Core™ i3/i5/i7 Panel PC

- High Performance and Fanless Design
- 4th Generation Intel Core i3/i5/i7 (Haswell) CPU
- 2 x 2.5" SATA HDD Support RAID 0,1
- Resistive Touch Optional
- Support 1 x PCIe x16 slot



High performance
4th gen. Intel Core i CPU



Fanless Design with
Aluminum Heat-Sink for
thermal dissipation



Front bezel IP65



Easily Accessible
Storage Design
Support RAID 0, 1



Expansion slot
support 1 x PCIe x16 slot





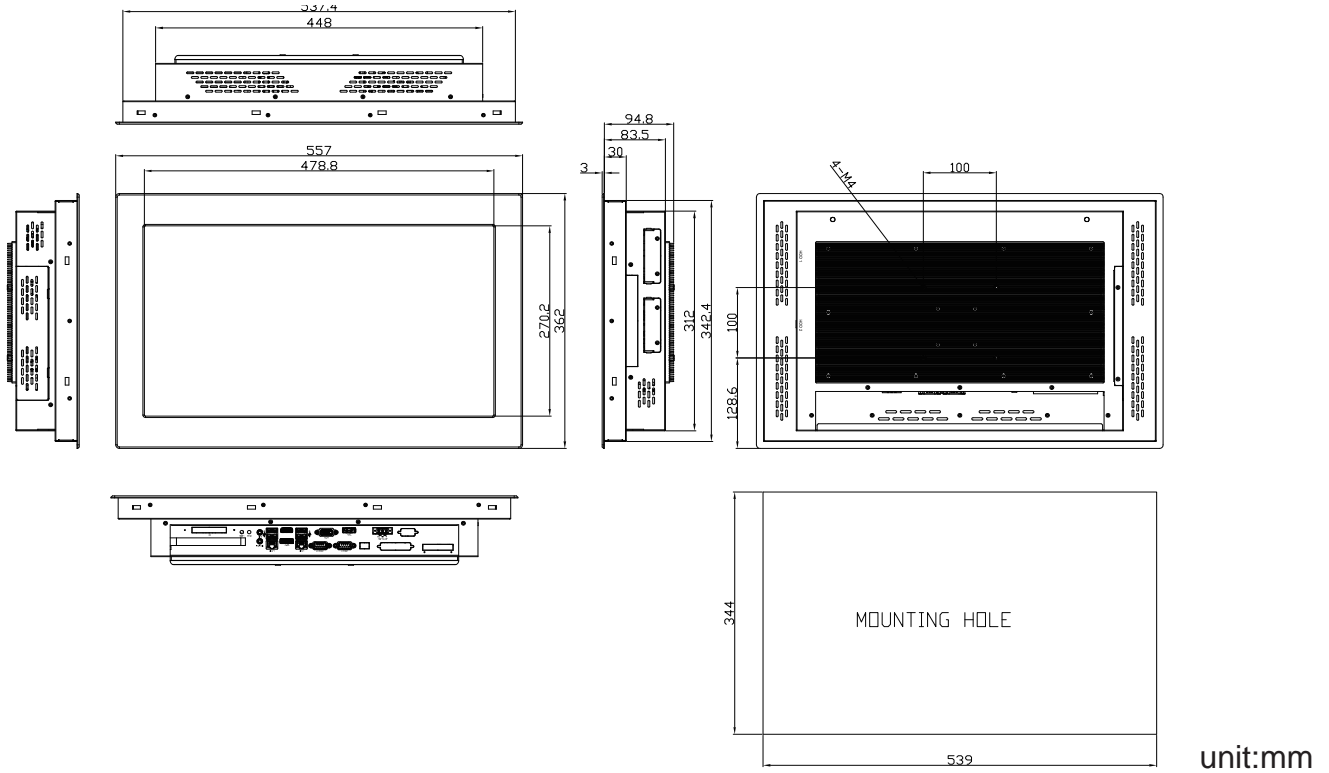
Specifications

Model Name	APC-3229A	APC-3249A
System		
Processor	4 th Gen Intel Core i3/i5/i7 processor (Haswell)	
System Chipset	SoC	
System Memory	2 x DDR3 SO-DIMM slot, up to 16GB 1600 MHz	
External I/O		
USB	4 x USB 3.0 type A	
Serial/Parallel	2 x RS-RS-232/422/485 selectable default RS-232 DB9 (COM1/COM2) 1 x RS-232 DB9 (COM3 for Optional)	
LAN	2 x GbE RJ-45	
Audio	1 x MIC-in, Line-out phone jack	
Graph	1 x VGA 2 x DP	
Digital I/O	1 x 8 pin (3in/3out/VCC/GND) terminal block connector for optional	
Power connector	1 x 3pin DC power connector 1 x Rocker switch for power on/off for optional 2 x LED light for power and HDD indication	
Storage Space		
HDD	2 x 2.5" SATA2 (Support RAID 0,1) Easily accessible design	
Movable device	1 x mSATA slot (Full size), 1 x Internal CF slot for optional, 1 x slim DVD RW for optional	
Expansion		
Onboard expansion bus	1 x Mini PCIe full size	
Expansion slot	1 x PCIe x 16 slot	
Display		
Display type	21.5" TFT-LCD	24" TFT-LCD
Max. resolution	1920 x 1080	1920 x 1080
Max. color	16.7M	16.7M
Luminance(cd/m ²)	250	300
View angle(H°/V°)	178/178	178/178
Contrast	3000:1	3000:1
Backlight lifetime(hrs)	30000	50000
Touch Screen		
Type	Projected Capacitive optional Resistive optional	Resistive optional
Interface	USB	
Light transmission(%)	Projected Capacitive: 90% Resistive: 80%	
Power		
Power input	11~32V DC	
Power Consumption	Max:44W	Max:64W
Mechanical		
Construction	Black steel back cover with aluminum heat-sink. Aluminum and stainless front bezel for optional	Black steel front bezel, black steel back cover with aluminum heat-sink. Aluminum and stainless front bezel for optional
IP rating	Front bezel IP65	
Mounting	Panel mounting / VESA 100 x 100	
Dimension(mm)	557 x 362 x 94.8	628.5 x 390 x 94.8
Net weight(Kg)	11.5	12.0
Environment		
Operating temperature(°C)	0~50	
Storage temperature(°C)	-30~70	
Humidity	10 to 95% @ 40°C, non- condensing	
Certification	CE/FCC class A	
Operating System Support		
Windows Embedded 7 Windows Embedded 8.1 Windows 10 IoT ENT LTSC		

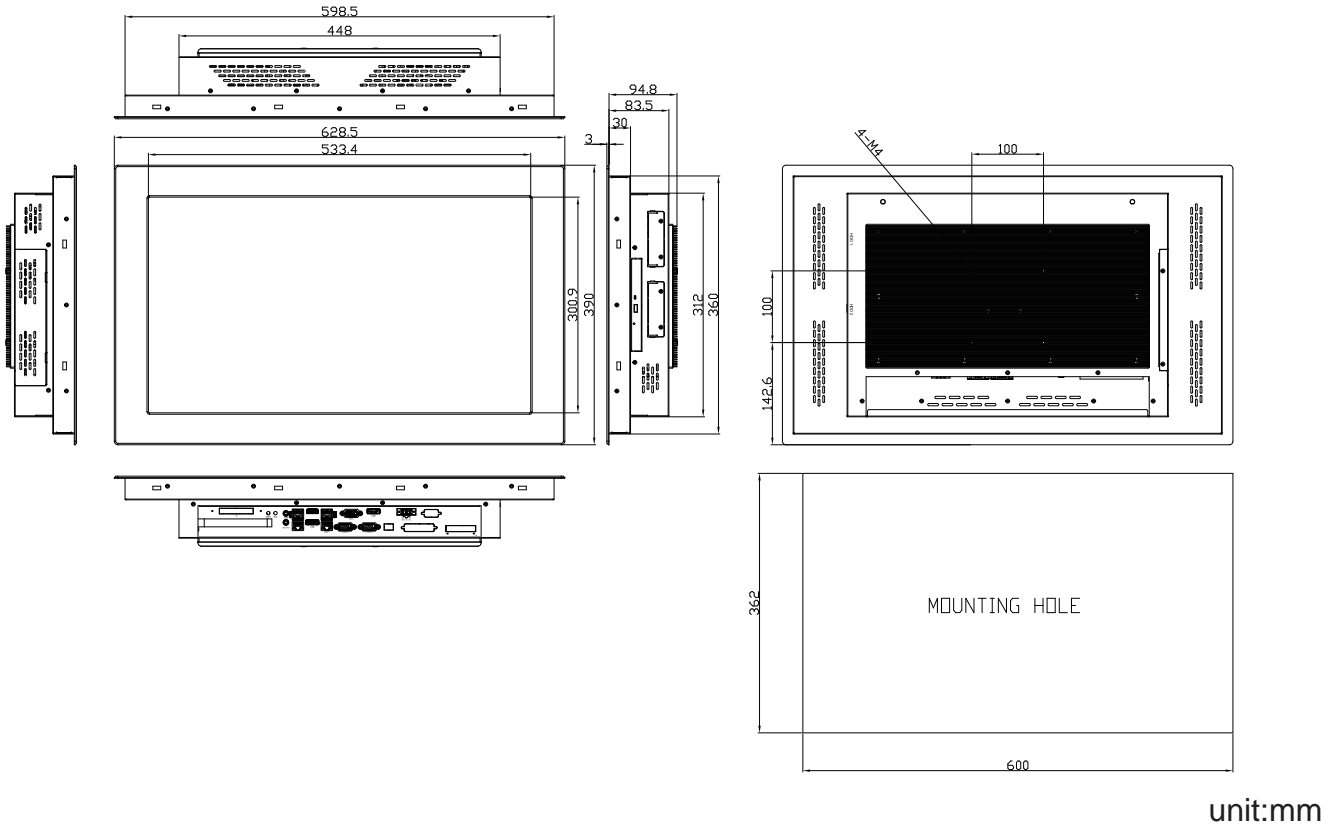
APC-3XX9A Series

Industrial Expandable Panel PC

APC-3229A



APC-3249A



Ordering information

Model NO.	Description
APC-3229AT	21.5" Full HD, 4 th Gen. Intel Core processor with Intel QM87 chipset, fanless design panel PC, 4GB DDR3 memory, 320GB SATA2 HDD, 1 X PCIe x16 slot, resistive touch, 11~32VDC power input with Adapter, black steel enclosure
APC-3229AT	21.5" Full HD, 4 th Gen. Intel Core processor with Intel QM87 chipset, fanless design panel PC, 4GB DDR3 memory, 320GB SATA2 HDD, 1 X PCIe x16 slot, Projected capacitive touch, 11~32VDC power input with Adapter, Aluminum front bezel and black steel enclosure
APC-3249AT	24" Full HD, 4 th Gen. Intel Core processor with Intel QM87 chipset, fanless design panel PC, 4GB DDR3 memory, 320GB SATA2 HDD, 1 X PCIe x16 slot, resistive touch, 11~32VDC power input with Adapter, black steel enclosure

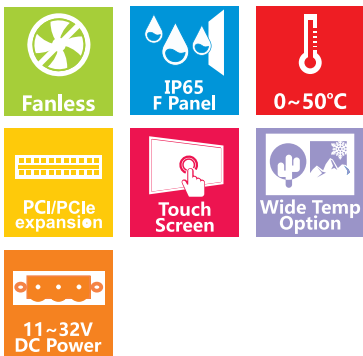


APC-3X19A Series

Industrial Expandable Panel PC

4th Gen. Intel® Core™ i3/i5/i7 Panel PC

- High Performance and Fanless Design
- Support wide operating temperature option -20~60°C
- 2 x 2.5" SATA HDD Support RAID 0, 1
- Resistive or projected capacitive touch for option
- Support 1 x PCIe x16 slot



Fanless Design with Aluminum Heat-Sink for thermal dissipation



Front bezel IP65



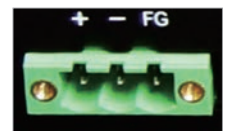
Easily Accessible Storage Design Support RAID 0, 1



Expansion slot support 1 x PCIe x 16 slot



Wide range 11~32V DC power input



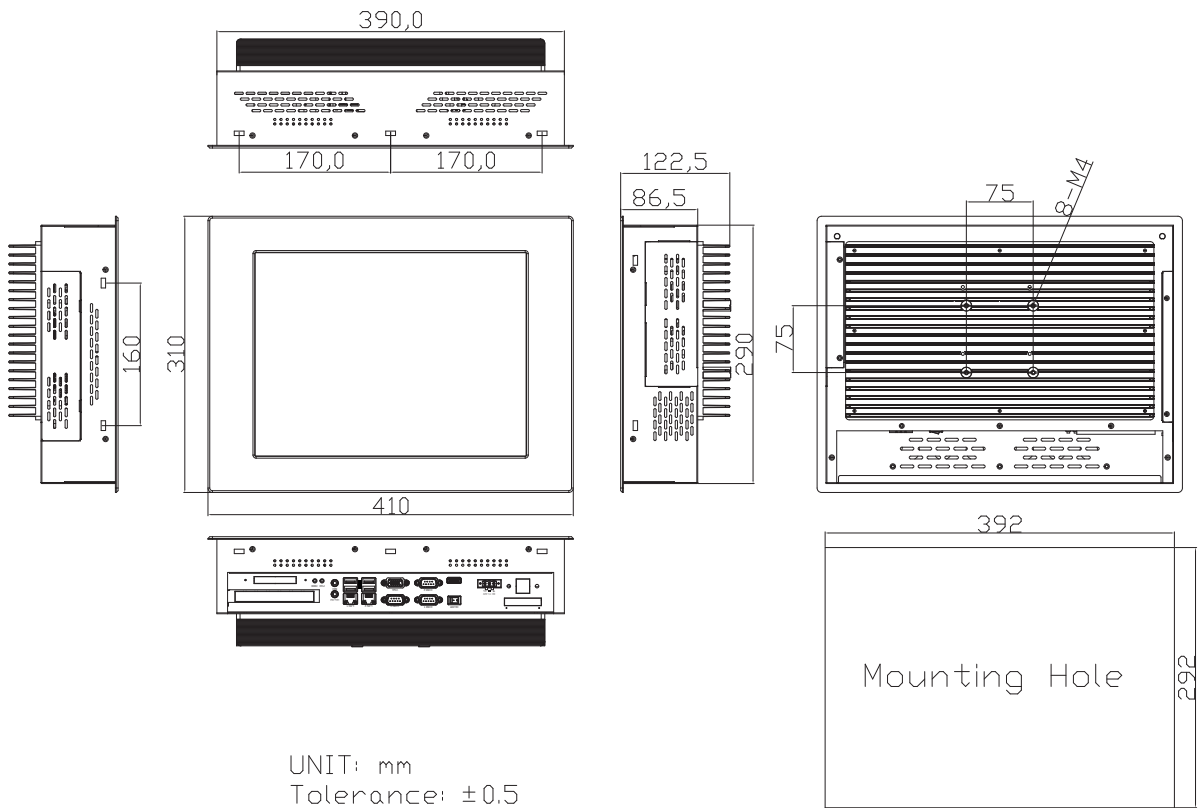
APC-3X19A Series

Industrial Expandable Panel PC



Model Name	APC-3519A	APC-3719A	APC-3919A
System			
Processor	4 th Gen. Intel Core i3/i5/i7 Processor		
System Chipset	Intel Q87		
System Memory	2 x DDR3 1066/1333/1600MHz SO-DIMM, up to 16GB		
External I/O			
USB	4 x USB 3.0 type A 2 x USB 2.0 Type A by cable (option)		
Serial/Parallel	3 x RS-232/422/485 DB9 (COM1, COM2, COM3), default RS-232		
LAN	2 x GbE RJ-45		
Graph	1 x VGA		
Audio	1 x Mic-in, Line-Out		
Digital I/O	1 x 8 Pin terminal block 3 in/3out/VCC/GND for option		
Power connector	1 x 3-pin DC power connector 1 x Rocker Switch for Power on/off		
Other	2 x LED Indication for Power and HDD		
Storage Space			
HDD	2 x 2.5" SATA3		
Movable device	1 x external CF slot for option		
Expansion			
Onboard expansion bus	1 x mSATA or 1 x Mini-PCIe slot for WIFI/BT/3G/GPS(half size)(option)		
Expansion Slot	1 x PCIe x16 slot via riser card		
Display			
Display type	15" TFT-LCD	17" TFT-LCD	19" TFT-LCD
Max. resolution	1024 x 768	1280 x 1024	1280 x 1024
Max. color	16.2M	16.2M	16.7M
Luminance(cd/m ²)	300	350	350
View angle(H°/V°)	176/176	170/160	170/160
Contrast	2000:1	1000:1	1000:1
Backlight lifetime(hrs)	70000	30000	50000
Touch Screen			
Type	Resistive (projected capacitive touch for option)		
Interface	USB		
Light transmission(%)	Resistive: 80% Projected capacitive: 90%		
Power			
Power input	11~32V DC		
Power Consumption	Max:33W	Max:35W	Max:43W
Mechanical			
Construction	Steel black or aluminum with resistive touch Aluminum with projected capacitive touch (only flat bezel design)		
IP rating	Front bezel IP65		
Mounting	Panel mounting / VESA 75 x 75	Panel mounting / VESA 75 x 75	Panel mounting / VESA 100 x 100
Dimension(mm)	410 x 310 x 122.5	439 x 348 x 119.1	484 x 400 x 119
Net weight(Kg)	9.5	10.8	12.9
Environment			
Operating temperature(°C)	0~50		
Storage temperature(°C)	-30~70		
Humidity	10 to 95% @ 40°C, non- condensing		
Certification	CE/FCC Class A		
Operating System Support			
Windows Embedded 7 Windows Embedded 8.1 Windows 10 IoT ENT LTSC			

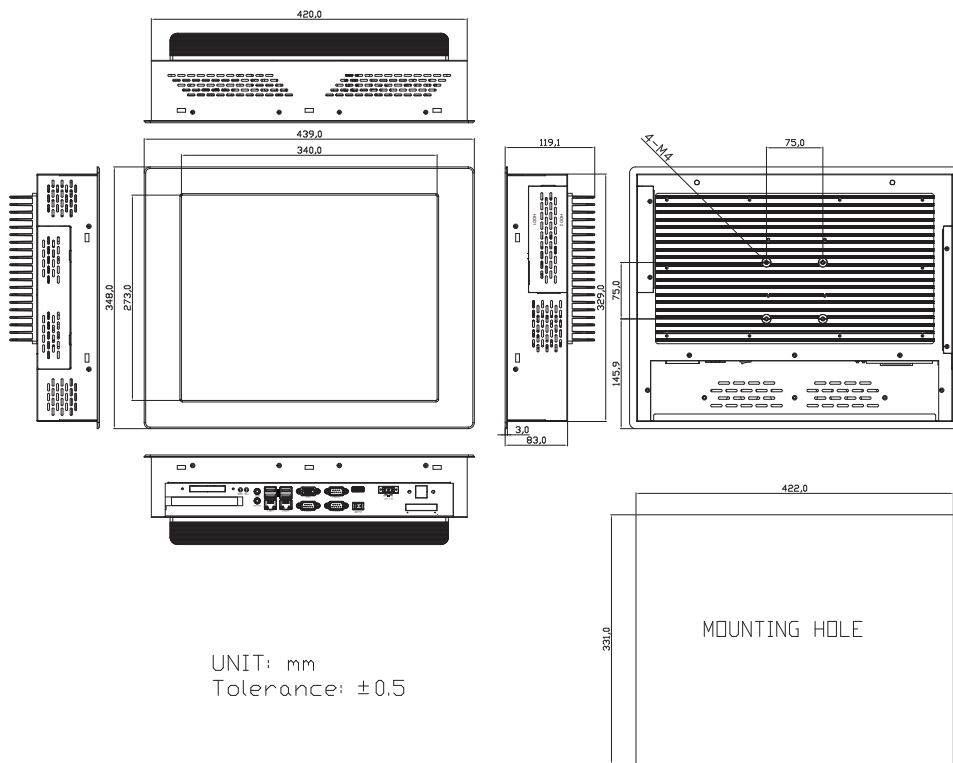
APC-3519A



UNIT: mm
Tolerance: ±0.5

unit:mm

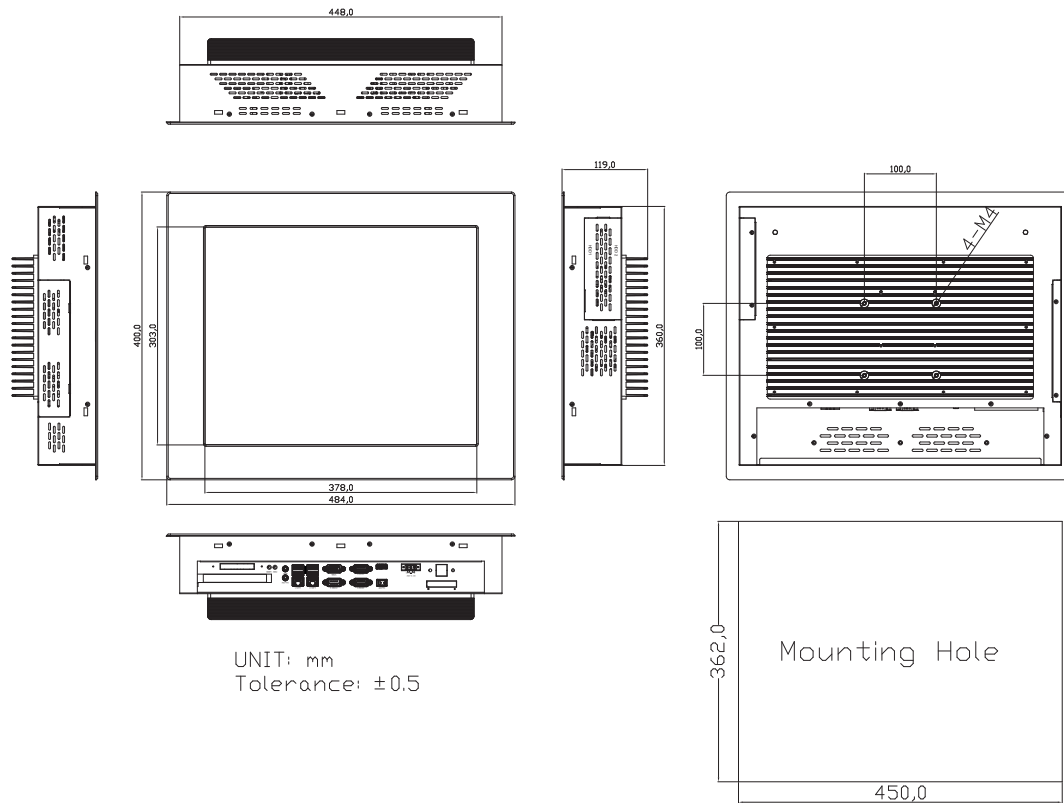
APC-3719A



UNIT: mm
Tolerance: ±0.5

unit:mm

APC-3919A



unit:mm

Ordering information

Model NO.	Description
APC-3519AT	15" XGA Intel Core i processor comes with Intel Q87 chipset, fan less design panel PC, (w/o CPU/RAM/HDD), 1 x PCIe x16 slot, resistive touch, 11~32VDC power input with Adapter, black steel enclosure.
APC-3719AT	17" SXGA Intel Core i processor comes with Intel Q87 chipset, fan less design panel PC, (w/o CPU/RAM/HDD), 1 x PCIe x16 slot, resistive touch, 11~32VDC power input with Adapter, black steel enclosure.
APC-3919AT	19" SXGA Intel Core i processor comes with Intel Q87 chipset, fan less design panel PC, (w/o CPU/RAM/HDD), 1 x PCIe x16 slot, resistive touch, 11~32VDC power input with Adapter, black steel enclosure.



In-Vehicle Industrial Panel PC



**INDUSTRY 4.0 EVOLVES
WAREHOUSING MANAGEMENT
INTO A SMART FUTURE**



HOW IN-VEHICLE CONNECTIVITY DRIVES THE EFFICIENT WAREHOUSE MANAGEMENT

A good warehouse management system can be installed in different ways to ensure reliability, efficiency, easy maintenance, and mission smoothly operating and

Rugged and Fanless Design

In the collisional environment, all series is rugged and fanless designed for easily keeping equipment maintenance. Strongly enhancing the reliability, efficiency, and stability.

APC-3072/3073 has the attractive front bezel designed and the surface adopts Aluminum which is lightweight, high strength and anti-corrosion. APC-3082/3083 has the special enclosure made by engineering plastic which is also lightweight and suits rugged conditions.



APC-3072 / 3073
Aluminum Front Bezel Design



APC-3082 / 3083
Rugged Plastic Housing

Touch Screen Monitor Technologies

APLEX in-vehicle panel PC series provides 5 wire resistive touch with 7H anti-scratch and over 80% of light transfer rate for improving the quality and clarity of display. Also, we offer a multi-touch screen for option.



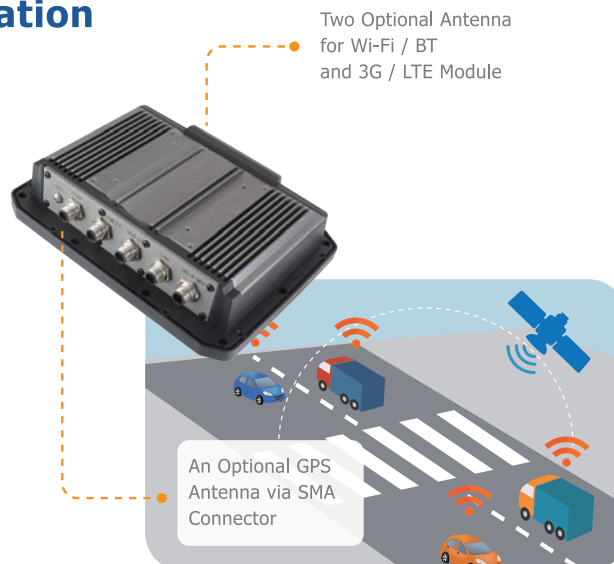
7H anti-scratch



Wireless

Wireless Communication

All series supports Bluetooth, Wi-Fi, GPS, and 3G/LTE network function for immediately tracking and managing the assets, as well as update 24/7 real-time location status and route information to the control center.



Various Mounting

To attach our Panel PC in different ways. We supply many mounting ways such as VESA mount 75x75 / 100x100 mount (option).

Front-Function Key



ent needs to carefully structure each stage so it can bring lots of benefits to companies. APLEX In-Vehicle Panel
 ent types of vehicles in the warehouse and depots, such as forklifts and engineering trucks to reach high stability,
 ntenance, and well communication. APLEX In-Vehicle Panel PC solution can perfectly monitor and keep each
 nd running the assignments to minimize the errors.



IP66 Waterproof and M12 I/O connectors

Since logistic application includes indoor and outdoor, accompanying by humid, dusty environment. APLEX Panel PC is equipped with 6 sides IP66 certified protection with M12 connectors which can be tightly screwed in and avoid descent of water and dust-proof, in case the water damage the machine when it will be operated outdoor.



Ways

ent types of vehicle,
 s including Panel
 00x100 and YOKE

ypad



High brightness Sunlight Readable LED Backlight LCD

High luminance is provided from 600 nits up to 1,000 nits for optional which can be used in semi-outdoor to aim the sunlight readable solutions. LED backlight LCD can greatly save the power consumption and provide the longer LCD lifetime.



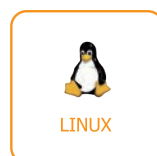
ACC Control Design

ACC power delayed on/off function which can customize the period of time to delay panel PC power up and shutdown, as well as prevent from system crash and damaging the hardware because of computer suddenly shutting down.



Optional ACC Control with Ignition On/Off Delay Function

Operation System Support / Certification





WAREHOUSE ENVIRONMENT

Warehouse Environment is complex and tough, combining with the wide temperature range, high turnovers, and a multitude of inventory. From receiving inventory, asset management and tracking, order selection to shipping and delivering, it requires high safety, low errors, quality assurance and high efficiency.

APLEX In-Vehicle Panel PC is creatively designed for managing and automating the process of warehouse management and it integrates web connectivity for applications in vehicle management.

According to your requirement, you can evaluate the necessities and easily do the OS decision-making according to your needs of the software.



APC-3072 / 3082

- Intel Atom Processor E3845
- Onboard 4GB DDR3L Memory
- 1 x mSATA slot and 1 x Micro SD slot Onboard
- 1 x SIM slot Onboard
- Total IP66 Rating
- Front Function Keyboard
- Wide Range DC 6~36V Power Input

APC-3073 / 3083

- ARM Cortex A9 Processor i.MX6 DualLite 1.0GGHz
- Onboard 1GB DDR3L Memory
- Onboard 4G eMMC
- 1 x Micro SD slot Onboard
- 1 x SIM slot Onboard
- Total IP66 Rating
- Front Function Keyboard
- Wide Range DC 6~36V Power Input



APC-3082

Rugged Industrial Panel PC

Vehicle Management Panel PC

- Rugged, Total Waterproof IP65 Grade
- Rugged Plastic Housing
- Brightness Control From 0%~100% by OSD Keypad
- Wide Range DC 6~36V Power Input
- ACC Ignition function(optional)
- Wi-Fi/Bluetooth/3G/GPS Module for Optional
- Vehicle Adjustable Mounting Kit for Optional
- CE/FCC Class A/MIL810F/IEC60950 Certified

 Fanless	 IP65	 -20~60°C
 Wide 6~36V DC Power	 Touch Screen	 Wide Temp Option
 OSD	 High Brightness	

Low power consumption
Intel Atom E3845
processor



Rugged Plastic Housing



5 wire resistive touch



Wide range
DC 6~36V power input



Total IP65 Waterproof



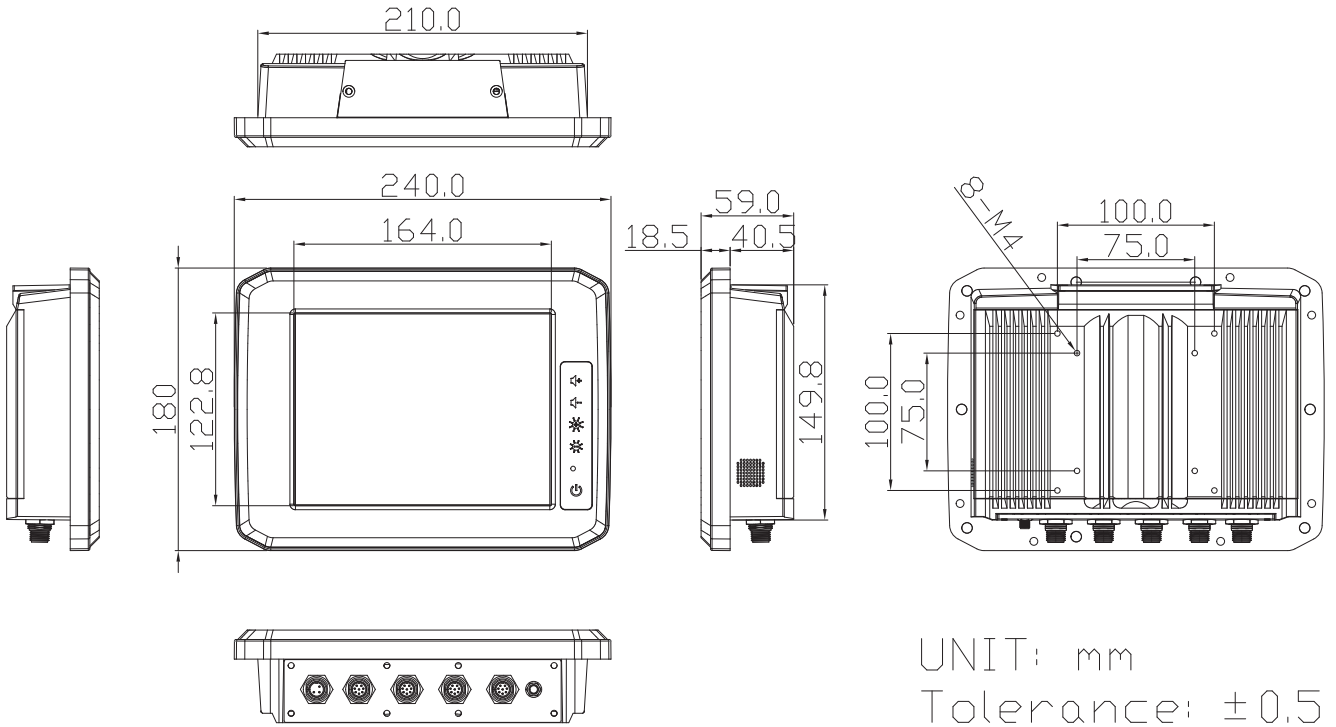
APC-3082

Rugged Industrial Panel PC



Model Name	APC-3082
System	
Processor	Intel Atom Processor E3845 (2M Cache, 1.9 GHz)
System Chipset	SoC
System Memory	Onboard 4GB DDR3L memory
External I/O	
USB	1 x M12 8pin for 2 x USB2.0 with waterproof cover
Serial/Parallel	1 x M12 8pin for RS-232/422/485 (Default RS-232) with waterproof cover 1 x M12 8pin for RS-232 with waterproof cover
LAN	1 x M12 8pin for GbE LAN with waterproof cover
OSD Keypad Control	Brightness up/down Audio Volume up/down System Power on/off
Power connector	1 x M12 3pin for DC power connector with waterproof cover
Storage Space	
HDD	None
Movable device	1 x Micro SD on board 1 x mSATA MO-300 slot
Expansion	
Onboard expansion bus	1 x Mini PCIe half size slot on board for WiFi/Blueooth optional 1 x Mini PCIe Full size slot on board for GPS/GPRS/3G optional 1 x SIM slot on board
Expansion Slot	None
Display	
Display type	8" TFT-LCD
Max. resolution	800 x 600
Max. color	16.2M
Luminance(cd/m ²)	600nits Optional 1000nits
View angle(H°/V°)	140/125
Contrast	500:1
Backlight lifetime(hrs)	30000
Touch Screen	
Type	Resistive (optional Projected Capacitive Touch, without OSD keypad funtion)
Interface	USB
Light transmission(%)	80%
Power	
Power input	6~36V DC (ACC Ignition function and Delay ON/OFF setting option)
Power Consumption	Max:11W
Mechanical	
Construction	Rugged Plastic Housing with aluminum heatsik
IP rating	Total IP66
Mounting	Panel Mount, VESA 75 x 75, VESA 100 x100, Yoke mount(option)
Dimension(mm)	240 x 180 x 59
Net weight(Kg)	2
Environment	
Operating temperature(°C)	0~50 -20~60 (with Industrial storage for option)
Storage temperature(°C)	-30~70
Humidity	10 to 95% @ 40°C, non- condensing
Certification	CE / FCC Class A (Compliant with MIL810G)
Operating System Support	
Windows Embedded 7 Windows Embedded 8.1 Windows 10 IoT ENT LTSB	

APC-3082



unit:mm

Ordering information

Model NO.	Description
APC-3082T	8" SVGA Rugged Total IP65 panel PC , Intel ATOM E3845 Processor, 4GB DDR3L onboard, 8G SLC mSATA, resistive touch, 6~36V DC input with Adapter, Rugged Plastic housing
Optional	High Brightness 1000nits
Optional	WT1 -20~60 Operating Temperature
Optional	Vehicle Adjustable Mounting Kit



APC-3072

Rugged Industrial Panel PC

Vehicle Management Panel PC

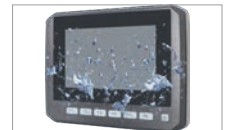
- Intel® Atom™ Processor E3845
- Onboard 4GB DDR3L Memory
- IP66 I/O Connectors
- Expansion Slot of 2 Mini-PCIe with WiFi/GPS/LTE/BT
- SIM slot supported

Fanless	IP66	-20~60°C
Wide 6~36V DC Power	Touch Screen	Wide Temp Option
OSD	High Brightness	Flat Bezel

6~36V DC Wide-ranging Power Input



Total 6 sides IP66



Front Function keyboard (Programmable F1~F6) with Power Button



Projected Capacitive Touch



Aluminum Front Bezel and Fanless Design

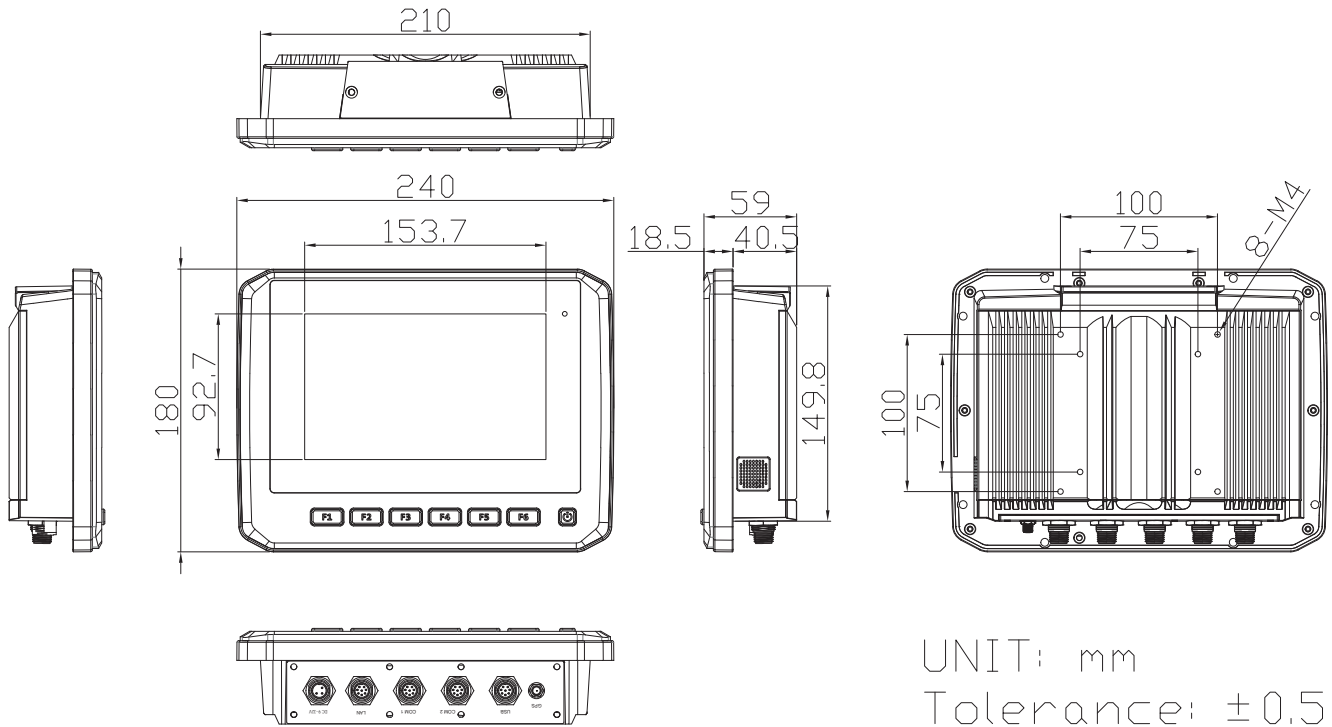




Specifications

Model Name	APC-3072
System	
Processor	Intel Atom Processor E3845 (2M Cache, 1.9 GHz)
System Chipset	SoC
System Memory	Onboard 4GB DDR3L memory
External I/O	
USB	1 x M12 8pin for 2 x USB2.0 with waterproof cover
Serial/Parallel	1 x M12 8pin for RS-232/422/485 (Default RS-232) with waterproof cover 1 x M12 8pin for RS-232
LAN	1 x M12 8pin for GbE LAN with waterproof cover
Function Keypad	7 keys (F1~F6 with Power Button) Default General Keyboard F1~F6 key, Programmable other define
Power connector	1 x M12 3pin for DC 6~36V power connector with waterproof cover
Storage Space	
HDD	None
Movable device	1 x Micro SD on board 1 x mSATA MO-300 slot
Expansion	
Onboard expansion bus	None
Expansion slot	1 x Mini-PCIe full size for option 3G/LTE/GPS 1 x Mini-PCIe half size slot for option WIFI/BT 1 x SIM slot on board
Display	
Display type	7" TFT-LCD
Max. resolution	800 x 480
Max. color	262K
Luminance(cd/m ²)	600nits Optional 1000nits
View angle(H°/V°)	140/130
Contrast	400:1
Backlight lifetime(hrs)	50000
Touch Screen	
Type	Projected Capacitive Touch Optional Resistive Touch
Interface	USB
Light transmission(%)	Projected Capacitive: 90% Resistive: 80%
Power	
Power input	6~36V DC
Power Consumption	Max:13W
Optional Power	6~36V DC + Ignition / VCC Power
Mechanical	
Construction	Aluminum Front Bezel and Engineer Plastics Enclosure. Aluminum Heatsink
IP rating	Total IP66
Mounting	Panel mount, VESA mount 75 x 75, VESA mount 100 x 100, YOKE mount (option)
Dimension(mm)	240 x 180 x 59
Net weight(Kg)	2.1
Environment	
Operating temperature(°C)	0~50 -20~60 (with Industrial Storage)
Storage temperature(°C)	-30~80
Humidity	10 to 95% @ 40°C, non- condensing
Certification	CE / FCC Class A. (Compliant with MIL810G)
Operating System Support	
Windows Embedded 7 Windows Embedded 8.1 Windows 10 IoT ENT LTSC	

APC-3072



UNIT: mm
Tolerance: ±0.5

unit:mm

Ordering information

Model NO.	Description
APC-3072	7" WVGA Rugged Total IP66 panel PC , Intel ATOM E3845 Processor, 4GB DDR3L on board, 8G SLC mSATA, PCT, 6~36V DC input with Adapter, Aluminum Front Bezel and Rugged Plastic housing



OPC-5XX8 Series

Open Frame Panel PC

Intel® Celeron™ N2930 Processor

- Intel Celeron N2930 Processor
- Easily achieve flat front bezel design
- Adjustable front bezel design
- Front bezel IP65
- Wide range DC 9~36V power input



Intel Celeron N2930 Processor



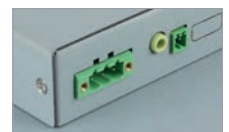
Easily achieve flat front bezel design



Adjustable front bezel design



Wide range DC 9~36V power input



5-wire resistive touch window/ Projected capacitor touchscreen support 7H optional



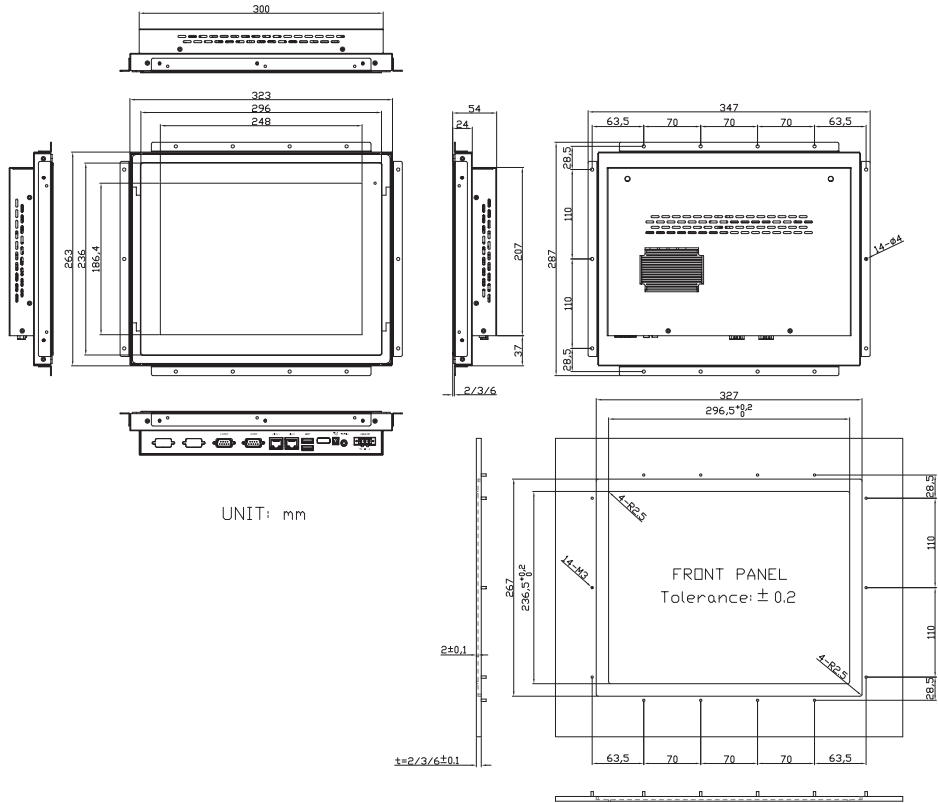
OPC-5XX8 Series

Open Frame Panel PC



Model Name	OPC-5128(P)		OPC-5158(P)	OPC-5168(P)
System				
Processor	Celeron N2930 Processor(2M Cache,1.83GHz)			
System Chipset	SoC			
System Memory	Onboard 4GB DDR3L SDRAM ,8GB(option)			
External I/O				
USB	2 x USB 3.0 type A			
Serial/Parallel	1 x RS-232/422/485 DB9(COM1) , default RS-232 1 x RS-232 DB9(COM2)			
LAN	2 x GbE LAN RJ-45			
Graph	None			
Audio	1 x Line-out			
Power connector	1 x 3-pin terminal block connector 1 x 2-pin Power Switch connector			
Storage Space				
HDD	1 x 2.5" SATA2 HDD space			
Movable device	1 x SD slot			
Expansion				
Onboard expansion bus	1 x mini-PCIe slot(full size)			
Expansion Slot	None			
Display				
Display type	12.1" TFT-LCD		15" TFT-LCD	15.6" TFT-LCD
Max. resolution	800 x 600	1024 x 768	1024 x 768	1366 x 768
Max. color	16.2M	16.2M	262K	16.7M
Luminance(cd/m ²)	450	500	420	300
View angle(H°/V°)	160/140	160/140	160/160	160/160
Backlight lifetime(hrs)	50000	30000	30000	50000
Touch Screen				
Type	Resistive Touch Projected Capacitive(For P model)			
Interface	USB			
Light transmission(%)	Resistive: 80% Projected Capacitive :90%			
Power				
Power input	DC 9~36V			
Power Consumption (TYP.)	OPC-5128P:18.7W		OPC-5158P:20.2W	OPC-5168P:21.5W
Mechanical				
Construction	Open frame steel			
IP rating	IP 65 compliant front bezel			
Mounting	Open frame panel mount			
Dimension(mm)	323 x 263 x 54		385 x 299.5 x 54.8	423 x 273 x 61.8
Net weight(Kg)	3.7		4.9	5.0
Environment				
Operating temperature(°C)	0 ~ 40(without Fan) 0 ~ 60(with Fan)			
Storage temperature(°C)	-20~60			
Humidity	10 to 95% @ 40°C, non- condensing			
Certification	CE/FCC Class A			
Operating System Support				
Windows 7 WEC 7 Windows 8.1 Windows 10				

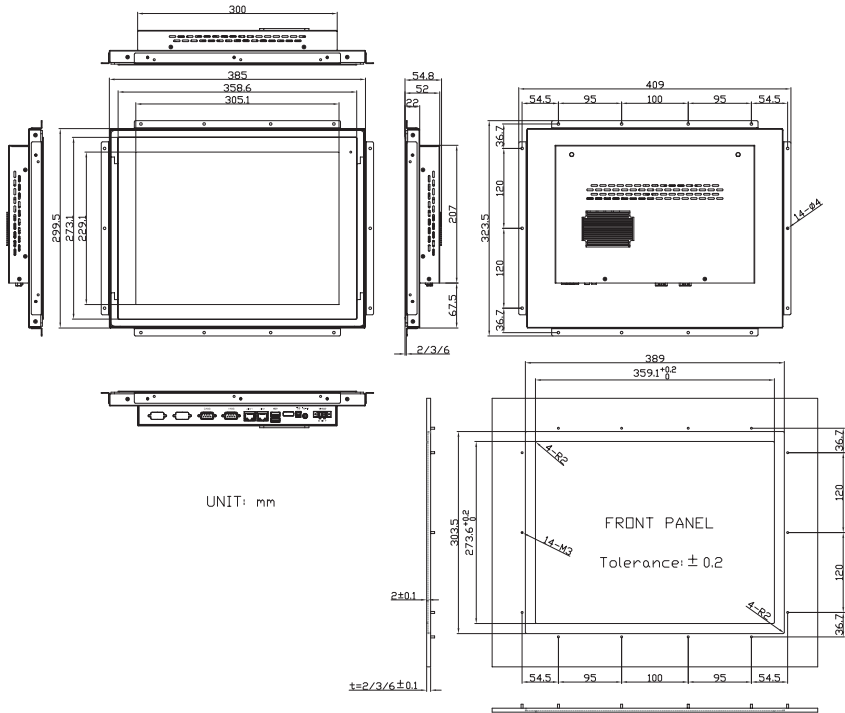
OPC-5128(P)



UNIT: mm

unit:mm

OPC-5158(P)



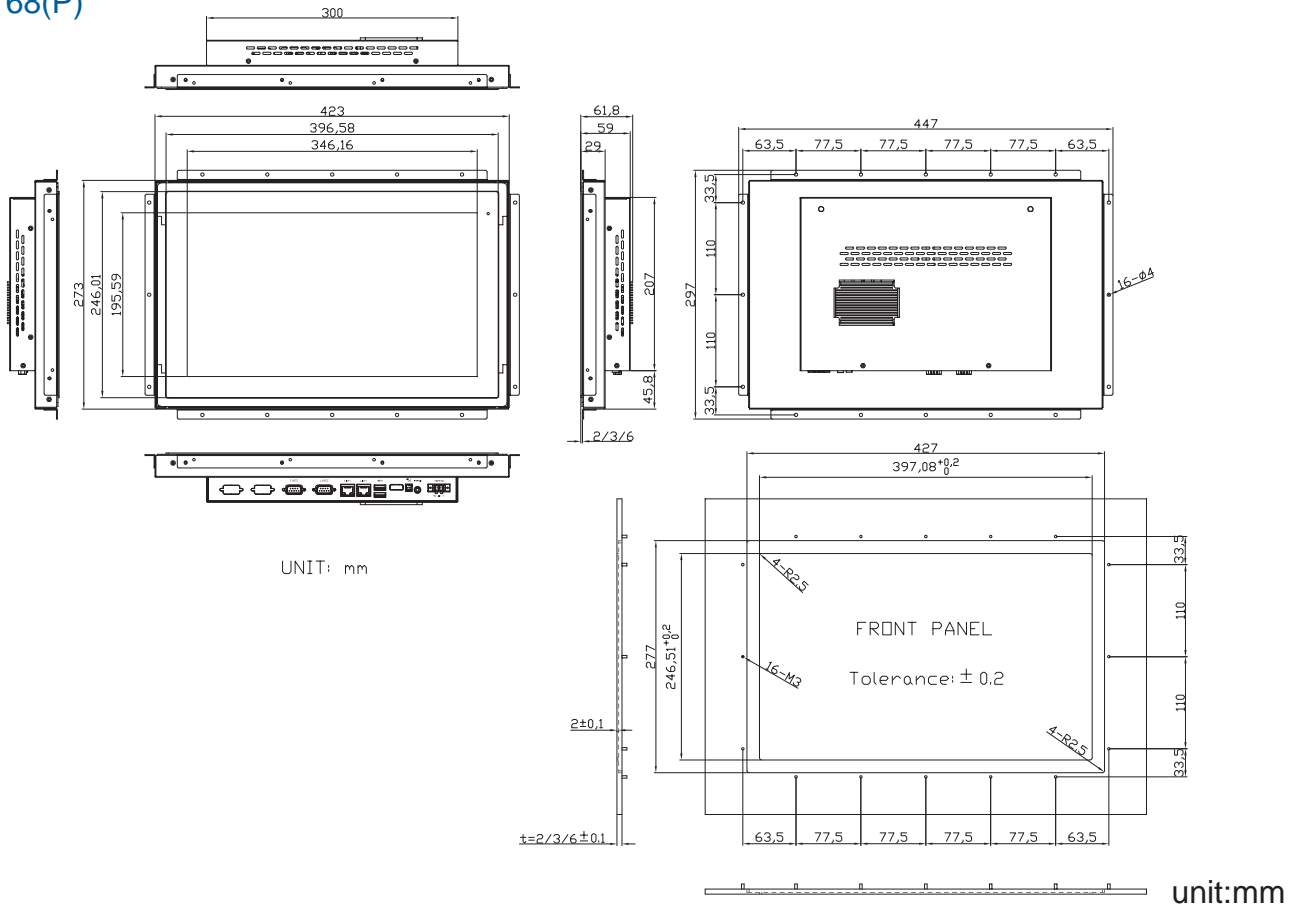
UNIT: mm

unit:mm

OPC-5XX8 Series

Open Frame Panel PC

OPC-5168(P)



Ordering information

Model NO.	Description
OPC-5128	12.1" SVGA fanless open frame PC with Celeron N2930 Processor, 4GB DDR3 RAM, Resistive touch screen, 9~36V DC input with Adapter, steel enclosure
OPC-5128P	12.1" SVGA fanless open frame PC with Celeron N2930 Processor, 4GB DDR3 RAM, Projected Capacitive touch, 9~36V DC input with Adapter, steel enclosure
OPC-5158	15" XGA fanless open frame PC with Celeron N2930 Processor, 4GB DDR3 RAM, Resistive touch screen, 9~36V DC input with Adapter, steel enclosure
OPC-5158P	15" XGA fanless open frame PC with Celeron N2930 Processor, 4GB DDR3 RAM, Projected Capacitive touch, 9~36V DC input with Adapter, steel enclosure
OPC-5168	15.6" WXGA fanless open frame PC with Celeron N2930 Processor, 4GB DDR3 RAM, Resistive touch screen, 9~36V DC input with Adapter, steel enclosure
OPC-5168P	15.6" WXGA fanless open frame PC with Celeron N2930 Processor, 4GB DDR3 RAM, Projected Capacitive touch, 9~36V DC input with Adapter, steel enclosure



HMI

FABS/ARCHMI/ARMPAC/AHM

Product line

APLEX has been dedicated to developing human machine interface which is APLEX flagship product; we have devoted to deliver the world-class performance for wide range of industrial application, to efficiently control various machines, systems and facilities.

APLEX offers both x86-based and ARM-based open architecture products with TFT-LCD panels and the sizes ranging from 5.7" to 21.5". All are equipped with the touch screen including projected capacitive and resistive; the flat bezel design with IP 66 water-and dust-proof rated which is easy to clean, preventing the accumulation of grime. In order to reach the high industrial grade, APLEX HMI products support a wide range of voltage input (DC9~36V) and use the industry standard terminal block connector.

APLEX provides the most comprehensive human-machine interface products and services to all potential customers. Based on different requirements, APLEX offers cost-effective and high-performance selections; construction includes stainless steel, metal chassis, aluminum and plastic enclosure. All are well-suited for integration with all kinds of machinery and equipment.

Model Name	ARCHMI-9XXA(R)(P)(G)(H)	ARCHMI-9XX(P)	ARCHMI-8XXA(R)(P)(G) ARCHMI-8XXA(R)(P)(G)H
CPU	Intel 6 th Core i3/i5	Intel 4 th Core i3/i5	Intel Pentium N4200 / Celeron N3350
Memory	1 x SO-DIMM DDR4 2400MHz, up to 16GB	Onboard DDR3L 4GB/8GB(option)	Onboard DDR3L 4GB /8GB(option)
Motherboard	SBC-7114	SBC-7110	SBC-7118
Touch screen	Resistive Touch Window Projected Capacitive Touch	Resistive Touch Window Projected Capacitive Touch	Resistive Touch Window Projected Capacitive Touch
Front Bezel	Aluminum Die-casting	Aluminum Die-casting	Aluminum Die-casting
Back Cover	Aluminum Die-casting	Aluminum Die-casting	Aluminum Die-casting
Easy Accessible HDD	Yes	Yes	Yes
SD Card Slot	No	No	Yes
Display Size	12.1"/15"/15.6" 17"/18.5"/19"/21.5"	12.1"/15"/15.6"/17" 18.5"/19"/21.5"	7"/8"/10.1"/12.1"/15" 15.6"/17"/18.5"/19"/21.5"

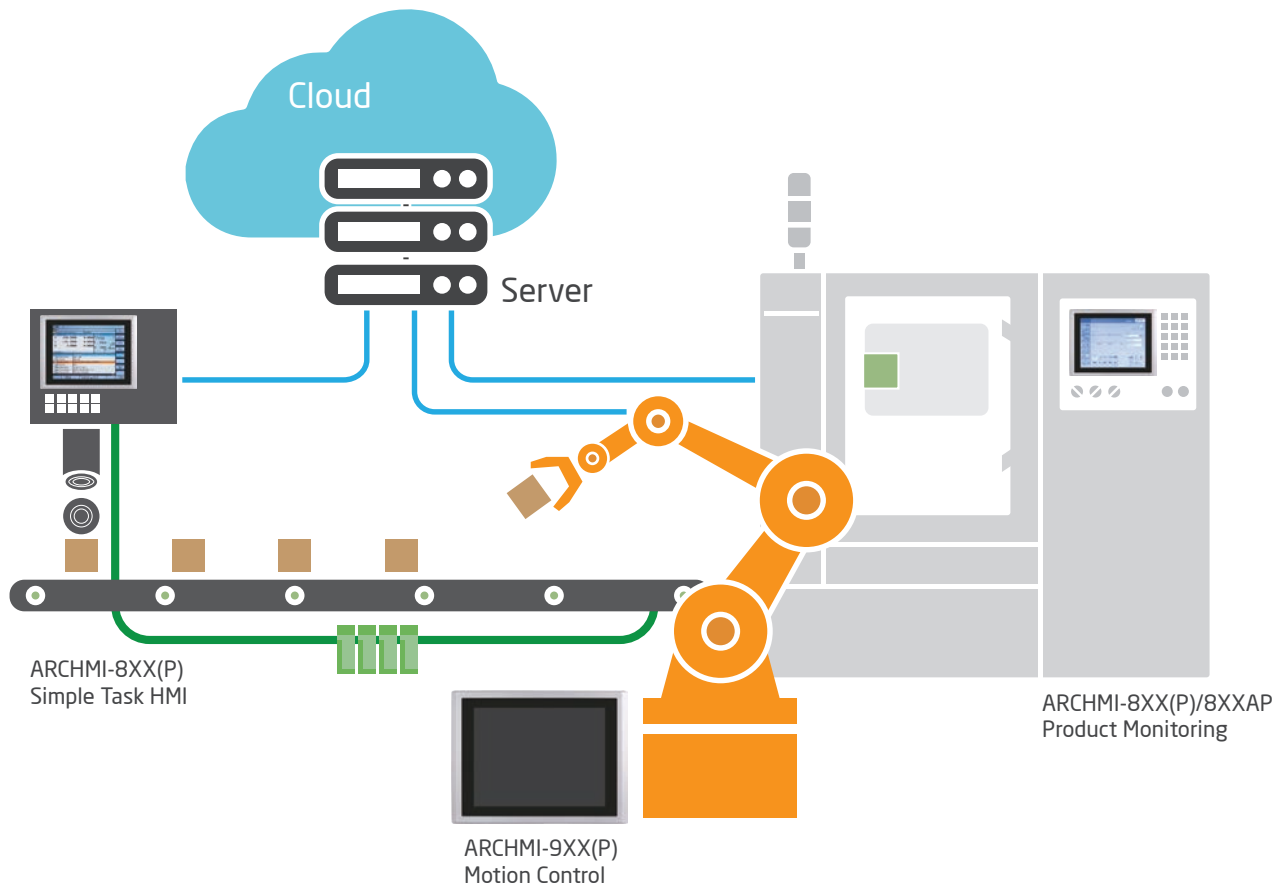
Model Name	ARCHMI-8XX(P) ARCHMI-8XX(P)H	ARMPAC-6XX(P)	ARMPAC-5XX(P)
CPU	Intel Celeron N2930	i.MX6 DualLite ARM Cortex A9	TI-AM3354, ARM® Cortex™ A8 up to 1GHz
Memory	Onboard DDR3L 4GB /8GB(option)	Onboard 1GB DDR3 DRAM	Onboard DDR3 512MB up to 1GB
Motherboard	SBC-7111	SBC-7112	SBC-7109
Touch screen	Resistive Touch Window Projected Capacitive Touch	Resistive Touch Window Projected Capacitive Touch	Resistive Touch Window Projected Capacitive Touch
Front Bezel	Aluminum Die-casting	7"~12.1": Plastic 15"~21.5": Aluminum Die-casting	Plastic
Back Cover	Aluminum Die-casting	7"~12.1": Plastic 15"~21.5": Aluminum Die-casting	Plastic
Easy Accessible HDD	Yes	No	No
SD Card Slot	Yes	Micro SD Slot	Micro SD Slot
Display Size	7"/8"/10.1"/12.1"/15" 15.6"/17"/18.5"/19"/21.5"	7"/8"/10.1"/12.1"/15"/15.6"/21.5"	5.6"/7"/8"/10.1"/12.1"

Model Name	FABS-9XXA(R)(P)(G) FABS-9XXA(R)(P)(G)H	FABS-8XX(P)(G) FABS-8XX(P)(G)H
CPU	Intel 6 th Core i3/i5	Intel Celeron N2930
Memory	1 x SO-DIMM DDR4 2400MHz, up to 16GB	Onboard DDR3L 4GB /8GB(option)
Motherboard	SBC-7114	SBC-7111
Touch screen	Resistive Touch Window Projected Capacitive Touch	Resistive Touch Window Projected Capacitive Touch
Front Bezel	Stainless steel	Stainless steel
Back Cover	Aluminum Die-casting	Aluminum Die-casting
Easy Accessible HDD	Yes	Yes
SD Card Slot	No	Yes
Display Size	12.1"/15" 17"/19"/21.5"	7"/10.1"/12.1"/15" /17"/19"/21.5"

ARCHMI Series

Rugged Control HMI

Its fanless design offers 24/7 reliability, from low power Intel® Atom to the latest Core i3/i5 (Skylake) CPU. The projected capacitive touch screen with pure flat, multi-touch support, anti-scratching, Wi-Fi, Dual LAN, Serial and USB functionality.



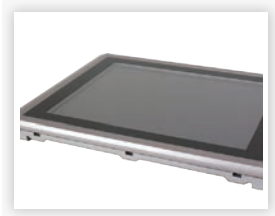
Product Selection

The Entry Level HMI	Compact Size Low Power	High Performance Expandable
<p>▶ ARCHMI-8XX(P)(H)</p> <p>Intel® Celeron® N2930</p> <ul style="list-style-type: none"> • Factory Automation • H2M / HMI • Remote Data Collection • Monitor AOI Status 	<p>▶ ARCHMI-8XXA(P)(H)</p> <p>Intel® Pentium® N4200 Intel® Celeron® N3350</p> <ul style="list-style-type: none"> • Advanced Industrial Monitor Controller • Intelligent Automation Controller • Simple Task / Data Processing • H2M/HMI 	<p>▶ ARCHMI-9XX(P) / 9XXA(P)</p> <p>4th Gen. Intel® Core™ i3/i5/i7 (9XX(P)) 6th/7th Gen. Intel® Core™ i3/i5/i7 (9XXA(P))</p> <ul style="list-style-type: none"> • Multi-Tasking Capable • Ready for FHD • SCADA / HMI • IIoT Monitor Control

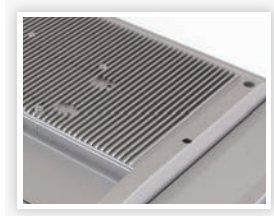
ARCHMI Series

► Specs & Details

- Available from 7" to 32"
- CPU: Built-in Celeron® N2930, Pentium® N4200, Celeron® N3350, 4th Gen. Core™ i3/i5/i7 and 6th/7th Gen. Core™ i3/i5/i7 Available
- RAM: Onboard 4GB DDR3(up to 8 GB) / DDR4(up to 16 GB) RAM
- Touch: Resistive & Capacitive Touch Optional
- High Brightness and Wide Temperature Optional
- Front IP66 Certified
- Flat Bezel Design
- Supports Smart Battery Backup
- Optional Expansion I/O Board : TB-528 Series



Flat Front Panel Design with IP66 Standard



Aluminum Die-Casting Chassis Fanless Design



Easily Accessible Storage Design



Wide Range DC 9~36V Power Input

► Sunlight Readable HMI

ARCHMI-8 and 8A Series & ARCHMI-9 and 9A Series: Ideal for High Ambient Light Applications

Auto Dimming



Auto Dimming for Option Automatically Adjust LCD Brightness

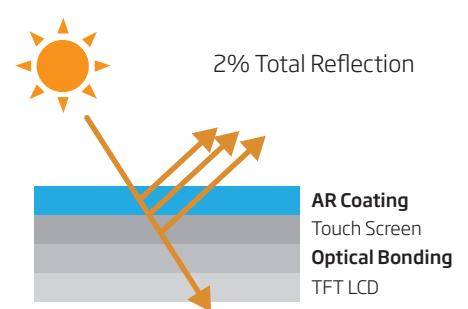
High Brightness



Normal

1,000 nits High Brightness

Optical Bonding & AR Coating

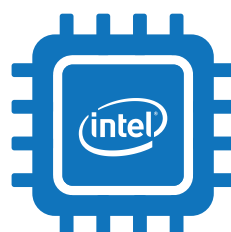


LCD Optical Bonding and Anti-Reflection Coating for Option

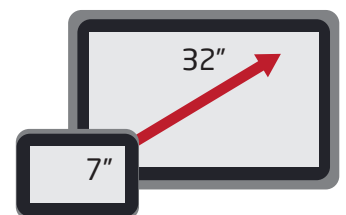
* Optical bonding is also recommended in large temp. difference environment



16:9 Wide screen & Multi-touch Projective / Resistive Touch Optional



From Intel® Atom™ to 6th/7th Gen. Core™ i CPU



Available LCD Sizes from 7" ~ 32"

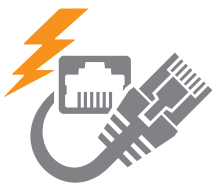
Optional Power over Ethernet Module

▶ Single Cable for Data and Power Transmission

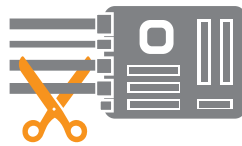


- With PoE technology, it allows the unit to transmit power and data directly through Ethernet cable. This technology simplifies the installation process and provides centralized power management as a maintenance-free solution.

▶ The Benefit of PoE



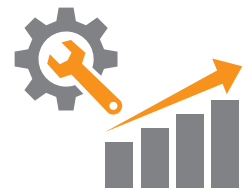
• Useful for Powering Remote Devices



• Reduce Cable Wiring



• Time and Cost Savings

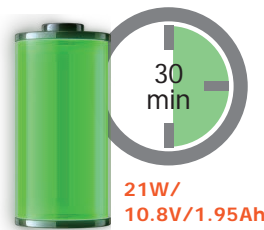


• Easy to Maintain and Upgrade

ARCHMI Series with Smart Battery

▶ Work as UPS to Save Your Data

An optional smart battery is available to APLEX's ARCHMI-8XX(P)(H), 8XXA(P)(H), 9XX(P) series, which provides up to 30 minutes of emergency backup power source for unexpected power interruption.



▶ With Smart Battery Protection

▶ Without Smart Battery Protection

***Note:** The backup time would varies on different models or operating temperature

Selection Guide

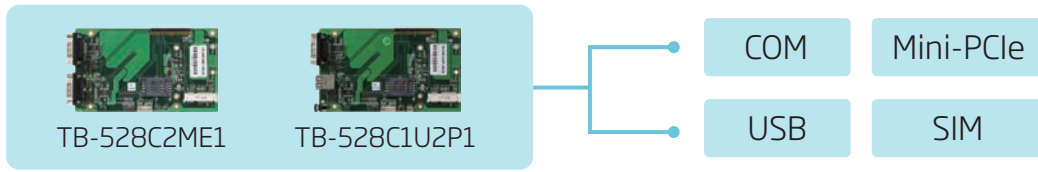
Model	ARCHMI-912(P)	ARCHMI-915(P)	ARCHMI-916(P)	ARCHMI-917(P)	ARCHMI-918(P)	ARCHMI-919(P)	ARCHMI-921(P)
Display	12.1" TFT-LCD	15" TFT-LCD	15.6" TFT-LCD	17" TFT-LCD	18.5" TFT-LCD	19" TFT-LCD	21.5" TFT-LCD
Battery	●	●	●	●	●	●	●

Model	ARCHMI-810(P)H	ARCHMI-812(P)H	ARCHMI-815(P)H	ARCHMI-816(P)H	ARCHMI-817(P)H	ARCHMI-818(P)H	ARCHMI-819(P)H	ARCHMI-821(P)H
	ARCHMI-810A(P)H	ARCHMI-812A(P)H	ARCHMI-815A(P)H	ARCHMI-816A(P)H	ARCHMI-817A(P)H	ARCHMI-818A(P)H	ARCHMI-819A(P)H	ARCHMI-821A(P)H
Display	10.1" TFT-LCD	12.1" TFT-LCD	15" TFT-LCD	15.6" TFT-LCD	17" TFT-LCD	18.5" TFT-LCD	19" TFT-LCD	21.5" TFT-LCD
Battery	●	●	●	●	●	●	●	●
PoE	●	●	●	●				

***Note:** The Smart Battery and PoE function can't use simultaneously

Optional Expansion I/O Boards : TB-528 Series

▶ Mini-PCIe Module



▶ CAN bus Module

TB-528CAN2

- Monitoring
- Vehicle Sensor

▶ PoE Module

TB-528E1U2POE

- Single Cable for Data and Power Transmission

▶ USB Module

TB-528U4 **TB-528E1U2**

- Credit Card Reader
- USB Camera
- USB Fingerprint Scanner
- Barcode Scanner
- Receipt Print

▶ Isolation Module

TB-528C2I

- Patient Ward
- Long Term Care Facility
- Telemedicine
- Nursing Station

Selection Guide

Model	TB-528U4	TB-528U4 ME1	TB-528C1 U2	TB-528C1 U2P1	TB-528C2	TB-528C2 ME1	TB-528C2I	TB-528CAN2	TB-528E1 U2	TB-528NE1 U2POE	TB-528E1 U2POE	TB-528E1 U2UPOE
ARCHMI-8XX(P)H	●	●	●	●	●	●	●	●	●	ARCHMI-810/812/815/816(P)H		
ARCHMI-8XXARPG(H)	●	●	●	●	●	●	●	●	●	ARCHMI-810/812/815/816ARPG(H)		
ARCHMI-9XX(P)H	●	●	●	●	●	●	●	●	●	ARCHMI-912/915/916(P)H		
ARCHMI-9XXARPG(H)	●	●	●	●	●	●	●	●	●	ARCHMI-912/915/916ARPG(H)		

* ARCHMI 810/812(P)H, 810ARPG(H)/812ARPG(H) 912(P)H, and 912APRG(H) are allowed to build in either TB-528 transfer board or UPS battery.

* The above listed product does not contain: ARCHMI-807/808(P)H, 807/808ARPG(H)



ARCHMI-9XXA Series

Performance Grade HMI

Intel Skylake Platform Fanless HMI

- 6th Generation Intel® Core™ i5-6300U/i3-6100U
- 1 x SO-DIMM DDR4 up to 16GB
- Flat Front Panel Design Meets IP66
- Easily Accessible Storage Design
- Fanless Design
- Aluminum Die-Casting Chassis



6th Generation Intel®
Core™ i5-6300U/i3-
6100U



1 x SO-DIMM DDR4 up
to 16GB



Flat Front Panel Design
Meets IP66 Standard



Aluminum Die-Casting
Chassis and Fanless
Design



Easily Accessible
Storage Design

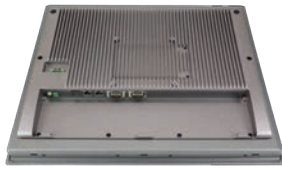


ARCHMI-9XXA Series

Performance Grade HMI



Model Name	ARCHMI-912A(R)(P)(G) ARCHMI-912A(R)(P)(G)H				ARCHMI-915A(R)(P)(G) ARCHMI-915A(R)(P)(G)H		ARCHMI-916A(R)(P)(G) ARCHMI-916A(R)(P)(G)H					
System												
Processor	Onboard 6th Gen Intel Core i3-6100U Processor(3M Cache,2.30 GHz) / Intel Core i5-6300U Processor(3M Cache,2.30 GHz)											
System Chipset	SoC											
System Memory	1 x 260-pin SO-DIMM up to 16GB DDR4 2133MHz											
External I/O												
USB	2 x USB 3.0 type A											
Serial/Parallel	1 x RS-232/422/485 DB9(COM1) , default RS-232 1 x RS-232 DB9(COM2)											
LAN	2 x GbE RJ-45											
Audio	1 x Line-out											
Power connector	1 x 3-pin terminal block connector 1 x 2-pin Power Switch connector											
Storage Space												
HDD	1 x 2.5" SATA3 HDD space											
Movable device	None											
Expansion												
Onboard expansion bus	1 x mini-PCIe slot(full size)											
Display												
	ARCHMI-912A(R)(P)(G)		ARCHMI-912A(R)(P)(G)H		ARCHMI-915A(R)(P)(G)		ARCHMI-915A(R)(P)(G)H		ARCHMI-916A(R)(P)(G)		ARCHMI-916A(R)(P)(G)H	
Display type	12.1" TFT-LCD				15" TFT-LCD				15.6" TFT-LCD			
Max. resolution	800 x 600	1024 x 768	800 x 600	1024 x 768	1024 x 768				1366 x 768			
Max. color	262K	16.2M	16.2M	262K	16.2M	16.7M	16.7M	16.7M	16.7M	16.7M	16.7M	16.7M
Luminance(cd/m ²)	450	500	1000	1000	300	1000	1000	300	1000	1000	1000	1000
View angle(H°/V°)	160/150	160/140	178/178	160/140	176/176	160/150	160/150	160/160	160/160	160/160	160/160	160/160
Backlight lifetime(hrs)	50000	30000	50000	50000	70000	50000	50000	50000	50000	50000	50000	50000
Touch Screen												
Type	Resistive Touch(For AR model) Projected Capacitive(For AP model) Glass(For AG model)											
Interface	USB											
Light transmission(%)	Resistive Touch : 80% Projected Capacitive : 90%											
Power												
Power input	DC 9~36V											
Power Consumption (TYP.)	ARCHMI-912AP:44W				ARCHMI-915AP:43W				ARCHMI-916AP:52W			
Mechanical												
Construction	Aluminum die-casting Chassis											
IP rating	IP66 Compliant Front Bezel											
Mounting	Panel Mount , VESA 100x100											
Dimension(mm)	319 x 245 x 51.7				410 x 310 x 54.7				412 x 277.5 x 58.9			
Net weight(Kg)	2.6				4.4				4.5			
Environment												
Operating temperature(°C)	0~50/-20~60 for option								0~50			
Storage temperature(°C)	-30~70											
Humidity	10 to 95% @ 40°C, non- condensing											
Certification	CE/FCC Class A											
Operating System Support												
Windows Embedded 7 Windows Embedded 8.1 Windows 10 IoT ENT LTSC												



Model Name	ARCHMI-917A(R)(P)(G) ARCHMI-917A(R)(P)(G)H		ARCHMI-918A(R)(P)(G) ARCHMI-918A(R)(P)(G)H		ARCHMI-919A(R)(P)(G) ARCHMI-919A(R)(P)(G)H	
System						
Processor	Onboard 6th Gen Intel Core i3-6100U Processor(3M Cache,2.30 GHz) / Intel Core i5-6300U Processor(3M Cache,2.30 GHz)					
System Chipset	SoC					
System Memory	1 x 260-pin SO-DIMM up to 16GB DDR4 2133MHz					
External I/O						
USB	2 x USB 3.0 type A					
Serial/Parallel	1 x RS-232/422/485 DB9(COM1) , default RS-232 1 x RS-232 DB9(COM2)					
LAN	2 x GbE RJ-45					
Audio	1 x Line-out					
Power connector	1 x 3-pin terminal block connector 1 x 2-pin Power Switch connector					
Storage Space						
HDD	1 x 2.5" SATA3 HDD space					
Movable device	None					
Expansion						
Onboard expansion bus	1 x mini-PCIe slot(full size)					
Display	ARCHMI-917A(R)(P)(G)	ARCHMI-917A(R)(P)(G)H	ARCHMI-918A(R)(P)(G)	ARCHMI-918A(R)(P)(G)H	ARCHMI-919A(R)(P)	ARCHMI-919A(R)(P)(G)H
Display type	17" TFT-LCD		18.5" TFT-LCD		19" TFT-LCD	
Max. resolution	1280 x 1024		1366 x 768		1280 x 1024	
Max. color	16.2M	16.7M	16.7M	16.7M	16.7M	16.7M
Luminance(cd/m ²)	350	1000	300	1000	350	1000
View angle(H°/V°)	170/160	170/160	160/170	160/170	170/160	170/160
Backlight lifetime(hrs)	30000	50000	50000	50000	50000	50000
Touch Screen						
Type	Resistive Touch(For AR model) Projected Capacitive(For AP model) Glass(For AG model)					
Interface	USB					
Light transmission(%)	Resistive Touch : 80% Projected Capacitive : 90%					
Power						
Power input	DC 9~36V					
Power Consumption	ARCHMI-917AP:50W		ARCHMI-918AP:60W		ARCHMI-921AP:60W	
Mechanical						
Construction	Aluminum die-casting Chassis					
IP rating	IP66 Compliant Front Bezel					
Mounting	Panel Mount , VESA 100x100					
Dimension(mm)	439 x 348 x 64.8		499.6 x 314.6 x 65.4		468 x 380 x 64.8	
Net weight(Kg)	6.25		6.0		7.3	
Environment						
Operating temperature(°C)	0~50					
Storage temperature(°C)	-30~70					
Humidity	10 to 95% @ 40°C, non- condensing					
Certification	CE/FCC Class A					
Operating System Support						
Windows Embedded 7 Windows Embedded 8.1 Windows 10 IoT ENT LTSP						

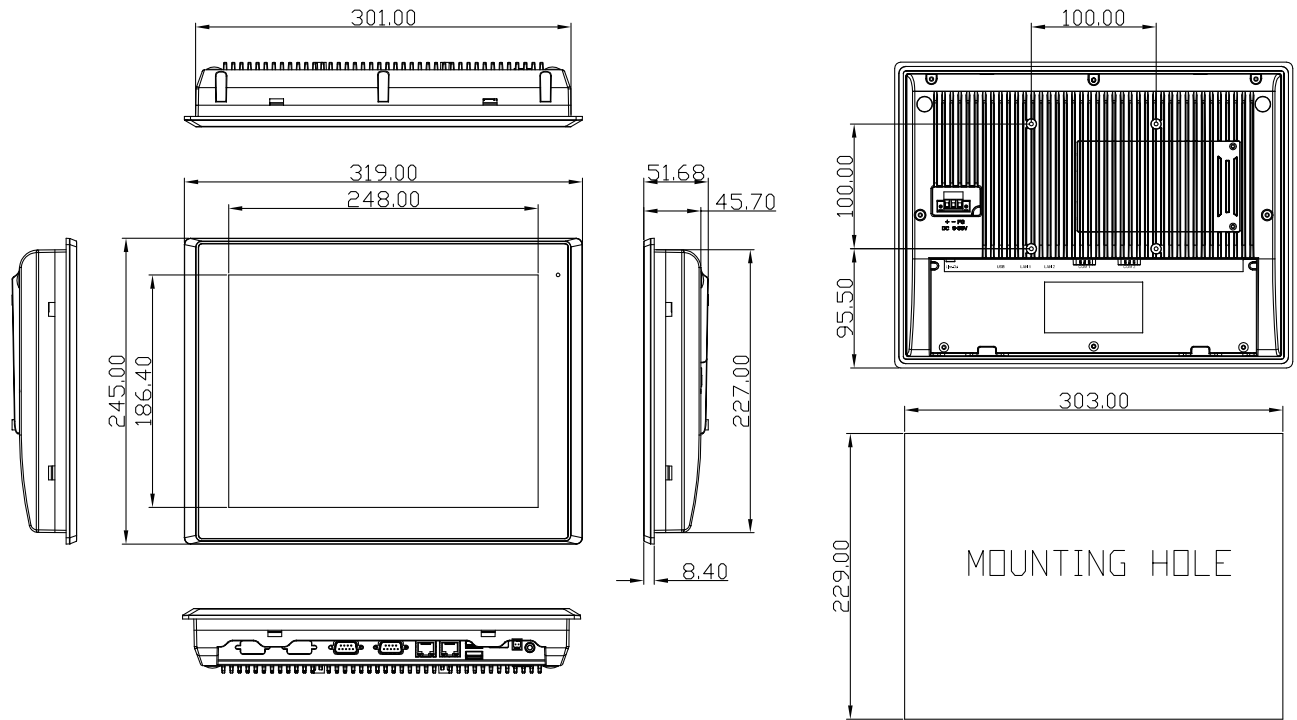
ARCHMI-9XXA Series

Performance Grade HMI



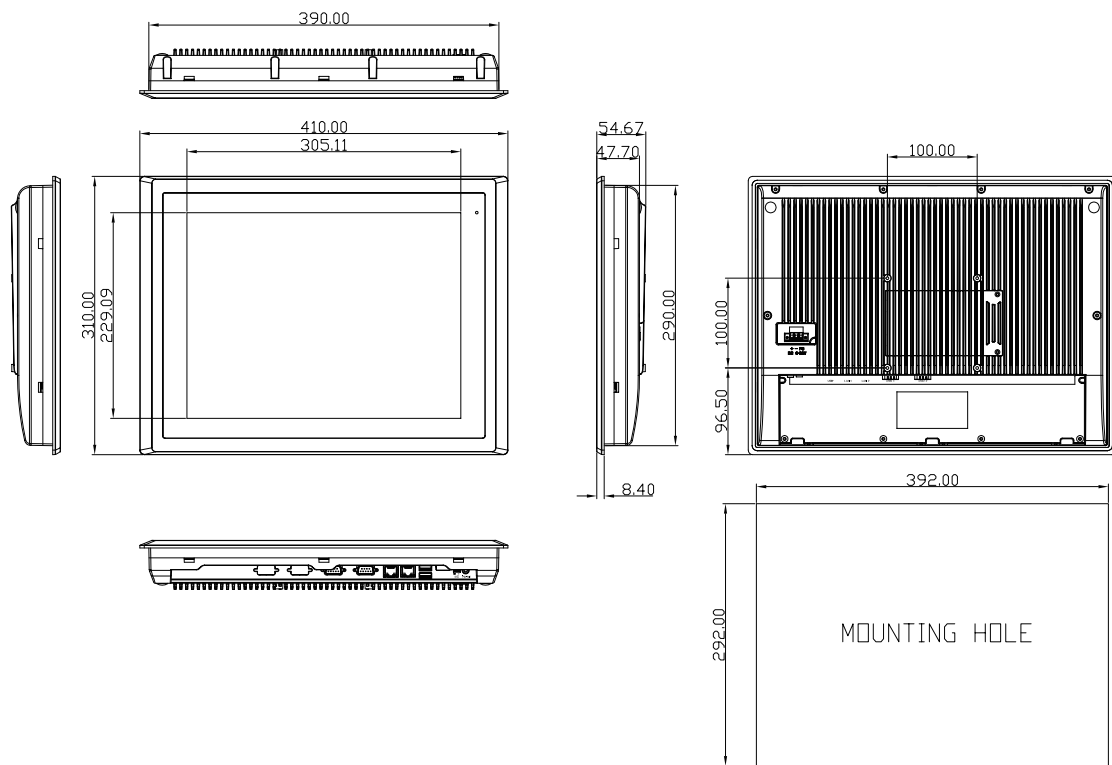
Model Name	ARCHMI-921A(R)(P)(G) ARCHMI-921A(R)(P)(G)H		ARCHMI-932AP
System			
Processor	Onboard 6th Gen Intel Core i3-6100U Processor(3M Cache,2.30 GHz) / Intel Core i5-6300U Processor(3M Cache,2.30 GHz)		
System Chipset	SoC		
System Memory	1 x 260-pin SO-DIMM up to 16GB DDR4 2133MHz		
External I/O			
USB	2 x USB 3.0 type A		
Serial/Parallel	1 x RS-232/422/485 DB9(COM1) , default RS-232 1 x RS-232 DB9(COM2)		
LAN	2 x GbE RJ-45		
Audio	1 x Line-out		
Power connector	1 x 3-pin terminal block connector 1 x 2-pin Power Switch connector	1 x AC Power Input 1 x 2-pin Power Switch connector	
Storage Space			
HDD	1 x 2.5" SATA3 HDD space		
Movable device	None		
Expansion			
Onboard expansion bus	1 x mini-PCIe slot(full size)		
Display			
	ARCHMI-921A(R)(P)(G)	ARCHMI-921A(R)(P)(G)H	ARCHMI-932AP
Display type	21.5" TFT-LCD		32" TFT-LCD
Max. resolution	1920 x 1080		1920 x 1080
Max. color	16.7M	16.7M	16.7M
Luminance(cd/m ²)	250	1000	500
View angle(H°/V°)	178/178	178/178	178/178
Backlight lifetime(hrs)	50000	50000	50000
Touch Screen			
Type	Resistive Touch(For AR model) Projected Capacitive(For AP model) Glass(For AG model)		Projected Capacitive
Interface	USB		
Light transmission(%)	Resistive touch window : 80% Projected Capacitive Touch : 90%		90%
Power			
Power input	DC 9~36V		
Power Consumption (TYP.)	ARCHMI-921AP:53W		ARCHMI-932AP:80W
Mechanical			
Construction	Aluminum Die-casting Front Bezel and Chassis		
IP rating	Aluminum die-casting Chassis		
Mounting	Panel Mount , VESA 100x100		Panel Mount , VESA 200x200
Dimension(mm)	557 x 362 x 64.8		810 x 490 x 65
Net weight(Kg)	7.5		17.4
Environment			
Operating temperature(°C)	0 ~ 50 (0~40 only for ARCHMI-921AP/RH and ARCHMI-921AH- 21.5" high brightness model)		
Storage temperature(°C)	-30~70		
Humidity	10 to 95% @ 40°C, non- condensing		
Certification	CE/FCC Class A		
Operating System Support			
Windows Embedded 7 Windows Embedded 8.1 Windows 10 IoT ENT LTSB			

ARCHMI-912AR/P/G/H



unit:mm

ARCHMI-915AR/P/G/H

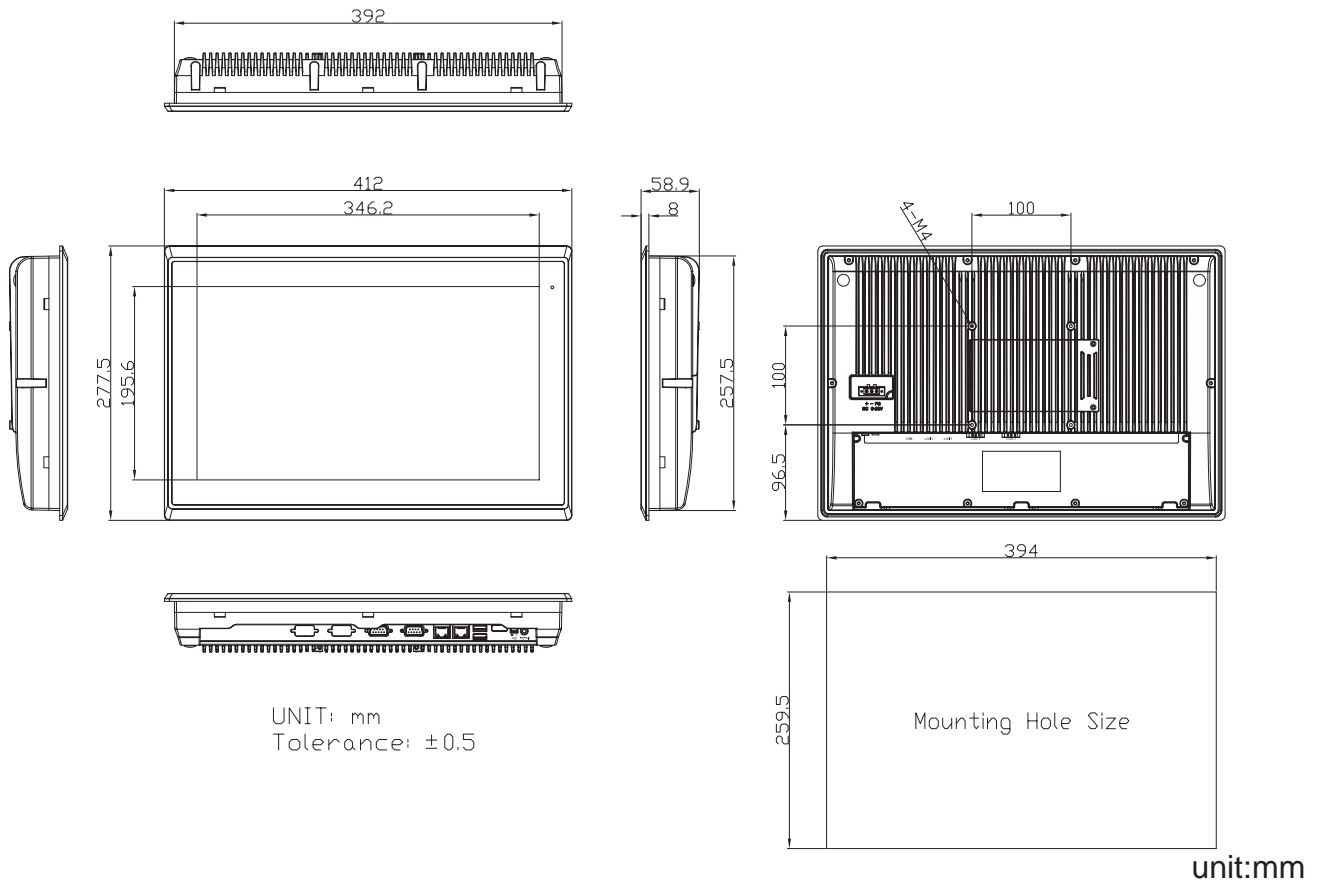


unit:mm

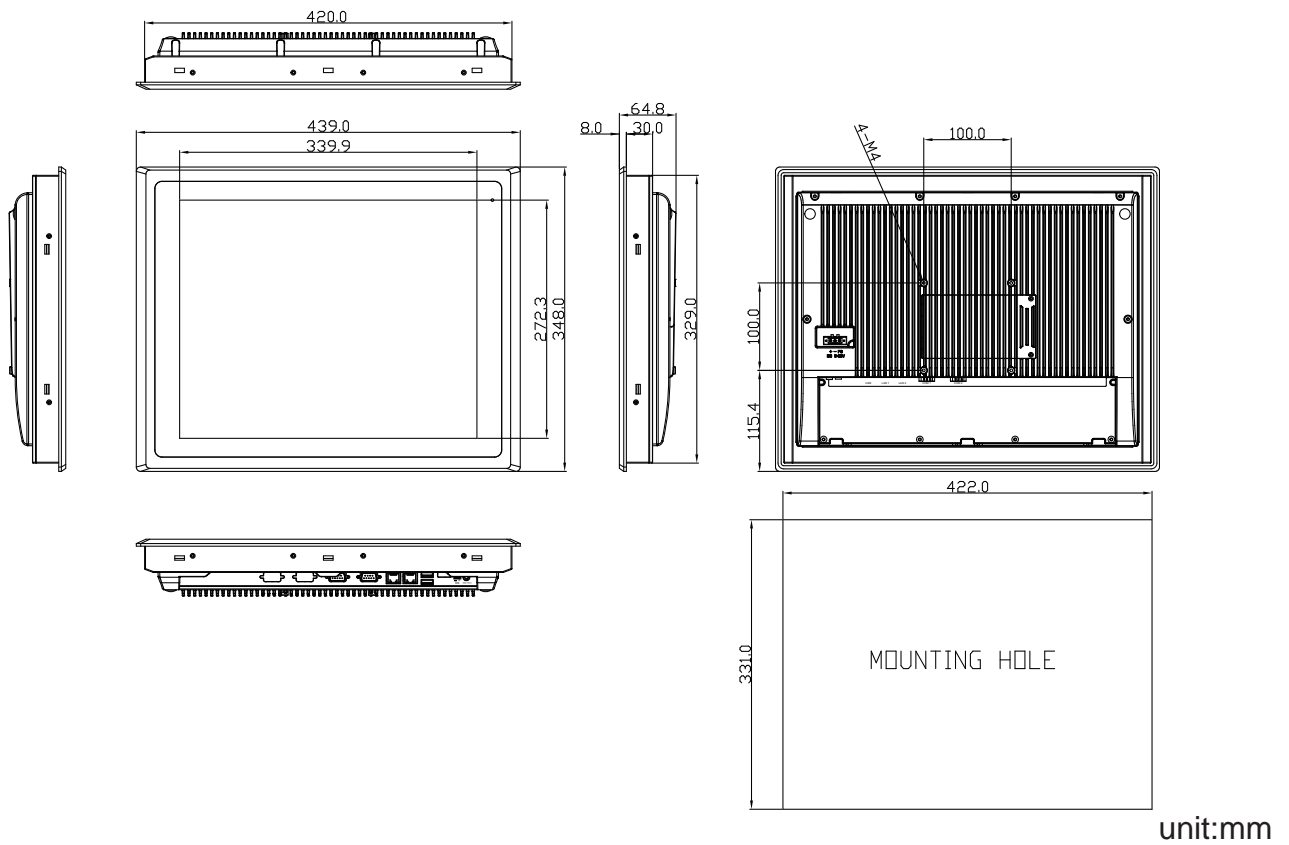
ARCHMI-9XXA Series

Performance Grade HMI

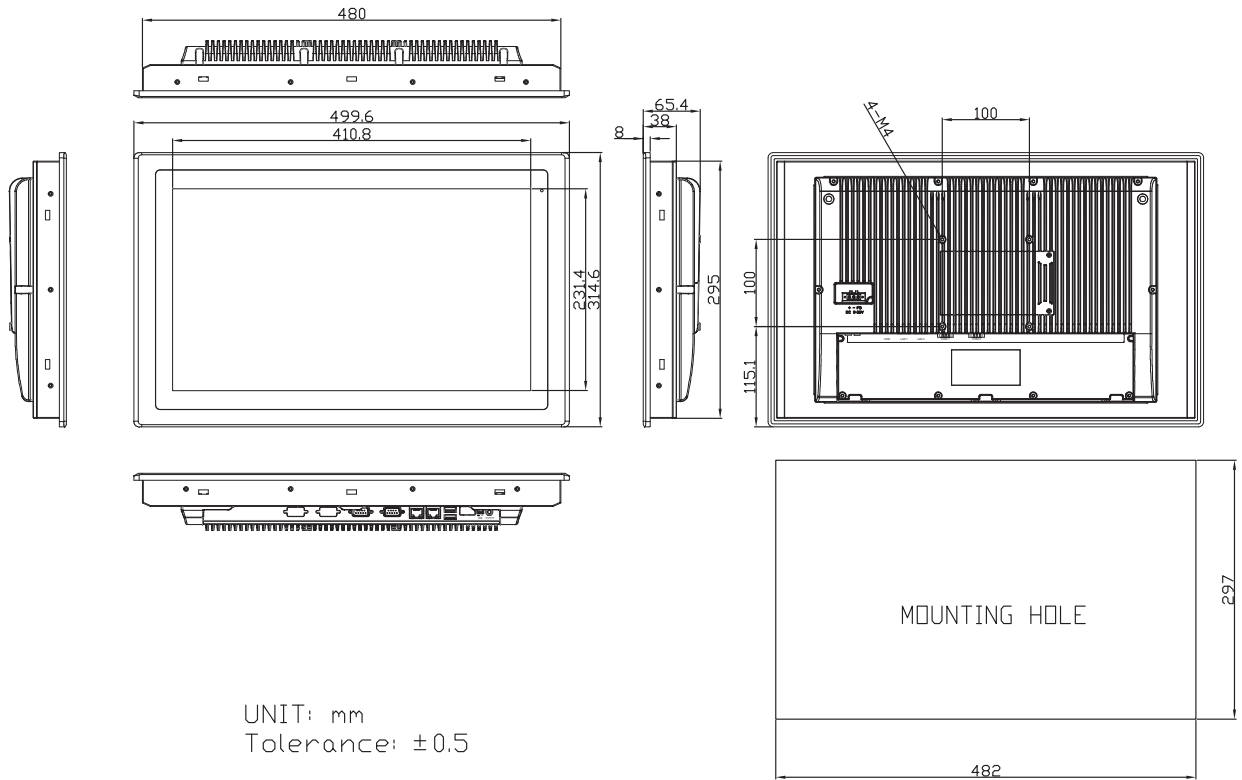
ARCHMI-916AR/P/G/H



ARCHMI-917AR/P/G/H



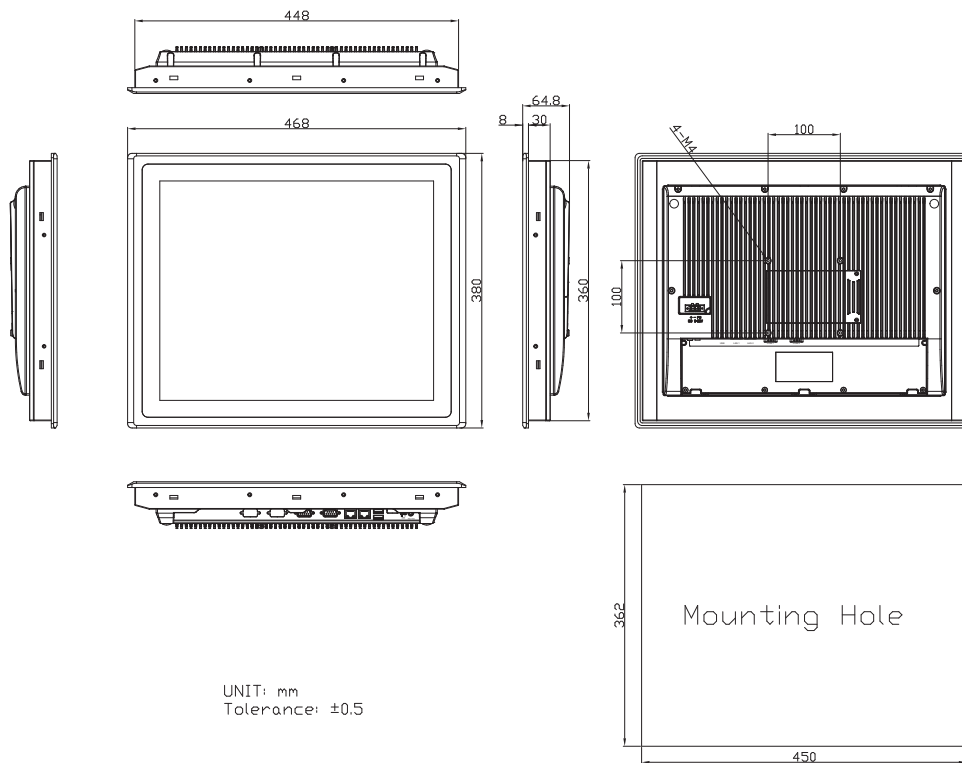
ARCHMI-918AR/P/G/H



UNIT: mm
Tolerance: ±0.5

unit:mm

ARCHMI-919AR/P/G/H



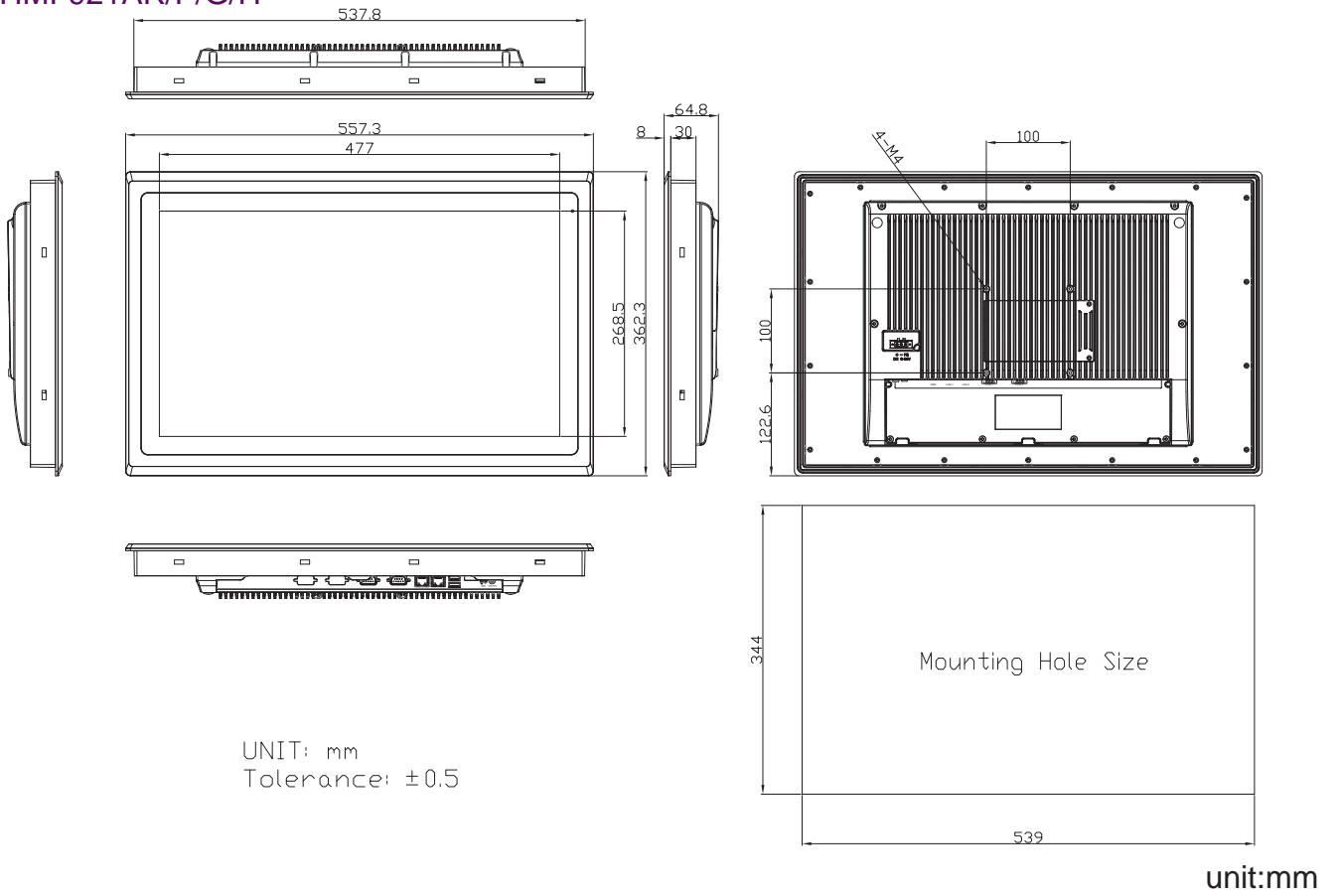
UNIT: mm
Tolerance: ±0.5

unit:mm

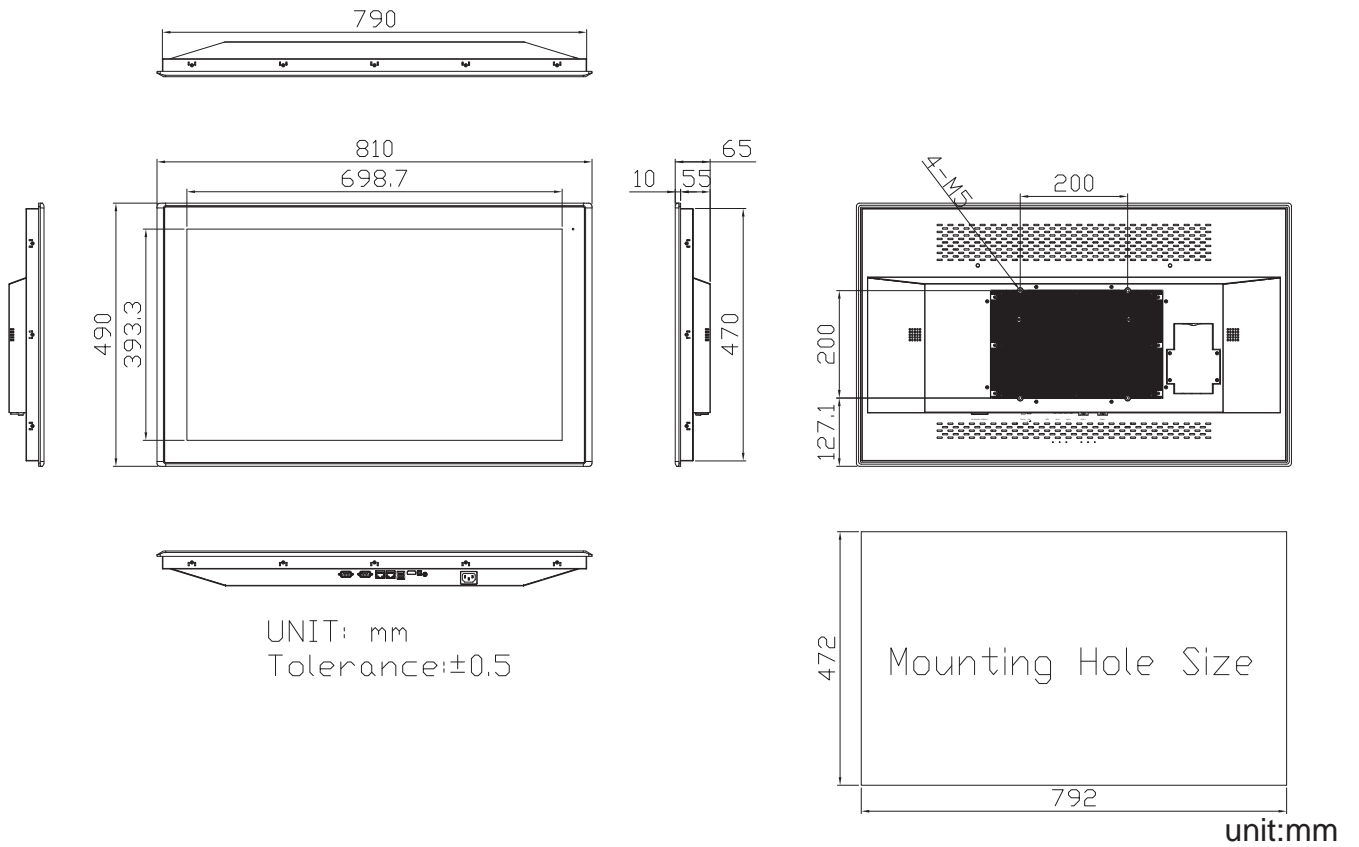
ARCHMI-9XXA Series

Performance Grade HMI

ARCHMI-921AR/P/G/H



ARCHMI-932AP



Ordering information

Model NO.	Description
ARCHMI-912A	12.1" SVGA fanless HMI barebone with Intel 6 th Gen. Core i3-6100 CPU, 4GB DDR4 RAM, Resistive touch screen, 9~36VDC input with adapter, Aluminum chassis
ARCHMI-912AP	12.1" SVGA fanless HMI barebone with Intel 6 th Gen Core i3-6100 CPU, 4GB DDR4 RAM, Projected Capacitive touch screen, 9~36VDC input with adapter, Aluminum chassis.
ARCHMI-915A	15" XGA fanless HMI barebone with Intel 6 th Gen. Core i3-6100 CPU, 4GB DDR4 RAM, Resistive touch screen screen, 9~36VDC input with adapter, Aluminum chassis.
ARCHMI-915AP	15" XGA fanless HMI barebone with Intel 6 th Gen. Core i3-6100 CPU, 4GB DDR4 RAM, Projected Capacitive touch screen, 9~36VDC input with adapter, Aluminum chassis.
ARCHMI-916A	15.6" WXGA fanless HMI barebone with Intel 6 th Gen.. Core i3-6100 CPU, 4GB DDR4 RAM, Resistive touch screen, 9~36VDC input with adapter, Aluminum chassis.
ARCHMI-916AP	15.6" WXGA fanless HMI barebone with Intel 6 th Gen. Core i3-6100 CPU, 4GB DDR4 RAM, Projected Capacitive touch screen, 9~36VDC input with adapter, Aluminum chassis.
ARCHMI-917A	17" SXGA fanless HMI barebone with Intel 6 th Gen. Core i3-6100 CPU, 4GB DDR4 RAM, Resistive touch screen, 9~36VDC input with adapter, Aluminum chassis.
ARCHMI-917AP	17" SXGA fanless HMI barebone with Intel 6 th Gen. Core i3-6100 CPU, 4GB DDR4 RAM, Projected Capacitive touch screen, 9~36VDC input with adapter, Aluminum chassis.
ARCHMI-918A	18.5" WXGA fanless HMI barebone with Intel 6 th Gen. Core i3-6100 CPU, 4GB DDR4 RAM, Resistive touch screen, 9~36VDC input with adapter, Aluminum chassis.
ARCHMI-918AP	18.5" WXGA fanless HMI barebone with Intel 6 th Gen. Core i3-6100 CPU, 4GB DDR4 RAM, Projected Capacitive touch, 9~36VDC input with adapter, Aluminum chassis.
ARCHMI-919A	19" SXGA fanless HMI barebone with Intel 6 th Gen. Core i3-6100 CPU, 4GB DDR4 RAM, Resistive touch screen, 9~36VDC input with adapter, Aluminum chassis.
ARCHMI-919AP	19" SXGA fanlessHMI barebone with Intel 6 th Gen. Core i3-6100 CPU, 4GB DDR4 RAM, Projected Capacitive touch, 9~36VDC input with adapter, Aluminum chassis.
ARCHMI-921A	21.5" FHD fanless HMI barebone with Intel 6 th Gen. Core i3-6100 CPU, 4GB DDR4 RAM, Resistive touch screen, 9~36VDC input with adapter, Aluminum chassis.
ARCHMI-921AP	21.5" FHD fanless HMI barebone with Intel 6 th Gen. Core i3-6100U CPU, 4GB DDR4 RAM, Projected Capacitive touch, 9~36VDC input with adapter, Aluminum chassis.
ARCHMI-932AP	32" FHD fanless HMI barebone with Intel 6 th Gen. Core i3-6100U CPU, 4GB DDR4 RAM, Projected Capacitive touch, AC 90~264V input, Aluminum chassis.



ARCHMI-9XX Series

Performance Grade HMI

Intel Haswell Platform Fanless HMI

- Intel® 4th Gen. Core i3/i5 Processor
- Onboard 4GB DDR3L 1600MHz
- Aluminum Die-Casting Chassis
- Fanless Design
- Easily Accessible Storage Design
- Flat Front Panel Design Meets IP66



Intel 4th Gen. Core i3
CPU built-in



Onboard 4GB DDR3L
1600MHz



Flat Front Panel Design
Meets IP66 Standard



Aluminum Die-Casting
Chassis and Fanless
Design



Easily Accessible
Storage Design





Model Name	ARCHMI-912(P)		ARCHMI-915(P)		ARCHMI-916(P)	
System						
Processor	Onboard 4th Gen Intel Core i3/i5- Processor					
System Chipset	SoC					
System Memory	Onboard 4GB DDR3L SDRAM , up to 8GB(option)					
External I/O						
USB	2 x USB 3.0 type A					
Serial/Parallel	1 x RS-232/422/485 DB9(COM1) , default RS-232 1 x RS-232 DB9(COM2)					
LAN	2 x GbE RJ-45					
Audio	1 x Line-out					
Power connector	1 x 3-pin terminal block connector 1 x 2-pin Power Switch connector					
Storage Space						
HDD	1 x 2.5" SATA3 HDD space					
Movable device	None					
Expansion						
Onboard expansion bus	1 x mini-PCIe slot(full size)					
Display						
Display type	12.1" TFT-LCD	12.1" TFT-LCD	15" TFT-LCD	15.6" TFT-LCD	15.6" TFT-LCD	15.6" TFT-LCD
Max. resolution	800 x 600	1024 x 768	1024 x 768	1024 x 768	1366 x 768	1366 x 768
Max. color	262K	16.2M	16.2M	16.2M	16.7M	16.7M
Luminance(cd/m ²)	450	500	300	300	300	300
View angle(H°/V°)	160/150	160/140	176/176	176/176	160/160	160/160
Backlight lifetime(hrs)	50000	30000	70000	70000	50000	50000
Touch Screen						
Type	Resistive Touch Projected Capacitive(For P model)					
Interface	USB					
Light transmission(%)	Resistive Touch : 80% Projected Capacitive : 90%					
Power						
Power input	DC 9~36V					
Power Consumption (TYP.)	ARCHMI-912P: 22W		ARCHMI-915P: 25W		ARCHMI-916P: 30W	
Mechanical						
Construction	Aluminum die-casting Chassis					
IP rating	IP66 compliant front bezel					
Mounting	Panel Mount , VESA 100x100					
Dimension(mm)	319 x 245 x 51.7		410 x 310 x 54.7		412 x 277.5 x 72	
Net weight(Kg)	2.7		4.3		5.0	
Environment						
Operating temperature(°C)	0~50 / -20~60 for option				0~50	
Storage temperature(°C)	-30~70					
Humidity	10 to 95% @ 40°C, non- condensing					
Certification	CE/FCC Class A					
Operating System Support						
Windows Embedded 7 Windows Embedded 8.1 Windows 10 IoT ENT LTSB						

ARCHMI-9XX Series

Performance Grade HMI



Model Name	ARCHMI-917(P)	ARCHMI-918(P)	ARCHMI-919(P)
System			
Processor	Onboard 4th Gen Intel Core i3/i5- Processor		
System Chipset	SoC		
System Memory	Onboard 4GB DDR3L SDRAM , up to 8GB(option)		
External I/O			
USB	2 x USB 3.0 type A		
Serial/Parallel	1 x RS-232/422/485 DB9(COM1) , default RS-232 1 x RS-232 DB9(COM2)		
LAN	2 x GbE RJ-45		
Audio	1 x Line-out		
Power connector	1 x 3-pin terminal block connector 1 x 2-pin Power Switch connector		
Storage Space			
HDD	1 x 2.5" SATA3 HDD space		
Movable device	None		
Expansion			
Onboard expansion bus	1 x mini-PCIe slot(full size)		
Display			
Display type	17" TFT-LCD	18.5" TFT-LCD	19" TFT-LCD
Max. resolution	1280 x 1024	1366 x 768	1280 x 1024
Max. color	16.2M	16.7M	16.7M
Luminance(cd/m ²)	350	300	350
View angle(H°/V°)	170/160	170/160	170/160
Backlight lifetime(hrs)	30000	50000	50000
Touch Screen			
Type	Resistive Touch Projected Capacitive(For P model)		
Interface	USB		
Light transmission(%)	Resistive Touch : 80% Projected Capacitive : 90%		
Power			
Power input	DC 9~36V		
Power Consumption (TYP.)	ARCHMI-917P: 30W	ARCHMI-918P: 35W	ARCHMI-919P: 36W
Mechanical			
Construction	Aluminum die-casting Chassis		
IP rating	IP66 compliant front bezel		
Mounting	Panel Mount , VESA 100x100		
Dimension(mm)	439 x 348 x 64.8	499.6 x 314.6 x 72	468 x 380 x 64.8
Net weight(Kg)	6.1	6.0	7.5
Environment			
Operating temperature(°C)	0~50		
Storage temperature(°C)	-30~70		
Humidity	10 to 95% @ 40°C, non- condensing		
Certification	CE/FCC Class A		
Operating System Support			
Windows Embedded 7 Windows Embedded 8.1 Windows 10 IoT ENT LTSC			

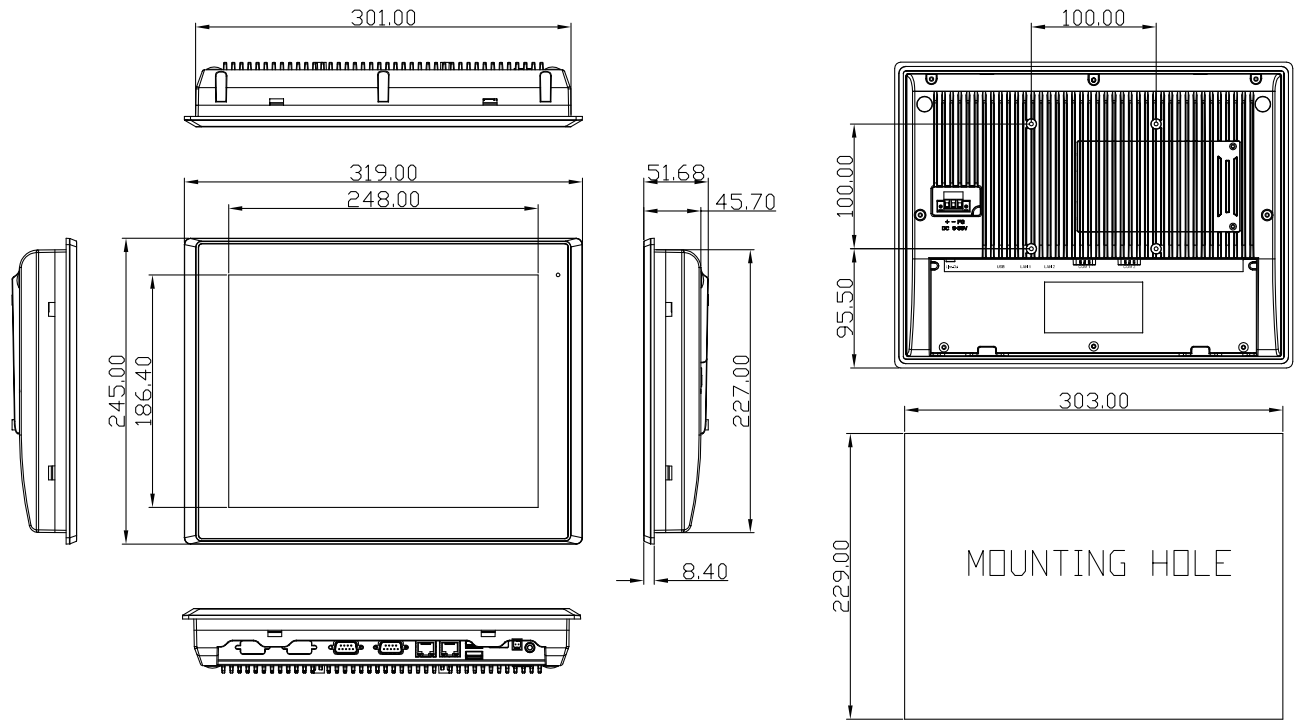


Model Name	ARCHMI-921(P)
System	
Processor	Onboard 4th Gen Intel Core i3/i5- Processor
System Chipset	SoC
System Memory	Onboard 4GB DDR3L SDRAM , up to 8GB(option)
External I/O	
USB	2 x USB 3.0 type A
Serial/Parallel	1 x RS-232/422/485 DB9(COM1) , default RS-232 1 x RS-232 DB9(COM2)
LAN	2 x GbE RJ-45
Audio	1 x Line-out
Power connector	1 x 3-pin terminal block connector 1 x 2-pin Power Switch connector
Storage Space	
HDD	1 x 2.5" SATA3 HDD space
Movable device	None
Expansion	
Onboard expansion bus	1 x mini-PCIe slot(full size)
Display	
Display type	21.5" TFT-LCD
Max. resolution	1920 x 1080
Max. color	16.7M
Luminance(cd/m ²)	250
View angle(H°/V°)	178/178
Backlight lifetime(hrs)	30000
Touch Screen	
Type	Resistive Touch Projected Capacitive(For P model)
Interface	USB
Light transmission(%)	Resistive Touch : 80% Projected Capacitive : 90%
Power	
Power input	DC 9~36V
Power Consumption (TYP.)	ARCHMI-921P: Max:33W
Mechanical	
Construction	Aluminum die-casting Chassis
IP rating	IP66 compliant front bezel
Mounting	Panel Mount , VESA 100x100
Dimension(mm)	557 x 362 x 64.8
Net weight(Kg)	7.5
Environment	
Operating temperature(°C)	0~50
Storage temperature(°C)	-30~70
Humidity	10 to 95% @ 40°C, non- condensing
Certification	CE/FCC Class A
Operating System Support	
Windows Embedded 7 Windows Embedded 8.1 Windows 10 IoT ENT LTSC	

ARCHMI-9XX Series

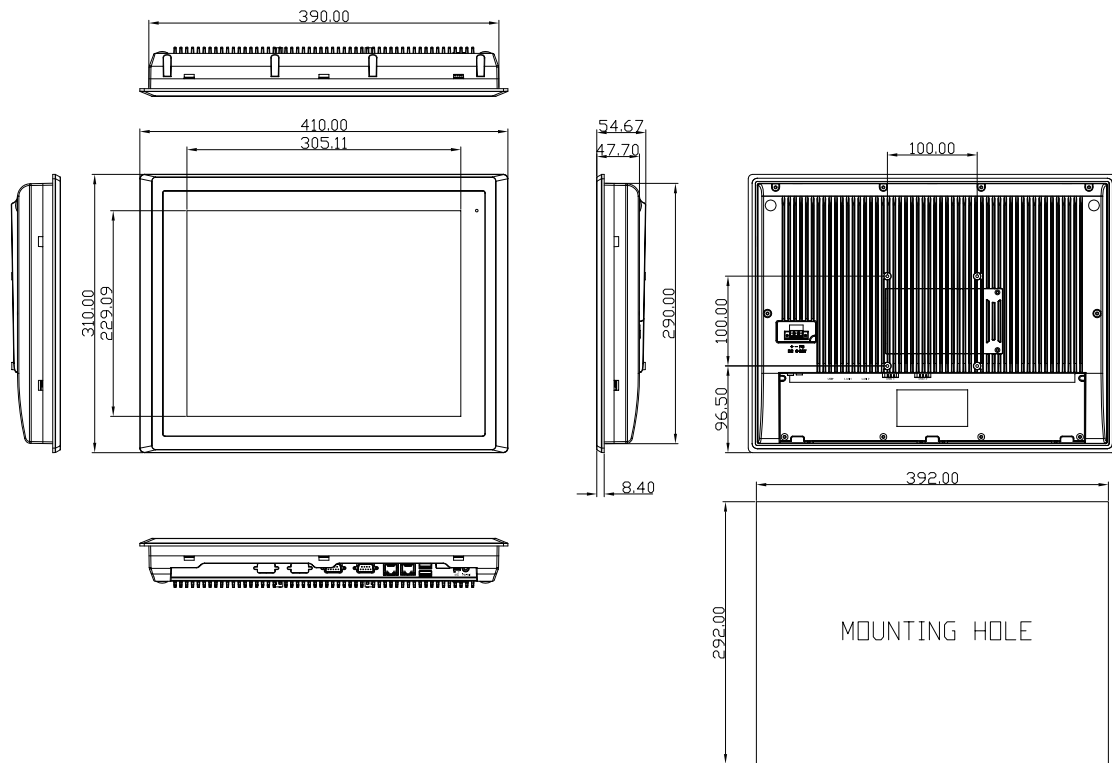
Performance Grade HMI

ARCHMI-912(P)



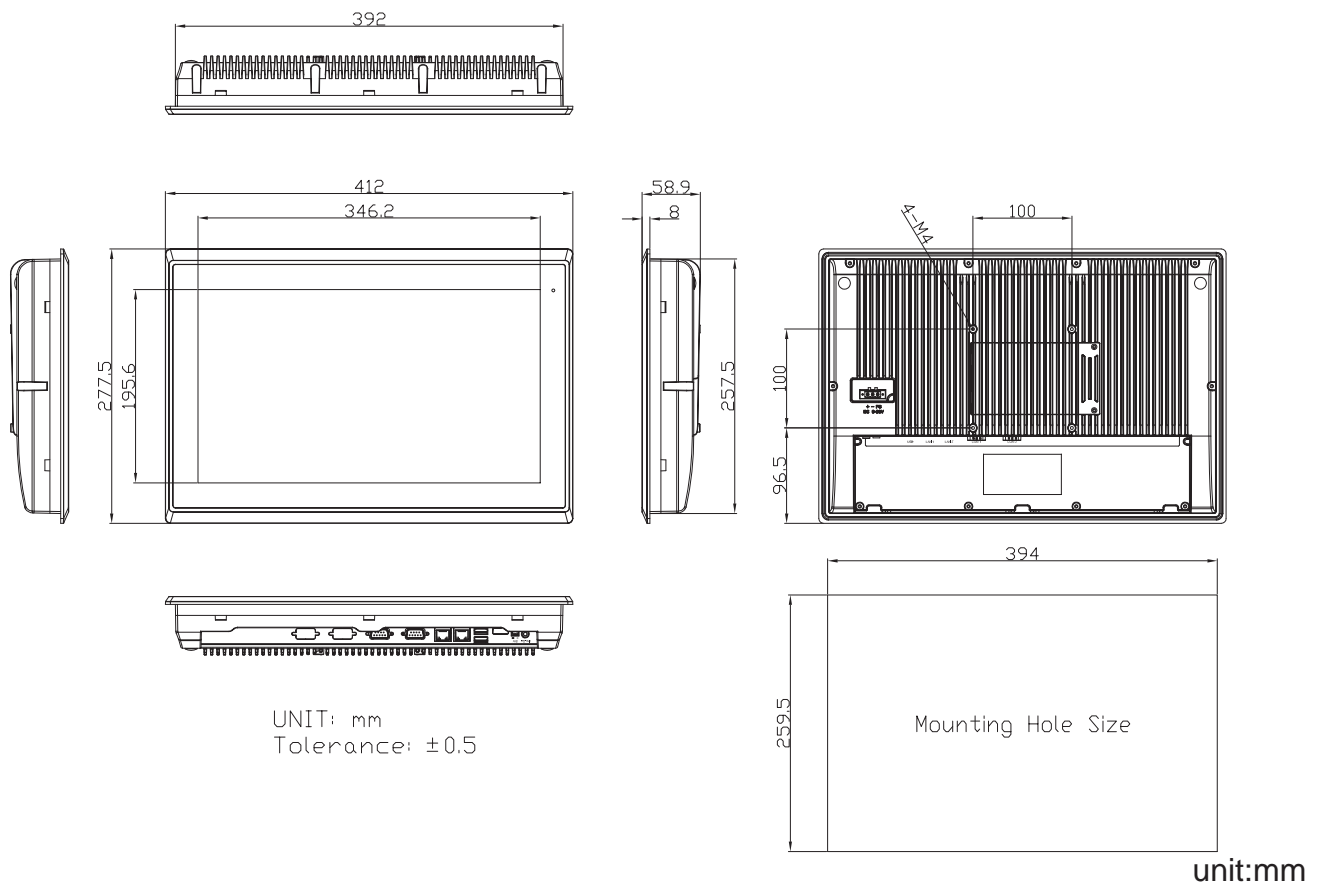
unit:mm

ARCHMI-915(P)

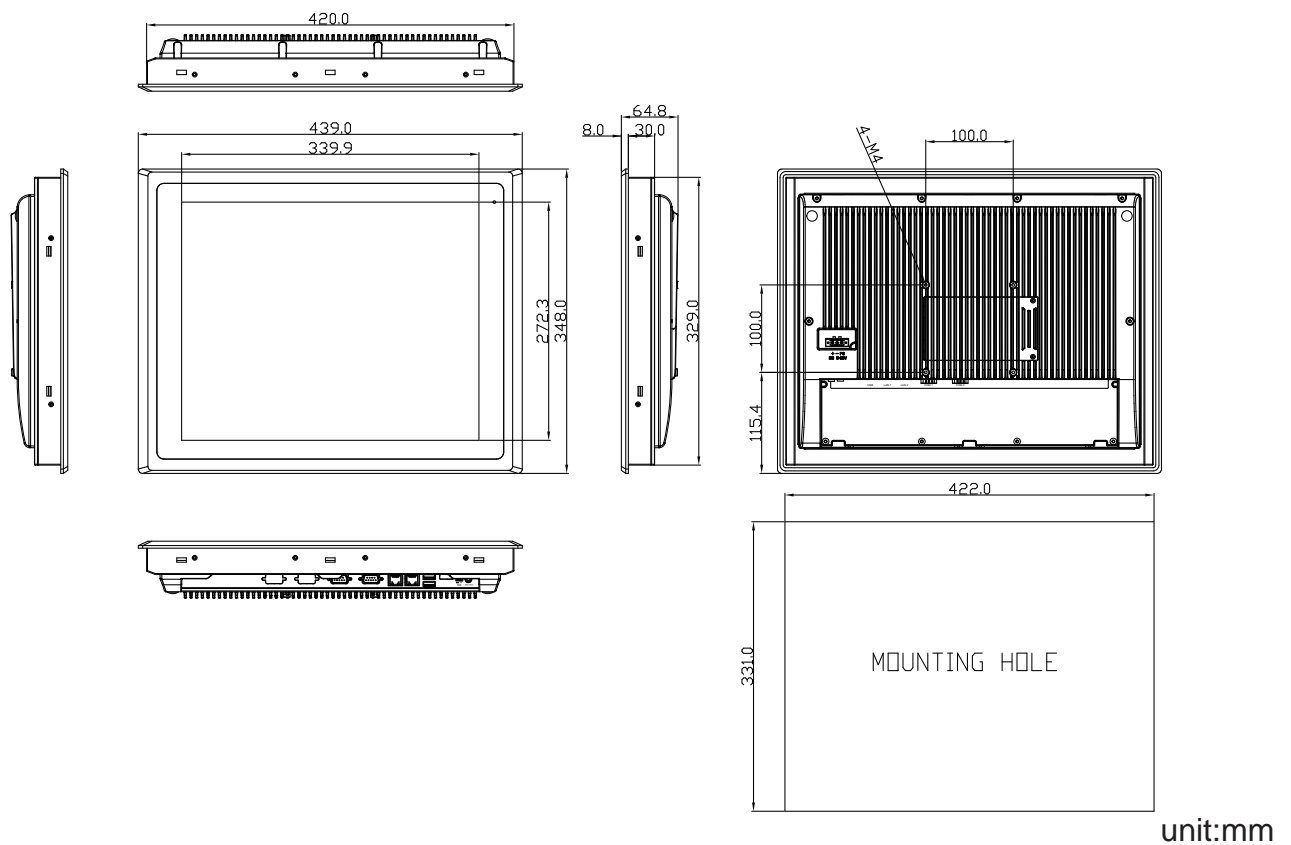


unit:mm

ARCHMI-916(P)



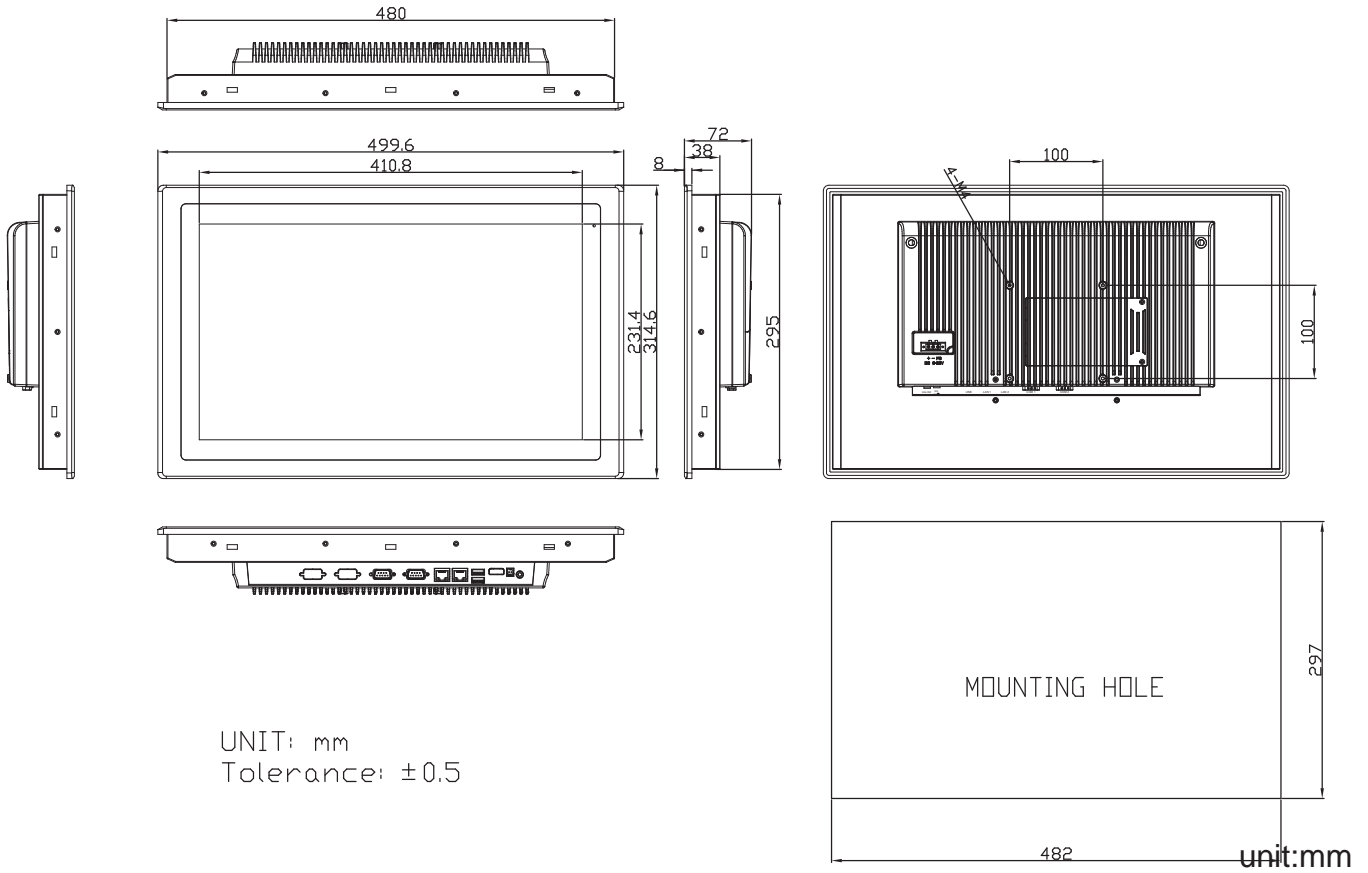
ARCHMI-917(P)



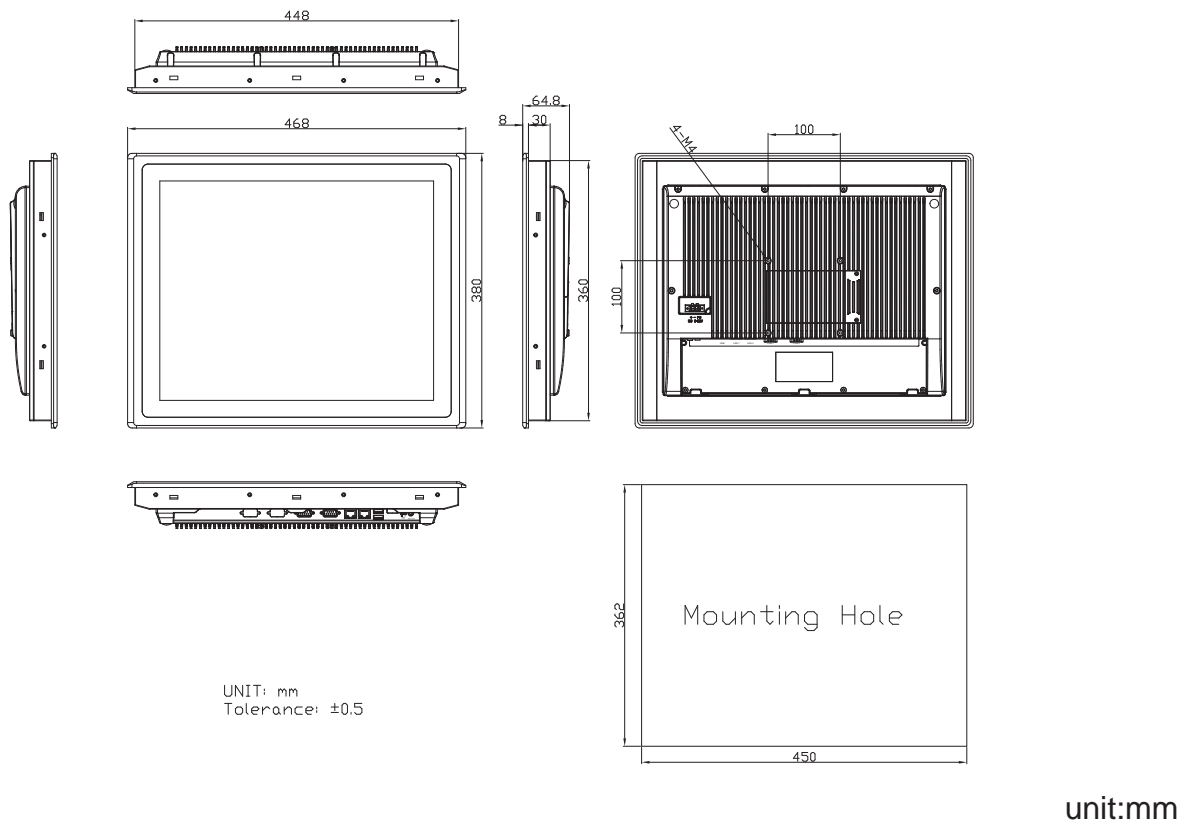
ARCHMI-9XX Series

Performance Grade HMI

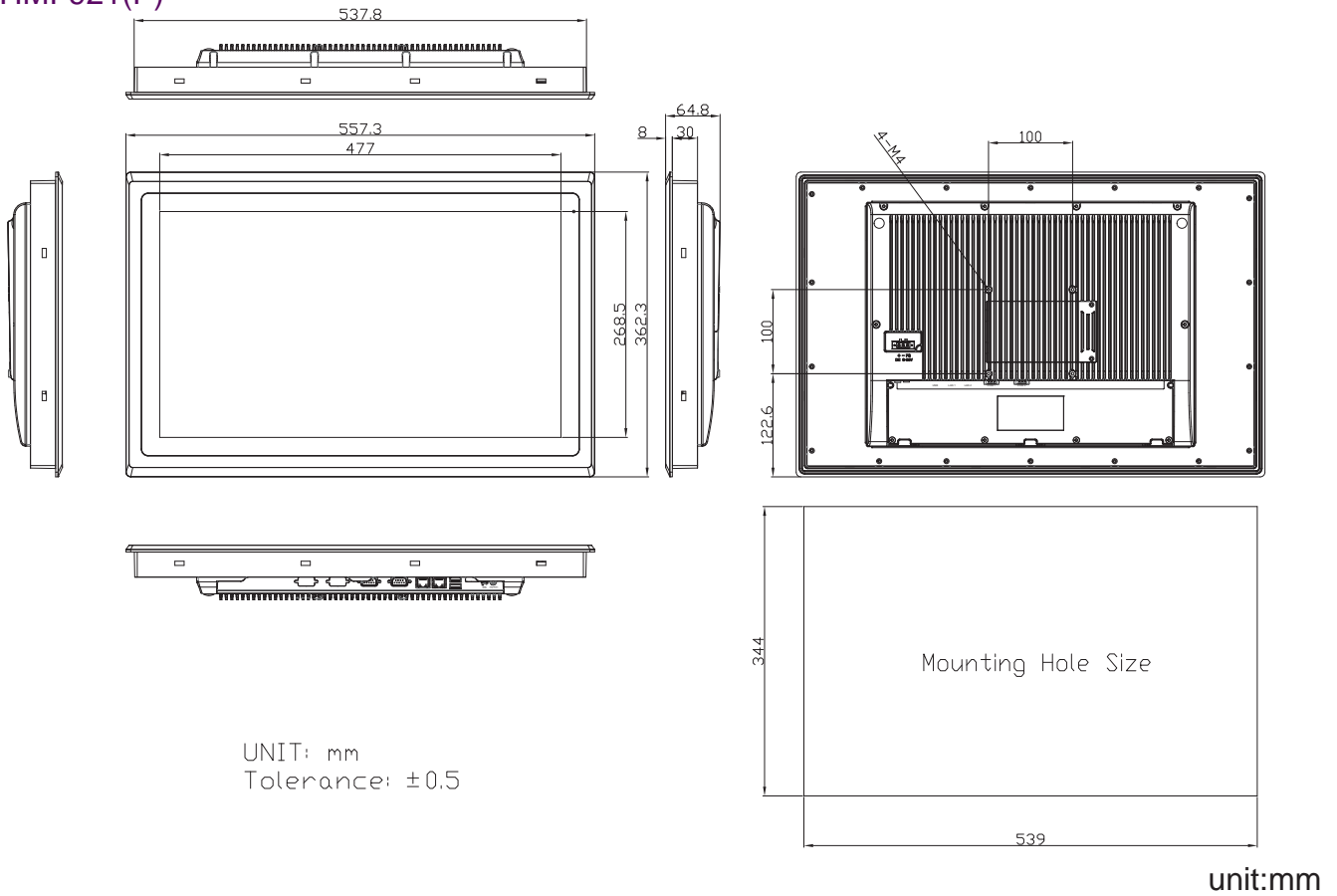
ARCHMI-918(P)



ARCHMI-919(P)



ARCHMI-921(P)



Ordering information

Model NO.	Description
ARCHMI-912	12.1"SVGA Fanless HMI barebone with Intel Core i3-4010 CPU,4GB DDR3 RAM, Resistive touch screen, 9~36VDC input with adapter, Aluminum chassis
ARCHMI-912P	12.1"SVGA Fanless HMI barebone with Intel Core i3-4010 CPU,4GB DDR3 RAM, Projected Capacitive touch, 9~36VDC input with adapter, Aluminum chassis
ARCHMI-915	15"XGA Fanless HMI barebone with Intel Core i3-4010 CPU,4GB DDR3 RAM, Resistive touch screen, 9~36VDC input with adapter, Aluminum chassis
ARCHMI-915	15"XGA Fanless HMI barebone with Intel Core i3-4010 CPU,4GB DDR3 RAM, Projected Capacitive touch, 9~36VDC input with adapter, Aluminum chassis
ARCHMI-916	15.6"WXGA Fanless HMI barebone with Intel Core i3-4010 CPU,4GB DDR3 RAM, Resistive touch screen, 9~36VDC input with adapter, Aluminum chassis
ARCHMI-916P	15.6"WXGA Fanless HMI barebone with Intel Core i3-4010 CPU,4GB DDR3 RAM, Projected Capacitive touch, 9~36VDC input with adapter, Aluminum chassis
ARCHMI-917	17" SXGA Fanless HMI barebone with Intel Core i3-4010 CPU,4GB DDR3 RAM, Resistive touch screen, 9~36VDC input with adapter, Aluminum chassis
ARCHMI-917P	17" SXGA Fanless HMI barebone with Intel Core i3-4010 CPU,4GB DDR3 RAM, Projected Capacitive touch, 9~36VDC input with adapter, Aluminum chassis
ARCHMI-918	18.5"WXGA Fanless HMI barebone with Intel Core i3-4010 CPU,4GB DDR3 RAM, Resistive touch screen, 9~36VDC input with adapter, Aluminum chassis
ARCHMI-918P	18.5"WXGA Fanless HMI barebone with Intel Core i3-4010 CPU,4GB DDR3 RAM, Projected Capacitive touch, 9~36VDC input with adapter, Aluminum chassis
ARCHMI-921	21.5"FHD Fanless HMI barebone with Intel Core i3-4010 CPU,4GB DDR3 RAM, Resistive touch screen, 9~36VDC input with adapter, Aluminum chassis
ARCHMI-921P	21.5"FHD Fanless HMI barebone with Intel Core i3-4010 CPU,4GB DDR3 RAM, Projected Capacitive touch, 9~36VDC input with adapter, Aluminum chassis

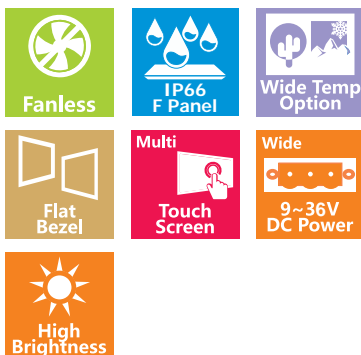


ARCHMI-8XXA Series

Fanless Industrial Compact Size
High Brightness HMI

Innovating Fast, Baytrail Solution

- Intel Pentium N4200 / Celeron N3350 Processor
- Onboard 4GB/8GB(option) DDR3L
- Aluminum Die-Casting Chassis
- Fanless Design
- Easily Accessible Storage Design
- Flat Front Panel Design Meets IP66
- High brightness 1,000 nits



Intel Pentium N4200
/ Celeron N3350
Processor



Onboard 4GB DDR3L
Memory /8GB(option)



Flat Front Panel Design
Meets IP66 Standard



Aluminum Die-Casting
Chassis and Fanless
Design



Easily Accessible
Storage Design





Model Name	ARCHMI-807A(R)(P) ARCHMI-807A(R)(P)H		ARCHMI-808A(R)(P) ARCHMI-808A(R)(P)H		ARCHMI-810A((R)(P) ARCHMI-810A(R)(P)H		ARCHMI-812A(R)(P) ARCHMI-812A(R)(P)H			
System										
Processor	Intel Pentium N4200 Processor(2M Cache,1.1GHz) / Celeron N3350 Processor(2M Cache,1.1GHz)									
System Chipset	SoC									
System Memory	Onboard 4GB DDR3L SDRAM , up to 8GB(option)									
External I/O										
USB	2 x USB 3.0 type A									
Serial/Parallel	1 x RS-232/422/485 DB9(COM1) , default RS-232 1 x RS-232 DB9(COM2)									
LAN	2 x GbE RJ-45									
Audio	1 x Line-out									
Power connector	1 x 3-pin terminal block connector 1 x 2-pin Power Switch connector									
Storage Space										
HDD	1 x 2.5" SATA3 HDD/SSD space									
Movable device	1 x Micro SD slot									
Expansion										
Onboard expansion bus	1 x mini-PCIe slot(full size)									
Display										
	ARCHMI-807A(P)	ARCHMI-807A(P)H	ARCHMI-808A(P)	ARCHMI-808A(P)H	ARCHMI-810A(P)	ARCHMI-810A(P)H	ARCHMI-812A(P)	ARCHMI-812A(P)H		
Display type	7" TFT-LCD		8" TFT-LCD		10.1" TFT-LCD		12.1" TFT-LCD			
Max. resolution	800 x 480		800 x 600		1280 x 800		800 x 600	1024x768	800 x 600	1024x768
Max. color	262K	262K	16.2M	16.2M	16.7M	16.7M	262K	16.2M	16.2M	262K
Luminance(cd/m²)	350	1000	350	1000	350	1000	450	500	1000	1200
View angle(H°/V°)	120/140	140/130	140/120	140/125	170/170	170/170	160/150	160/140	178/178	160/140
Backlight lifetime(hrs)	50000	50000	40000	50000	25000	50000	50000	30000	50000	50000
Touch Screen										
Type	Resistive Touch Projected Capacitive(For P model)									
Interface	USB									
Light transmission(%)	Resistive Touch : 80% Projected Capacitive : 90%									
Power										
Power input	DC 9~36V									
Power Consumption (TYP.)	TBD		TBD		ARCHMI-810AP: 28W		ARCHMI-812AP: 29W			
Mechanical										
Construction	Aluminum die-casting Chassis									
IP rating	IP66 Compliant Front Bezel									
Mounting	Panel Mount , VESA 75 x 75				Panel Mount , VESA 100 x 100					
Dimension(mm)	202 x 149 x 40		231 x 176.1 x 50		285 x 189 x 48.9		319 x 245 x 51.7			
Net weight(Kg)	2.8		1.9		2.0		2.8			
Environment										
Operating temperature(°C)	0~50/-20~60(option)									
Storage temperature(°C)	-30~70									
Humidity	10 to 95% @ 40°C, non- condensing									
Certification	CE/FCC Class A									
Operating System Support										
Windows Embedded 7 Windows Embedded 8.1 Windows 10 IoT ENT LTSC										

ARCHMI-8XXA Series

Innovating Fast, Apollo Lake Solution



Model Name	ARCHMI-815A(R)(P) ARCHMI-815A(R)(P)H		ARCHMI-816A(R)(P) ARCHMI-816A(R)(P)H		ARCHMI-817A(R)(P) ARCHMI-817A(R)(P)H	
System						
Processor	Intel Pentium N4200 Processor(2M Cache,1.1GHz) / Celeron N3350 Processor(2M Cache,1.1GHz)					
System Chipset	SoC					
System Memory	Onboard 4GB DDR3L SDRAM , up to 8GB(option)					
External I/O						
USB	2 x USB 3.0 type A					
Serial/Parallel	1 x RS-232/422/485 DB9(COM1) , default RS-232 1 x RS-232 DB9(COM2)					
LAN	2 x GbE RJ-45					
Audio	1 x Line-out					
Power connector	1 x 3-pin terminal block connector 1 x 2-pin Power Switch connector					
Storage Space						
HDD	1 x 2.5" SATA3 HDD/SSD space					
Movable device	1 x Micro SD slot					
Expansion						
Onboard expansion bus	1 x mini-PCIe slot(full size)					
Display	ARCHMI-815A(R)(P)	ARCHMI-815A(R)(P)H	ARCHMI-816A(R)(P)	ARCHMI-816A(R)(P)H	ARCHMI-817A(R)(P)	ARCHMI-817A(R)(P)H
Display type	15" TFT-LCD		15.6" TFT-LCD		17" TFT-LCD	
Max. resolution	1024 x 768		1366 x 768		1280 x 1024	
Max. color	16.2M	16.7M	16.7M	16.7M	16.2M	16.7M
Luminance(cd/m ²)	300	1000	300	1000	350	1000
View angle(H°/V°)	176/176	160/150	160/160	160/160	170/160	170/160
Backlight lifetime(hrs)	70000	50000	50000	50000	30000	50000
Touch Screen						
Type	Resistive Touch Projected Capacitive(For P model)					
Interface	USB					
Light transmission(%)	Resistive Touch : 80% Projected Capacitive : 90%					
Power						
Power input	DC 9~36V					
Power Consumption (TYP.)	ARCHMI-815AP:31W		TBD		TBD	
Mechanical						
Construction	Aluminum die-casting Chassis					
IP rating	IP66 Compliant Front Bezel					
Mounting	Panel Mount, VESA 100 x 100					
Dimension(mm)	410 x 310 x 54.7		412 x 277.5 x 58.9		439 x 348 x 64.8	
Net weight(Kg)	4.6		4.8		5.1	
Environment						
Operating temperature(°C)	0~50/-20~60(option)		0~50			
Storage temperature(°C)	-30~70					
Humidity	10 to 95% @ 40°C, non- condensing					
Certification	CE/FCC Class A					
Operating System Support						
Windows Embedded 7 Windows Embedded 8.1 Windows 10 IoT ENT LTSC						

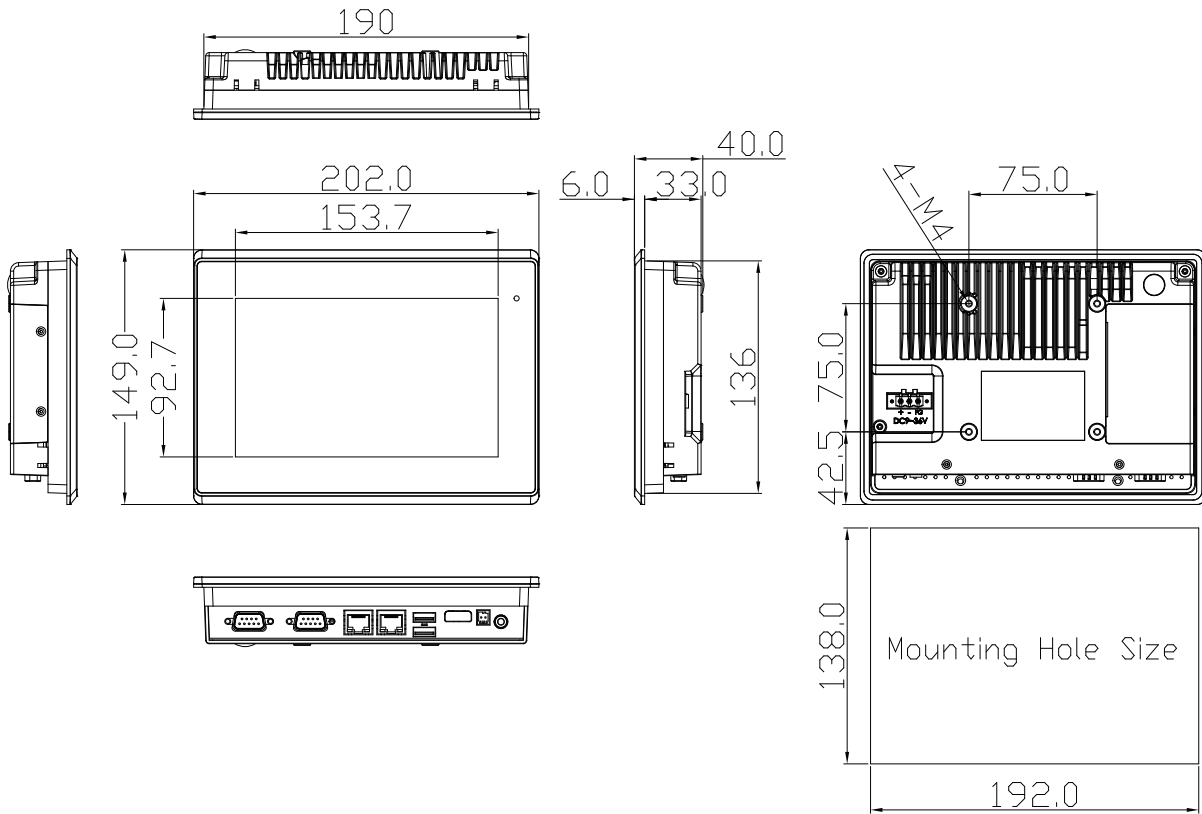


Model Name	ARCHMI-818A(R)(P) ARCHMI-818A(R)(P)H		ARCHMI-819A(R)(P) ARCHMI-819A(R)(P)H		ARCHMI-821A(R)(P) ARCHMI-821A(R)(P)H	
System						
Processor	Intel Pentium N4200 Processor(2M Cache,1.1GHz) / Celeron N3350 Processor(2M Cache,1.1GHz)					
System Chipset	SoC					
System Memory	Onboard 4GB DDR3L SDRAM , up to 8GB(option)					
External I/O						
USB	2 x USB 3.0 type A					
Serial/Parallel	1 x RS-232/422/485 DB9(COM1) , default RS-232 1 x RS-232 DB9(COM2)					
LAN	2 x GbE RJ-45					
Audio	1 x Line-out					
Power connector	1 x 3-pin terminal block connector 1 x 2-pin Power Switch connector					
Storage Space						
HDD	1 x 2.5" SATA3 HDD/SSD space					
Movable device	1 x Micro SD slot					
Expansion						
Onboard expansion bus	1 x mini-PCIe slot(full size)					
Display						
	ARCHMI-818A(R)(P)	ARCHMI-818A(R)(P)H	ARCHMI-819A(R)(P)	ARCHMI-819A(R)(P)H	ARCHMI-821A(R)(P)	ARCHMI-821A(R)(P)H
Display type	18.5" TFT-LCD		19" TFT-LCD		21.5" TFT-LCD	
Max. resolution	1366 x 768		1280 x 1024		1920 x 1080	
Max. color	16.7M	16.7M	16.7M	16.7M	16.7M	16.7M
Luminance(cd/m ²)	300	1000	350	1000	250	1000
View angle(H°/V°)	170/160	170/160	170/160	170/160	178/178	178/178
Backlight lifetime(hrs)	50000	50000	50000	50000	30000	50000
Touch Screen						
Type	Resistive Touch Projected Capacitive(For P model)					
Interface	USB					
Light transmission(%)	Resistive Touch : 80% Projected Capacitive : 90%					
Power						
Power input	DC 9~36V					
Power Consumption (TYP.)	TBD		TBD		ARCHMI-821AP: 44W	
Mechanical						
Construction	Aluminum die-casting Chassis					
IP rating	IP66 Compliant Front Bezel					
Mounting	Panel Mount , VESA 100 x 100					
Dimension(mm)	499.6 x 314.6 x 72		468 x 380 x 64.8		557 x 362 x 64.8	
Net weight(Kg)	6.0		7.3		7.5	
Environment						
Operating temperature(°C)	0 ~ 50 (0~40 only for ARCHMI-821APH and ARCHMI-821AH- 21.5" high brightness model)					
Storage temperature(°C)	-30~70					
Humidity	10 to 95% @ 40°C, non- condensing					
Certification	CE/FCC Class A					
Operating System Support						
Windows Embedded 7 Windows Embedded 8.1 Windows 10 IoT ENT LTSB						

ARCHMI-8XXA Series

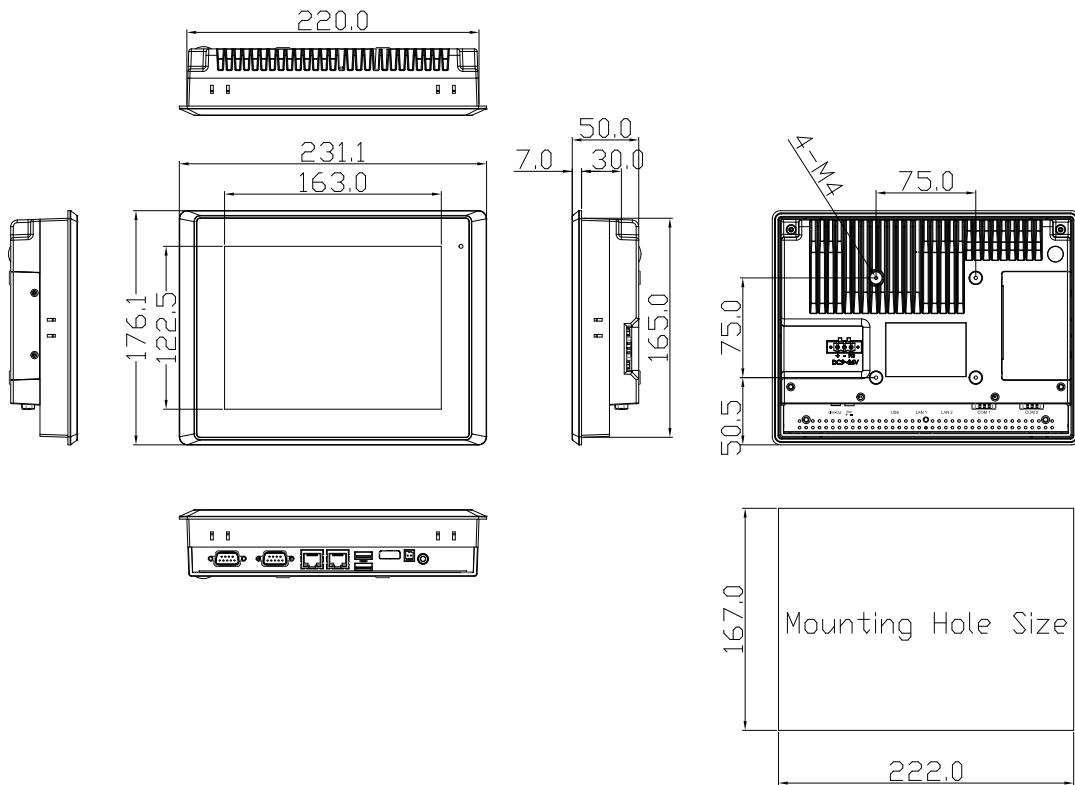
Innovating Fast, Apollo Lake Solution

ARCHMI-807A/R/P/H



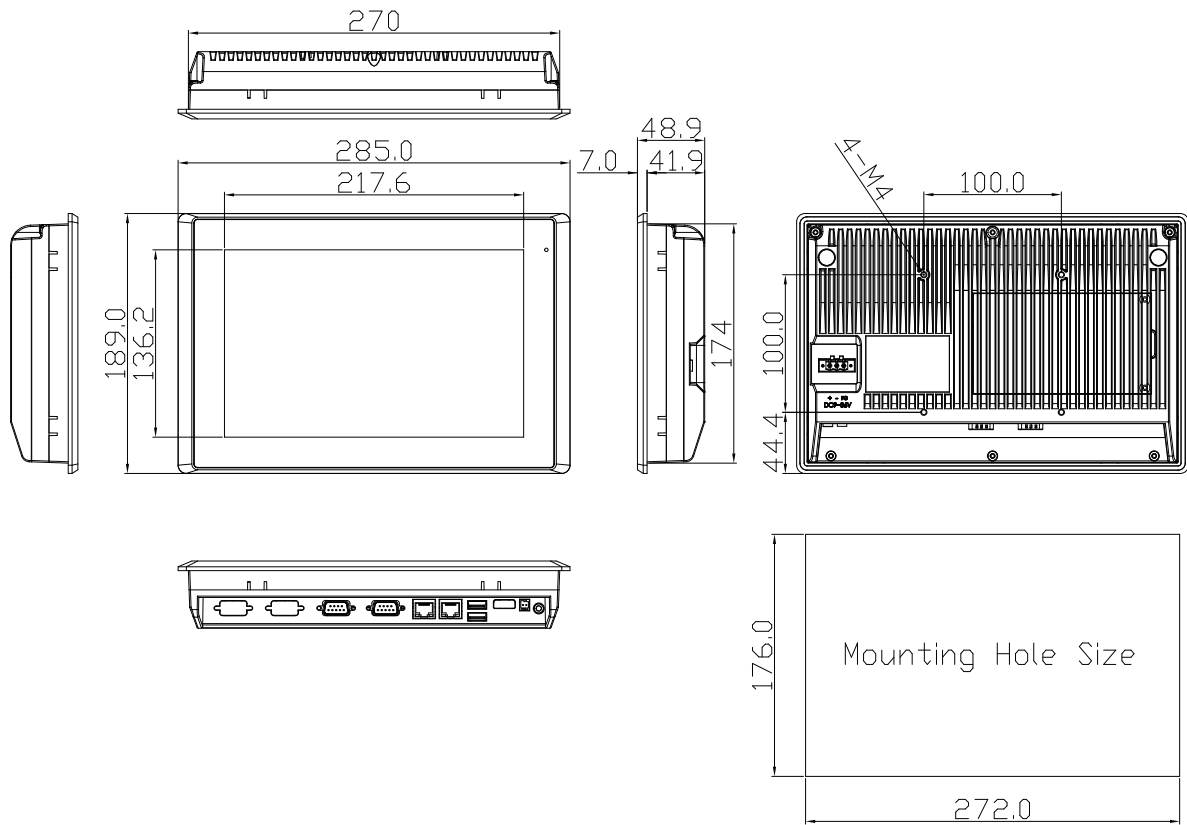
unit:mm

ARCHMI-808A/R/P/H



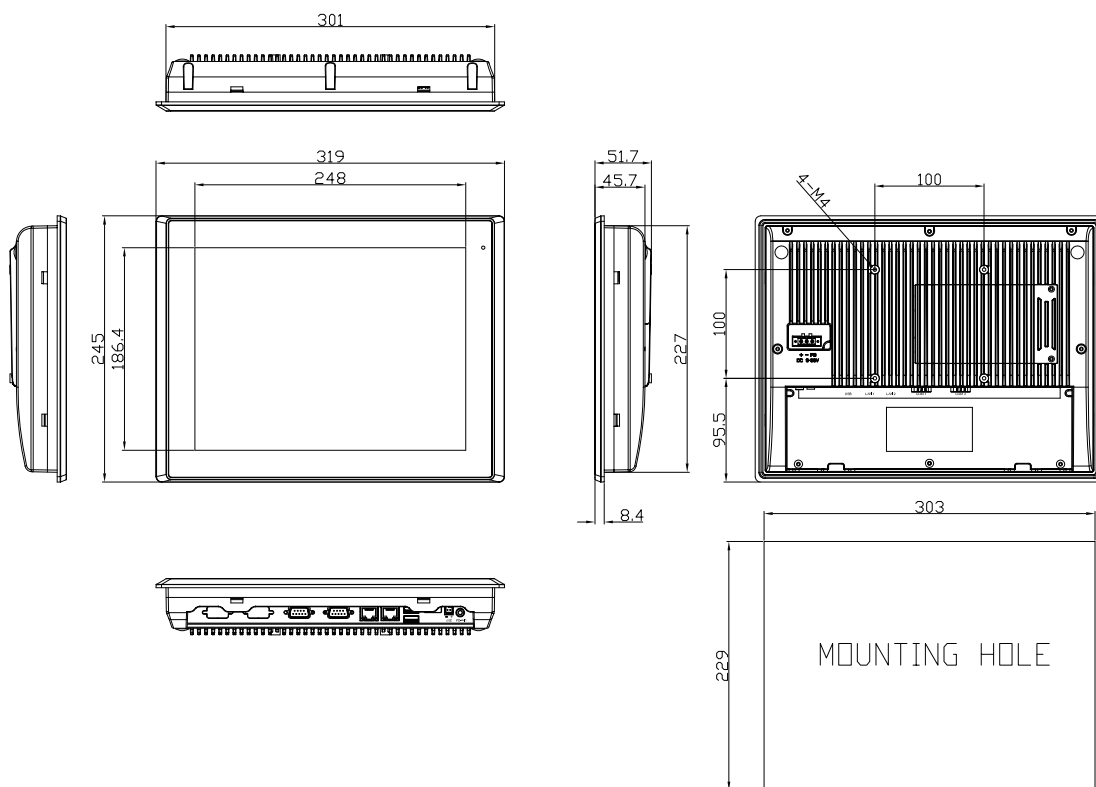
unit:mm

ARCHMI-810A/R/P/H



unit:mm

ARCHMI-812A/R/P/H

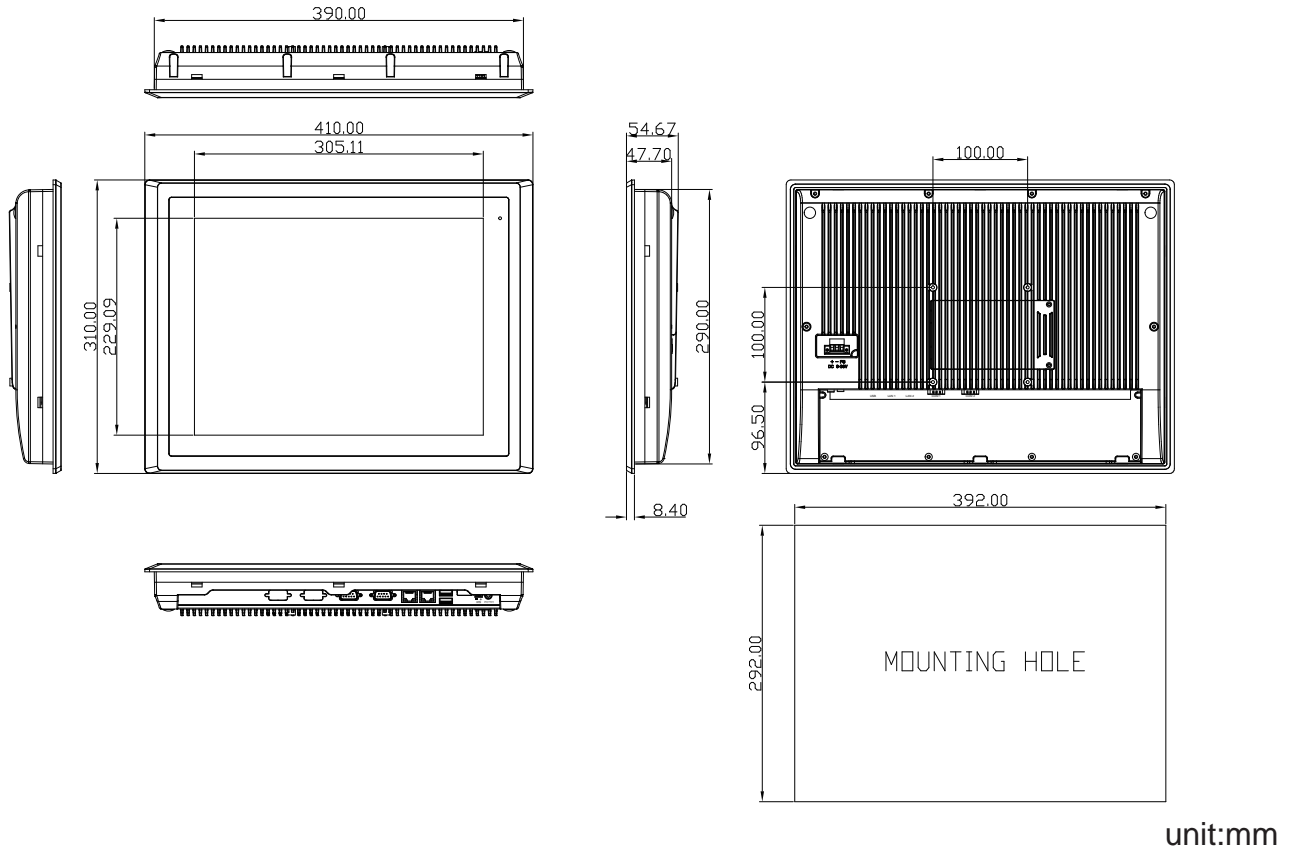


unit:mm

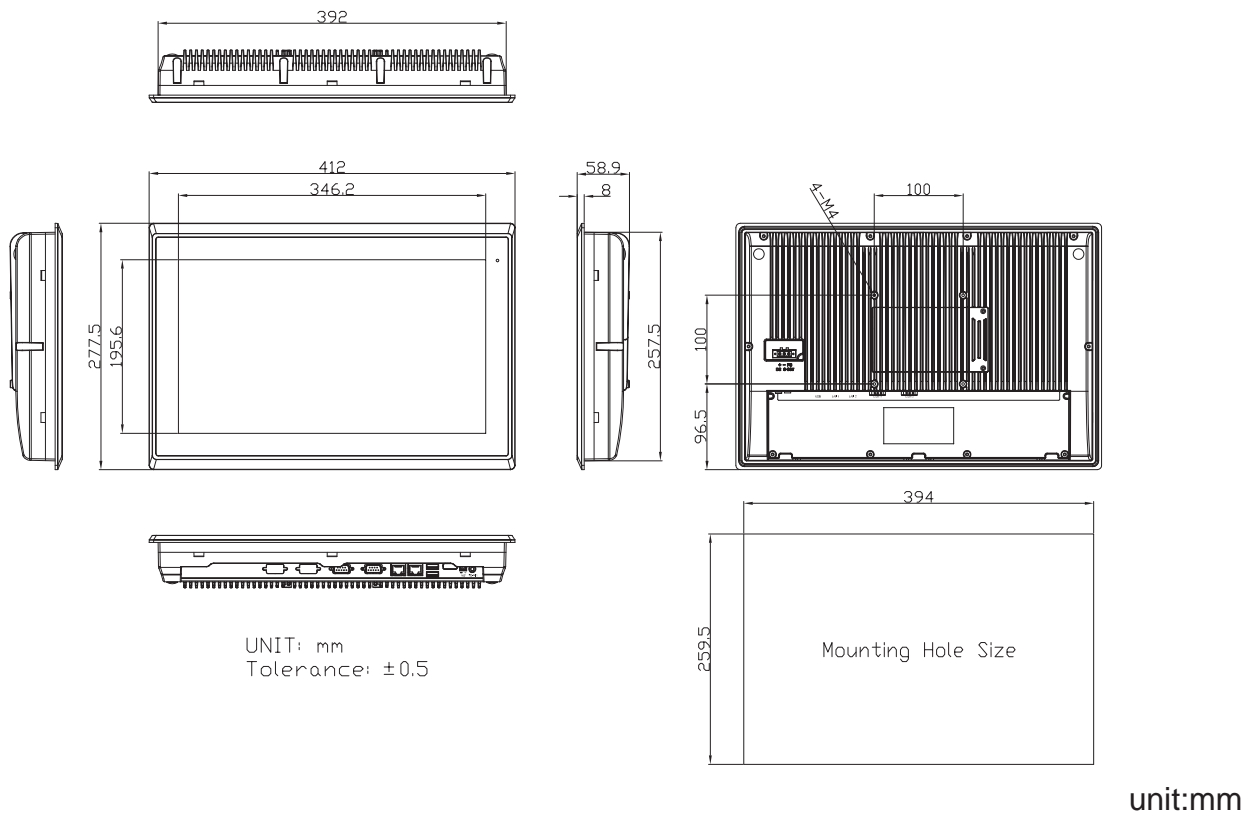
ARCHMI-8XXA Series

Innovating Fast, Apollo Lake Solution

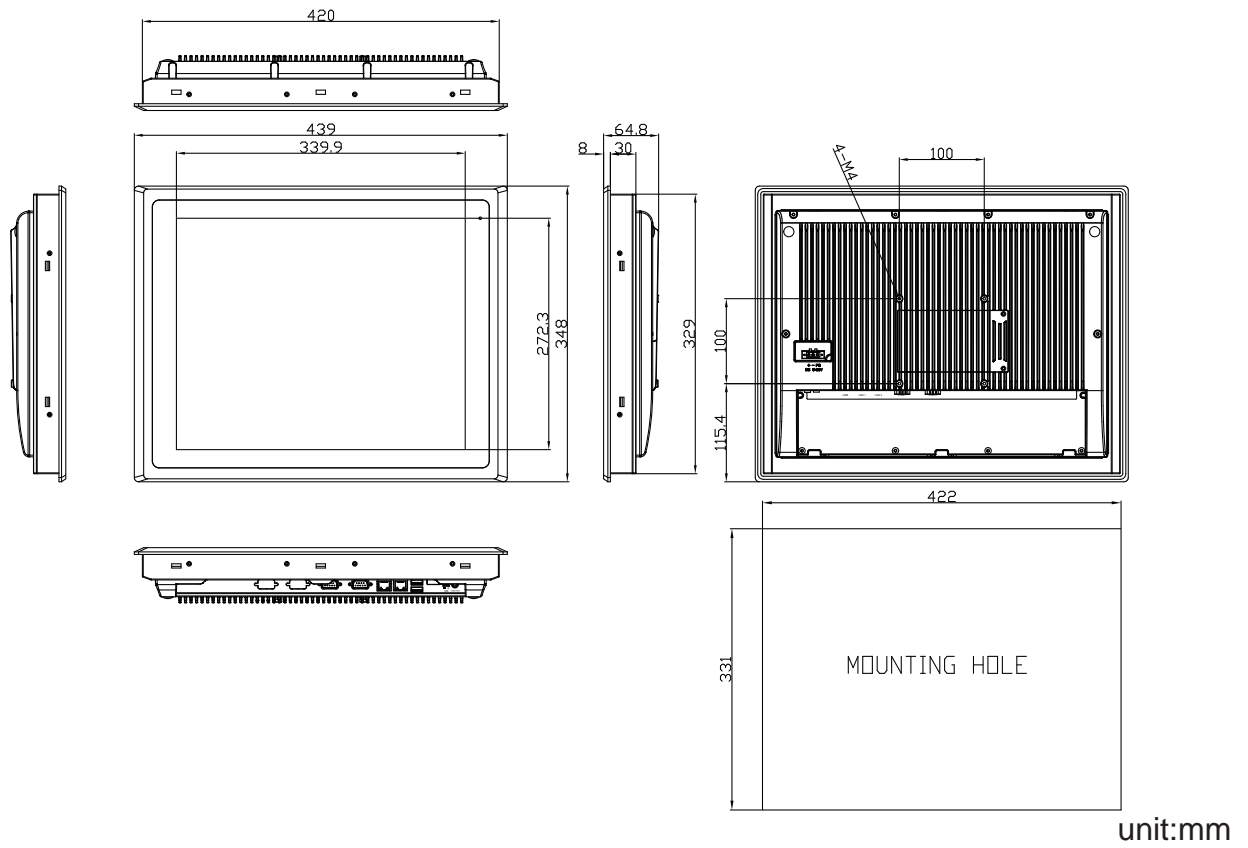
ARCHMI-815A/R/P/H



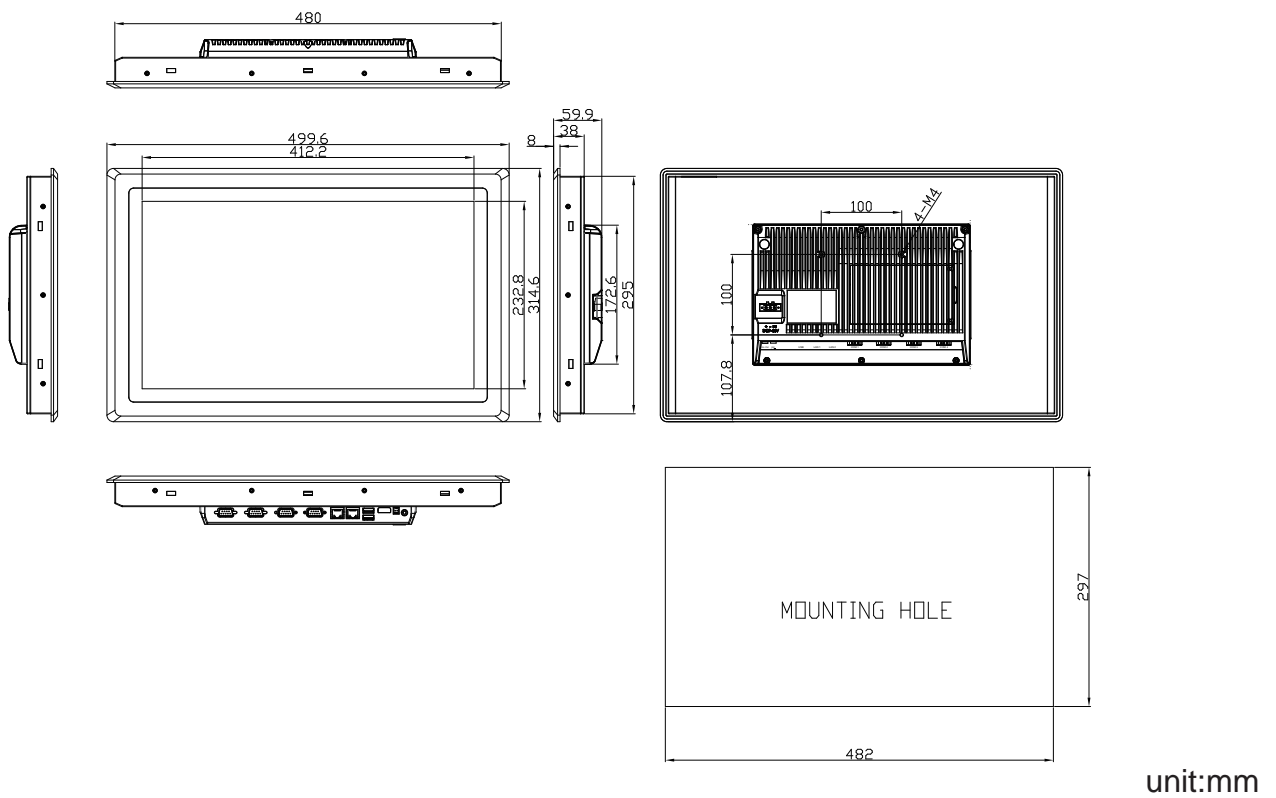
ARCHMI-816A/R/P/H



ARCHMI-817A/R/P/H



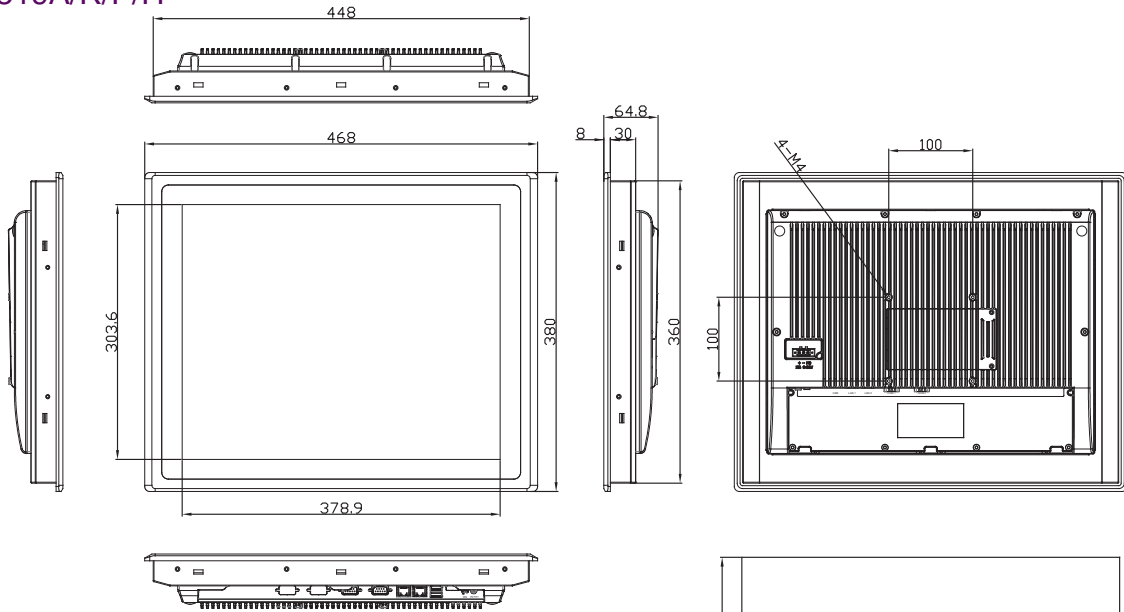
ARCHMI-818A/R/P/H



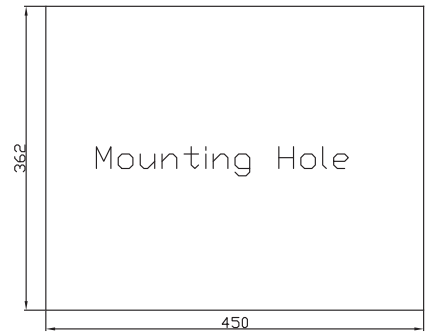
ARCHMI-8XXA Series

Innovating Fast, Apollo Lake Solution

ARCHMI-819A/R/P/H

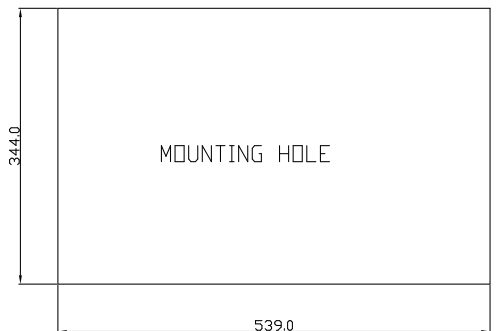
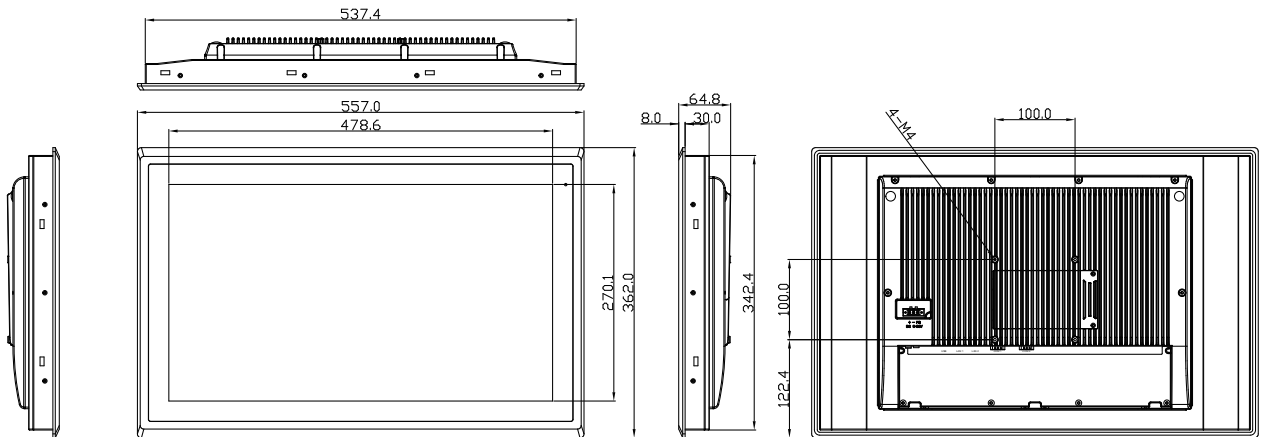


UNIT: mm
Tolerance: ±0.5



unit:mm

ARCHMI-821A/R/P/H



unit:mm

Ordering information

Model NO.	Description
ARCHMI-807AR	7" WVGA Fanless HMI barebone with Intel Pentium N4200 CPU, 2GB DDR3L RAM, Resistive touch screen, 9~36VDC input with adapter, Aluminum chassis
ARCHMI-807AP	7" WVGA Fanless HMI barebone with Intel Pentium N4200 CPU, 2GB DDR3L RAM, Projected Capacitive touch, 9~36VDC input with adapter, Aluminum chassis
ARCHMI-808AR	8" SVGA Fanless HMI barebone with Intel Pentium N4200 CPU, 2GB DDR3L RAM, Resistive touch screen, 9~36VDC input with adapter, Aluminum chassis
ARCHMI-808AP	8" SVGA Fanless HMI barebone with Intel Pentium N4200 CPU, 2GB DDR3L RAM, Projected Capacitive touch, 9~36VDC input with adapter, Aluminum chassis
ARCHMI-810AR	10.1" WXGA fanless HMI barebone with Intel Pentium N4200 CPU, 2GB DDR3L RAM, Resistive touch screen, 9~36VDC input with adapter, Aluminum chassis
ARCHMI-810AP	10.1" WXGA fanless HMI barebone with Intel Pentium N4200 CPU, 2GB DDR3L RAM, Projected Capacitive touch, 9~36VDC input with adapter, Aluminum chassis
ARCHMI-812AR	12.1" SVGA Fanless HMI barebone with Intel Pentium N4200 CPU, 2GB DDR3L RAM, Resistive touch screen, 9~36VDC input with adapter, Aluminum chassis
ARCHMI-812AP	12.1" SVGA Fanless HMI barebone with Intel Pentium N4200 CPU, 2GB DDR3L RAM, Projected Capacitive touch, 9~36VDC input with adapter, Aluminum chassis
ARCHMI-815AR	15" XGA Fanless HMI barebone with Intel Pentium N4200 CPU, 2GB DDR3L RAM, Resistive touch screen, 9~36VDC input with adapter, Aluminum chassis
ARCHMI-815AP	15" XGA Fanless HMI barebone with Intel Pentium N4200 CPU, 2GB DDR3L RAM, Projected Capacitive touch, 9~36VDC input with adapter, Aluminum chassis
ARCHMI-816AR	15.6" WXGA Fanless HMI barebone with Intel Pentium N4200 CPU, 2GB DDR3L RAM, Resistive touch screen, 9~36VDC input with adapter, Aluminum chassis
ARCHMI-816AP	15.6" WXGA Fanless HMI barebone with Intel Pentium N4200 CPU, 2GB DDR3L RAM, Projected Capacitive touch, 9~36VDC input with adapter, Aluminum chassis
ARCHMI-817AR	17" SXGA Fanless HMI barebone with Intel Pentium N4200 CPU, 2GB DDR3L RAM, Resistive touch screen, 9~36VDC input with adapter, Aluminum chassis
ARCHMI-817AP	17" SXGA Fanless HMI barebone with Intel Pentium N4200 CPU, 2GB DDR3L RAM, Projected Capacitive touch, 9~36VDC input with adapter, Aluminum chassis
ARCHMI-818AR	18.5" WXGA Fanless HMI barebone with Intel Pentium N4200 CPU, 2GB DDR3L RAM, Resistive touch screen, 9~36VDC input with adapter, Aluminum chassis
ARCHMI-818AP	18.5" WXGA Fanless HMI barebone with Intel Pentium N4200 CPU, 2GB DDR3L RAM, Projected Capacitive touch, 9~36VDC input with adapter, Aluminum chassis
ARCHMI-819AR	19" SXGA Fanless HMI barebone with Intel Pentium N4200 CPU, 2GB DDR3L RAM, Resistive touch screen, 9~36VDC input with adapter, Aluminum chassis
ARCHMI-819AP	19" SXGA Fanless HMI barebone with Intel Pentium N4200 CPU, 2GB DDR3L RAM, Projected Capacitive touch, 9~36VDC input with adapter, Aluminum chassis
ARCHMI-821AR	21.5" FHD Fanless HMI barebone with Intel Pentium N4200 CPU, 2GB DDR3L RAM, Resistive touch screen, 9~36VDC input with adapter, Aluminum chassis
ARCHMI-821AP	21.5" FHD Fanless HMI barebone with Intel Pentium N4200 CPU, 2GB DDR3L RAM, Projected Capacitive touch, 9~36VDC input with adapter, Aluminum chassis

Model NO.	Description
ARCHMI-807ARH	7" WVGA fanless HMI barebone with Intel Pentium N4200 CPU, 4GB DDR3L RAM, Resistive touch screen, 9~36VDC input with adapter, Aluminum chassis, 1,000 nits LCD
ARCHMI-807APH	7" WVGA fanless HMI barebone with Intel Pentium N4200 CPU, 4GB DDR3L RAM, Projected Capacitive touch, 9~36VDC input with adapter, Aluminum chassis, 1,000 nits LCD
ARCHMI-808ARH	8" SVGA fanless HMI barebone with Intel Pentium N4200 CPU, 4GB DDR3L RAM, Resistive touch screen, 9~36VDC input with adapter, Aluminum chassis, 1,000 nits LCD
ARCHMI-808APH	8" SVGA fanless HMI barebone with Intel Pentium N4200 CPU, 4GB DDR3L RAM, Projected Capacitive touch, 9~36VDC input with adapter, Aluminum chassis, 1,000 nits LCD
ARCHMI-810ARH	10.1" WXGA fanless HMI barebone with Intel Pentium N4200 CPU, 4GB DDR3L RAM, Resistive touch screen, 9~36VDC input with adapter, Aluminum chassis, 1,000 nits LCD
ARCHMI-810APH	10.1" WXGA fanless HMI barebone with Intel Pentium N4200 CPU, 4GB DDR3L RAM, Projected Capacitive touch, 9~36VDC input with adapter, Aluminum chassis, 1,000 nits LCD
ARCHMI-812ARH	12.1" SVGA fanless HMI barebone with Intel Pentium N4200 CPU, 4GB DDR3L RAM, Resistive touch screen, 9~36VDC input with adapter, Aluminum chassis, 1,000 nits LCD
ARCHMI-812APH	12.1" SVGA fanless HMI barebone with Intel Pentium N4200 CPU, 4GB DDR3L RAM, Projected Capacitive touch, 9~36VDC input with adapter, Aluminum chassis, 1,000 nits LCD
ARCHMI-815ARH	15" XGA fanless HMI barebone with Intel Pentium N4200 CPU, 4GB DDR3L RAM, Resistive touch screen, 9~36VDC input with adapter, Aluminum chassis, 1,000 nits LCD
ARCHMI-815APH	15" XGA fanless HMI barebone with Intel Pentium N4200 CPU, 4GB DDR3L RAM, Projected Capacitive touch, 9~36VDC input with adapter, Aluminum chassis, 1,000 nits LCD
ARCHMI-816ARH	15.6" WXGA fanless HMI barebone with Intel Pentium N4200 CPU, 4GB DDR3L RAM, Resistive touch screen, 9~36VDC input with adapter, Aluminum chassis, 1,000 nits LCD
ARCHMI-816APH	15.6" WXGA fanless HMI barebone with Intel Pentium N4200 CPU, 4GB DDR3L RAM, Projected Capacitive touch, 9~36VDC input with adapter, Aluminum chassis, 1,000 nits LCD
ARCHMI-817ARH	17" SXGA fanless HMI barebone with Intel Pentium N4200 CPU, 4GB DDR3L RAM, Resistive touch screen, 9~36VDC input with adapter, Aluminum chassis, 1,000 nits LCD
ARCHMI-817APH	17" SXGA fanless HMI barebone with Intel Pentium N4200 CPU, 4GB DDR3L RAM, Projected Capacitive touch, 9~36VDC input with adapter, Aluminum chassis, 1,000 nits LCD
ARCHMI-818ARH	18.5" WXGA fanless HMI barebone with Intel Pentium N4200 CPU, 4GB DDR3L RAM, Resistive touch screen, 9~36VDC input with adapter, Aluminum chassis, 1,000 nits LCD
ARCHMI-818APH	18.5" WXGA fanless HMI barebone with Intel Pentium N4200 CPU, 4GB DDR3L RAM, Projected Capacitive touch, 9~36VDC input with adapter, Aluminum chassis, 1,000 nits LCD
ARCHMI-819ARH	19" SXGA fanless HMI barebone with Intel Pentium N4200 CPU, 4GB DDR3L RAM, Resistive touch screen, 9~36VDC input with adapter, Aluminum chassis, 1,000 nits LCD
ARCHMI-819APH	19" SXGA fanless HMI barebone with Intel Pentium N4200 CPU, 4GB DDR3L RAM, Projected Capacitive touch, 9~36VDC input with adapter, Aluminum chassis, 1,000 nits LCD
ARCHMI-821ARH	21.5" FHD fanless HMI barebone with Intel Pentium N4200 CPU, 4GB DDR3L RAM, Resistive touch screen, 9~36VDC input with adapter, Aluminum chassis, 1,000 nits LCD
ARCHMI-821APH	21.5" FHD fanless HMI barebone with Intel Pentium N4200 CPU, 4GB DDR3L RAM, Projected Capacitive touch, 9~36VDC input with adapter, Aluminum chassis, 1,000 nits LCD



ARCHMI-8XX Series

Fanless Industrial Compact Size
High Brightness HMI

Innovating Fast, Baytrail Solution

- Intel Baytrail N2930/E3845 Processor
- Onboard 4GB DDR3L/8GB(option)
- Aluminum Die-Casting Chassis
- Fanless Design
- Easily Accessible Storage Design
- Flat Front Panel Design Meets IP66
- High brightness 1,000 nits



Intel Baytrail Atom E3845
Celeron N2930 processor



Onboard 4GB DDR3L
1600MHz/8GB(option)



Flat Front Panel Design
Meets IP66 Standard



Aluminum Die-Casting
Chassis and Fanless
Design



Easily Accessible
Storage Design





Model Name	ARCHMI-807(P) ARCHMI-807(P)H		ARCHMI-808(P) ARCHMI-808(P)H		ARCHMI-810(P) ARCHMI-810(P)H		ARCHMI-812(P) ARCHMI-812(P)H			
System										
Processor	Intel Celeron N2930 Processor(2M Cache,1.83GHz) / Intel Atom E3845 Processor(2M Cache,1.91GHz) for option									
System Chipset	SoC									
System Memory	Onboard 4GB DDR3L SDRAM , up to 8GB(option)									
External I/O										
USB	2 x USB 3.0 type A									
Serial/Parallel	1 x RS-232/422/485 DB9(COM1) , default RS-232 1 x RS-232 DB9(COM2)									
LAN	2 x GbE RJ-45									
Audio	1 x Line-out									
Power connector	1 x 3-pin terminal block connector 1 x 2-pin Power Switch connector									
Storage Space										
HDD	1 x 2.5" SATA3 HDD/SSD space									
Movable device	1 x SD card slot, up to 32GB									
Expansion										
Onboard expansion bus	1 x mini-PCIe slot(full size)									
Display										
	ARCHMI-807(P)	ARCHMI-807(P)H	ARCHMI-808(P)	ARCHMI-808(P)H	ARCHMI-810(P)	ARCHMI-810(P)H	ARCHMI-812(P)	ARCHMI-812(P)		ARCHMI-812(P)H
Display type	7" TFT-LCD	7" TFT-LCD	8" TFT-LCD	8" TFT-LCD	10.1" TFT-LCD	10.1" TFT-LCD	12.1" TFT-LCD	12.1" TFT-LCD	12.1" TFT-LCD	12.1" TFT-LCD
Max. resolution	800 x 480	800 x 480	800 x 600	800 x 600	1280 x 800	1280 x 800	800 x 600	1024x768	800 x 600	1024x768
Max. color	262K	262K	16.2M	16.2M	16.7M	16.7M	262K	16.2M	16.2M	262K
Luminance(cd/m ²)	350	1000	350	1000	350	1000	450	500	1000	1000
View angle(H°/V°)	120/140	140/130	140/120	170/160	170/170	170/170	160/150	160/140	178/178	160/140
Backlight lifetime(hrs)	50000	50000	40000	50000	25000	50000	50000	30000	50000	50000
Touch Screen										
Type	Resistive Touch Projected Capacitive(For P model)									
Interface	USB									
Light transmission(%)	Resistive Touch : 80% Projected Capacitive : 90%									
Power										
Power input	DC 9~36V									
Power Consumption (TYP.)	ARCHMI-807P: 14W		ARCHMI-808P: 14W		ARCHMI-810P: 14W		ARCHMI-812P: 15W			
Mechanical										
Construction	Aluminum die-casting Chassis									
IP rating	IP66 Compliant Front Bezel									
Mounting	Panel Mount , VESA 75 x 75					Panel Mount , VESA 100 x 100				
Dimension(mm)	202 x 149 x 40		231 x 176.1 x 50		285 x 189 x 48.9		319 x 245 x 51.7			
Net weight(Kg)	1.2		1.9		1.7		3.1			
Environment										
Operating temperature(°C)	0~50/-20~60(option)									
Storage temperature(°C)	-30~70									
Humidity	10 to 95% @ 40°C, non- condensing									
Certification	CE/FCC Class A									
Operating System Support										
Windows Embedded 7 Windows Embedded 8.1 Windows 10 IoT ENT LTSC										

ARCHMI-8XX Series

Innovating Fast, Baytrail Solution



Model Name	ARCHMI-815(P) ARCHMI-815(P)H		ARCHMI-816(P) ARCHMI-816(P)H		ARCHMI-817(P) ARCHMI-817(P)H	
System						
Processor	Intel Celeron N2930 Processor(2M Cache,1.83GHz) / Intel Atom E3845 Processor(2M Cache,1.91GHz) for option					
System Chipset	SoC					
System Memory	Onboard 4GB DDR3L SDRAM , up to 8GB(option)					
External I/O						
USB	2 x USB 3.0 type A					
Serial/Parallel	1 x RS-232/422/485 DB9(COM1) , default RS-232 1 x RS-232 DB9(COM2)					
LAN	2 x GbE RJ-45					
Audio	1 x Line-out					
Power connector	1 x 3-pin terminal block connector 1 x 2-pin Power Switch connector					
Storage Space						
HDD	1 x 2.5" SATA3 HDD/SSD space					
Movable device	1 x SD card slot, up to 32GB					
Expansion						
Onboard expansion bus	1 x mini-PCIe slot(full size)					
Display	ARCHMI-815(P)	ARCHMI-815(P)H	ARCHMI-816(P)	ARCHMI-816(P)H	ARCHMI-817(P)	ARCHMI-817(P)H
Display type	15" TFT-LCD	15" TFT-LCD	15.6" TFT-LCD	15.6" TFT-LCD	17" TFT-LCD	17" TFT-LCD
Max. resolution	1024 x 768	1024 x 768	1366 x 768	1366 x 768	1280 x 1024	1280 x 1024
Max. color	16.2M	16.7M	16.7M	16.7M	16.2M	16.7M
Luminance(cd/m ²)	300	1000	300	1000	350	1000
View angle(H°/V°)	176/176	160/150	160/160	160/160	170/160	170/160
Backlight lifetime(hrs)	70000	50000	50000	50000	30000	50000
Touch Screen						
Type	Resistive Touch Projected Capacitive(For P model)					
Interface	USB					
Light transmission(%)	Resistive Touch : 80% Projected Capacitive : 90%					
Power						
Power input	DC 9~36V					
Power Consumption (TYP.)	ARCHMI-815P:15W		ARCHMI-816P: 20W		ARCHMI-817P: 21W	
Mechanical						
Construction	Aluminum die-casting Chassis					
IP rating	IP66 Compliant Front Bezel					
Mounting	Panel Mount, VESA 100 x 100					
Dimension(mm)	410 x 310 x 54.7		412 x 277.5 x 60.4		439 x 348 x 64.8	
Net weight(Kg)	3.1		4.9		6.2	
Environment						
Operating temperature(°C)	0~50/-20~60(option)		0~50			
Storage temperature(°C)	-30~70					
Humidity	10 to 95% @ 40°C, non- condensing					
Certification	CE/FCC Class A, CB, UL					
Operating System Support						
Windows Embedded 7 Windows Embedded 8.1 Windows 10 IoT ENT LTSC						

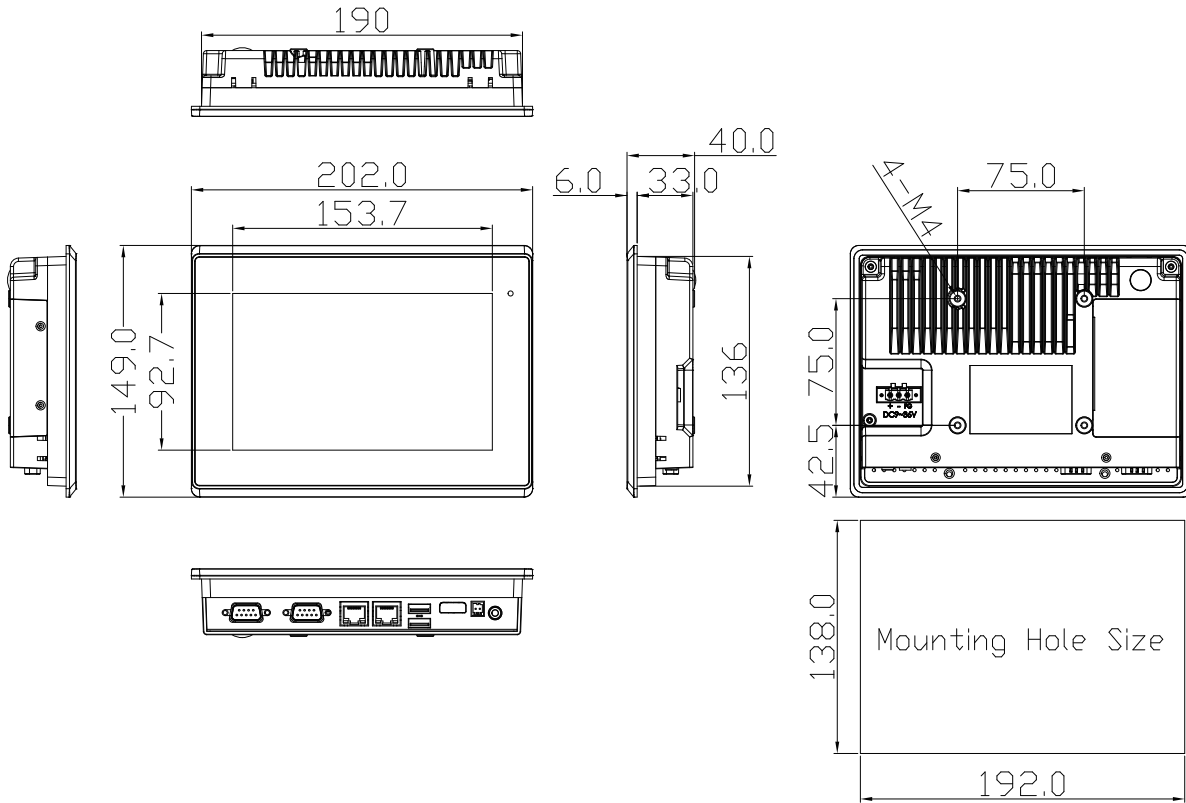


Model Name	ARCHMI-818(P) ARCHMI-818(P)H		ARCHMI-819(P) ARCHMI-819(P)H		ARCHMI-821(P) ARCHMI-821(P)H	
System						
Processor	Intel Celeron N2930 Processor(2M Cache,1.83GHz) / Intel Atom E3845 Processor(2M Cache,1.91GHz) for option					
System Chipset	SoC					
System Memory	Onboard 4GB DDR3L SDRAM , up to 8GB(option)					
External I/O						
USB	2 x USB 3.0 type A					
Serial/Parallel	1 x RS-232/422/485 DB9(COM1) , default RS-232 1 x RS-232 DB9(COM2)					
LAN	2 x GbE RJ-45					
Audio	1 x Line-out					
Power connector	1 x 3-pin terminal block connector 1 x 2-pin Power Switch connector					
Storage Space						
HDD	1 x 2.5" SATA3 HDD/SSD space					
Movable device	1 x SD card slot, up to 32GB					
Expansion						
Onboard expansion bus	1 x mini-PCIe slot(full size)					
Display						
Display type	ARCHMI-818(P) 18.5" TFT-LCD	ARCHMI-818(P)H 18.5" TFT-LCD	ARCHMI-819(P) 19" TFT-LCD	ARCHMI-819(P)H 19" TFT-LCD	ARCHMI-821(P) 21.5" TFT-LCD	ARCHMI-821(P)H 21.5" TFT-LCD
Max. resolution	1366 x 768	1366 x 768	1280 x 1024	1280 x 1024	1920 x 1080	1920 x 1080
Max. color	16.7M	16.7M	16.7M	16.7M	16.7M	16.7M
Luminance(cd/m ²)	300	1000	350	1000	250	1000
View angle(H°/V°)	170/160	170/160	170/160	170/160	178/178	178/178
Backlight lifetime(hrs)	50000	50000	50000	50000	30000	50000
Touch Screen						
Type	Resistive Touch Projected Capacitive(For P model)					
Interface	USB					
Light transmission(%)	Resistive Touch : 80% Projected Capacitive : 90%					
Power						
Power input	DC 9~36V					
Power Consumption (TYP.)	ARCHMI-818P: 29W		ARCHMI-819P: 30W		ARCHMI-821P: 27W	
Mechanical						
Construction	Aluminum die-casting Chassis					
IP rating	IP66 Compliant Front Bezel					
Mounting	Panel Mount , VESA 100 x 100					
Dimension(mm)	ARCHMI-818(P) 499.6 x 314.6 x 59.9 ARCHMI-818(P)H 499.6 x 314.6 x 72		468 x 380 x 64.8		557 x 362 x 64.8	
Net weight(Kg)	6.0		6.0		7.5	
Environment						
Operating temperature(°C)	0~50 (0~40 only for ARCHMI-821H and ARCHMI-821PH- 21.5" high brightness model)					
Storage temperature(°C)	-30~70					
Humidity	10 to 95% @ 40°C, non- condensing					
Certification	CE/FCC Class A, CB, UL					
Operating System Support						
Windows Embedded 7 Windows Embedded 8.1 Windows 10 IoT ENT LTSC						

ARCHMI-8XX Series

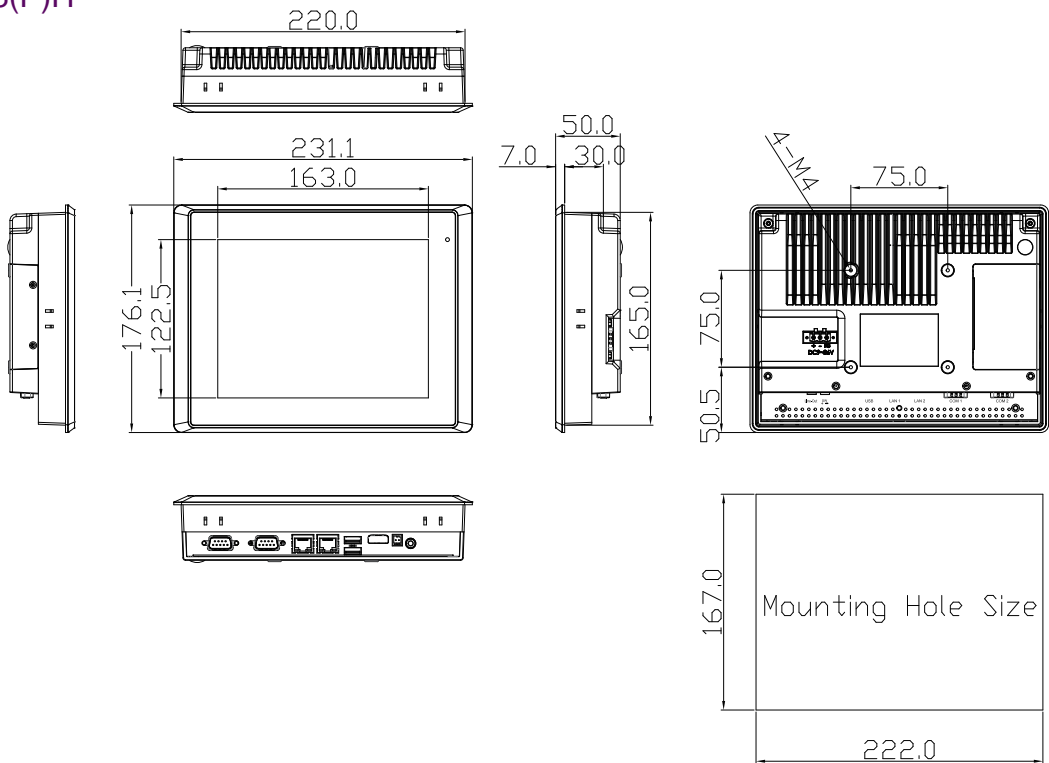
Innovating Fast, Baytrail Solution

ARCHMI-807(P) ARCHMI-807(P)H



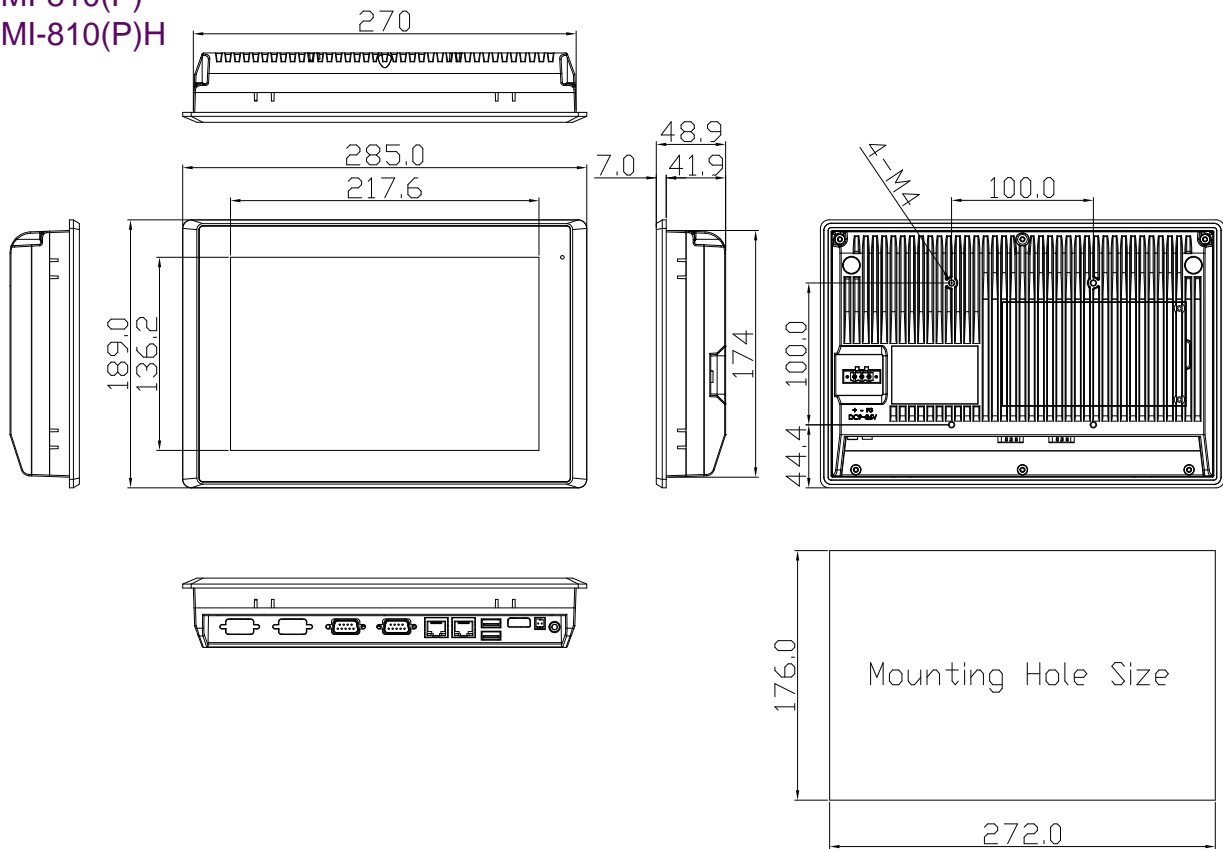
unit:mm

ARCHMI-808(P) ARCHMI-808(P)H



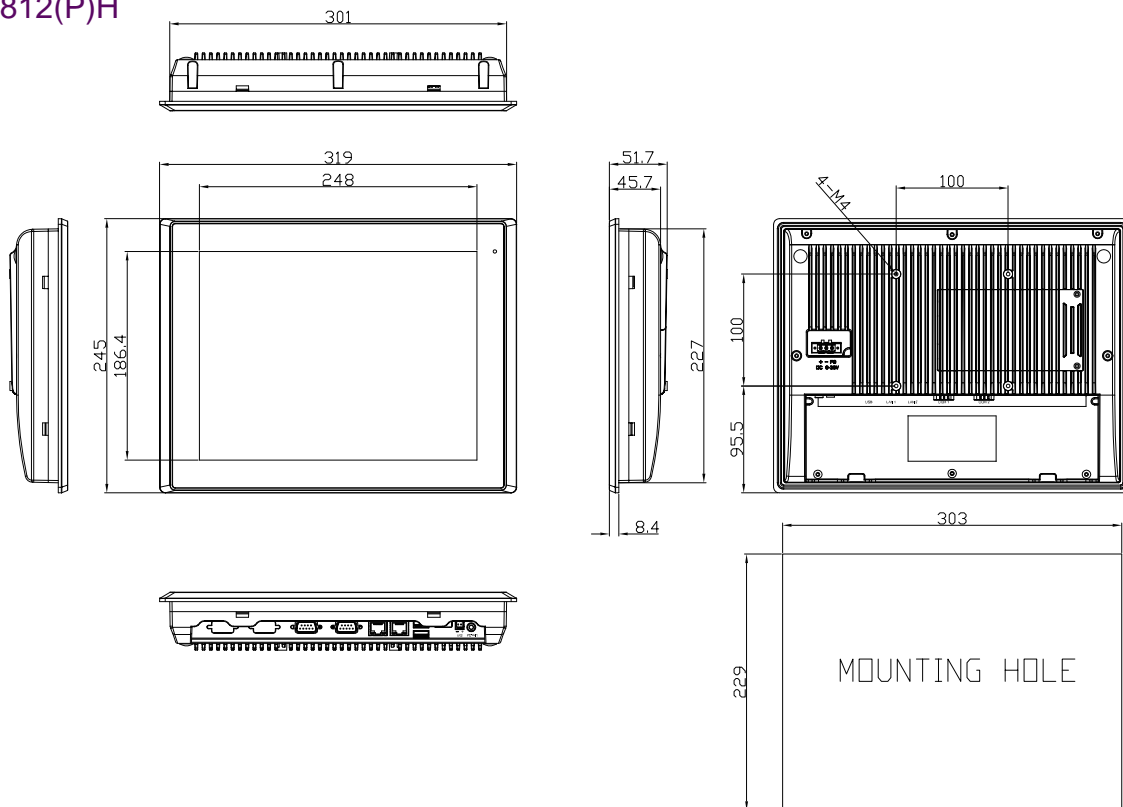
unit:mm

ARCHMI-810(P) ARCHMI-810(P)H



unit:mm

ARCHMI-812(P) ARCHMI-812(P)H

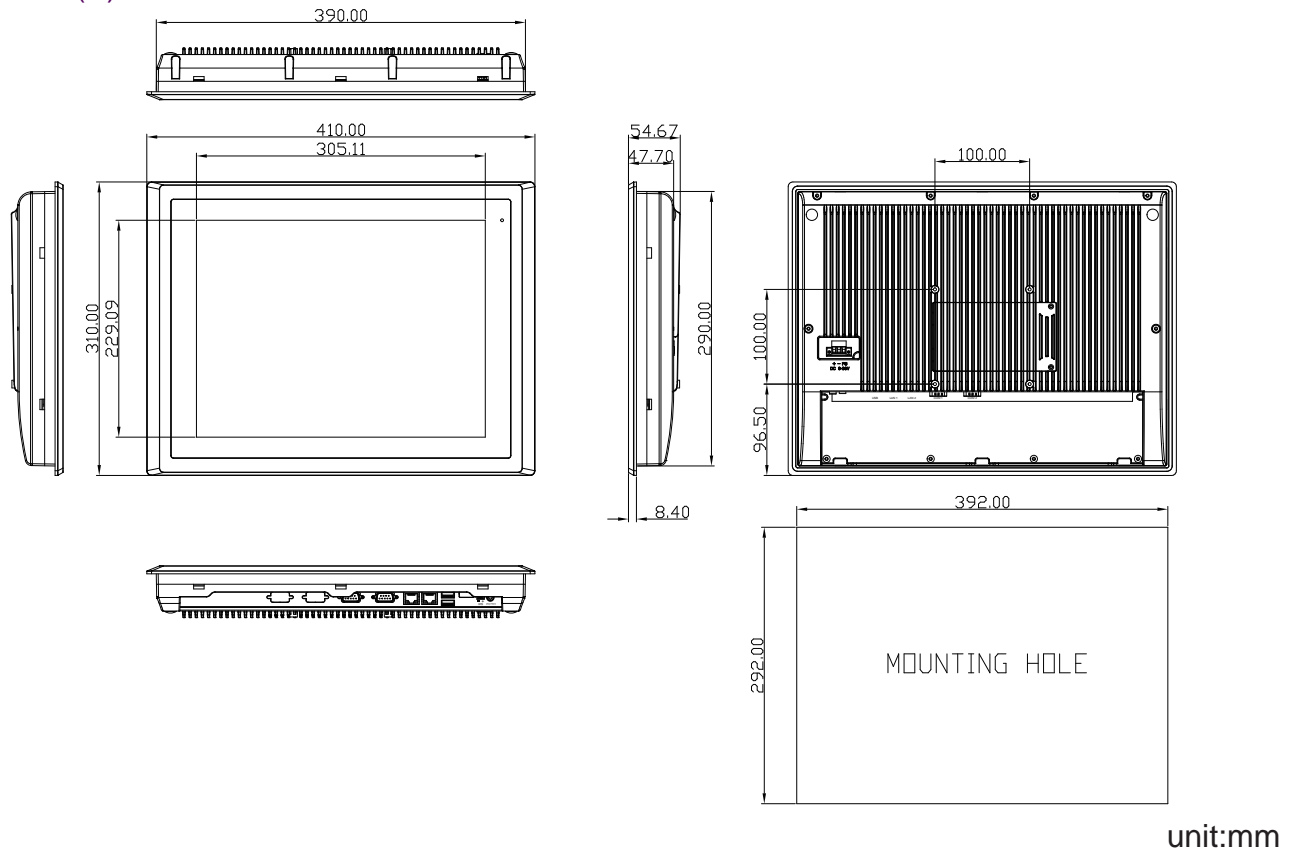


unit:mm

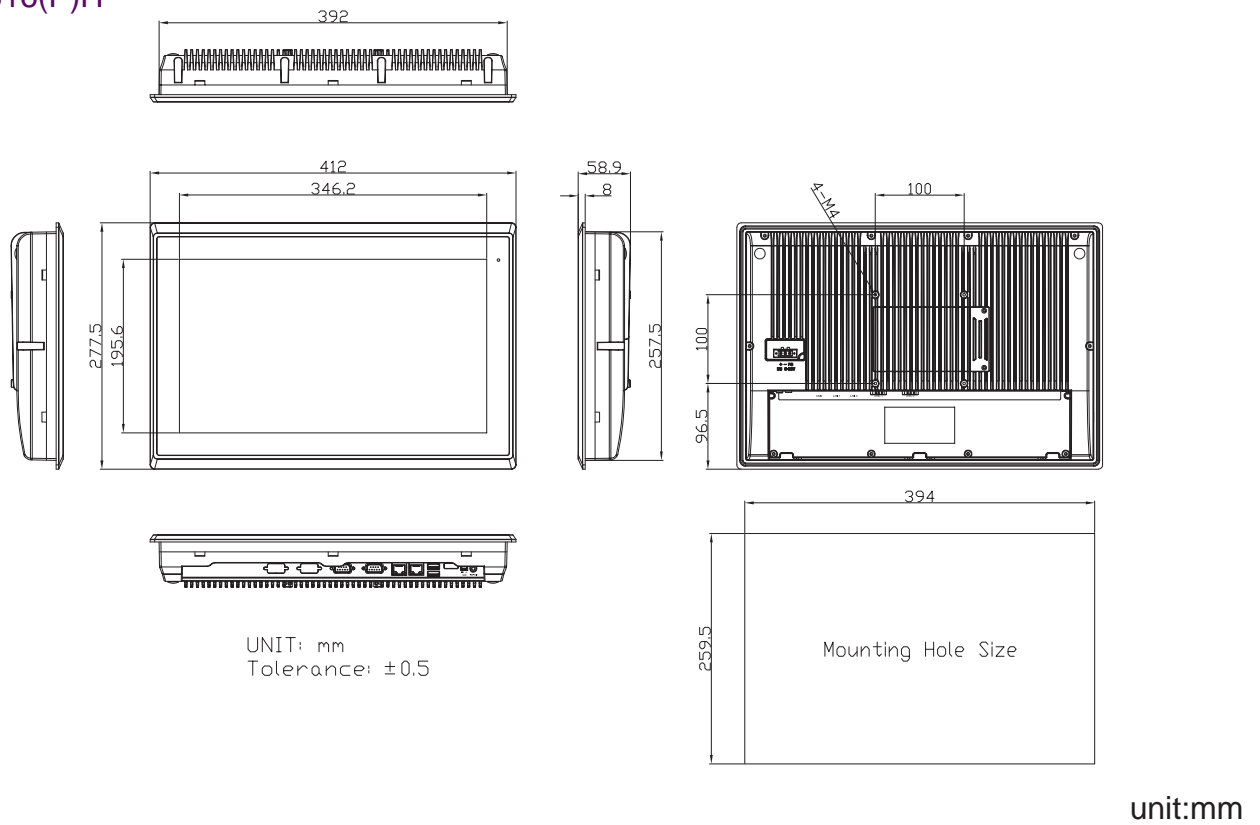
ARCHMI-8XX Series

Innovating Fast, Baytrail Solution

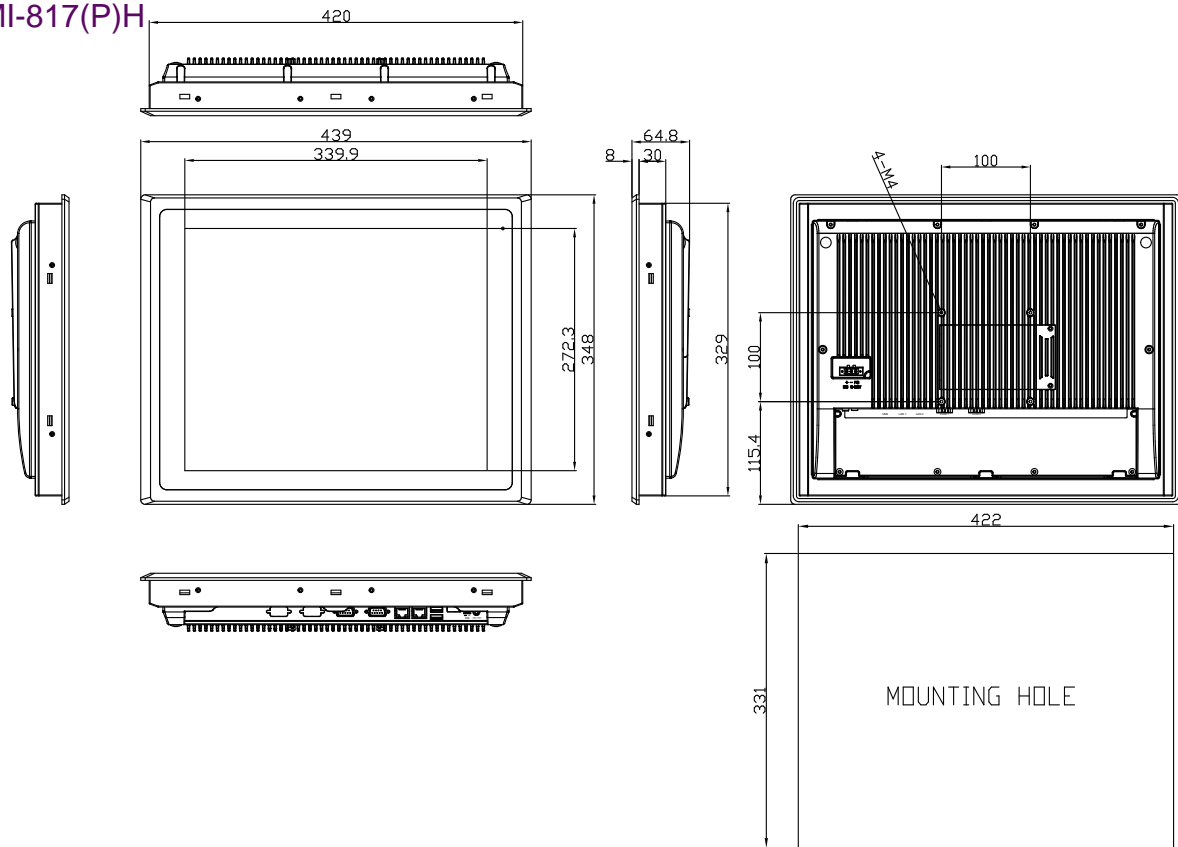
ARCHMI-815(P) ARCHMI-815(P)H



ARCHMI-816(P) ARCHMI-816(P)H



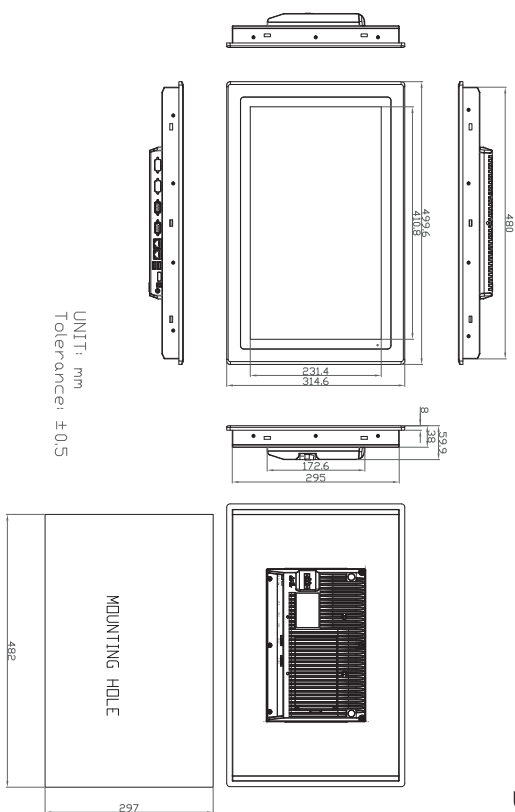
ARCHMI-817(P) ARCHMI-817(P)H



unit:mm

ARCHMI-818(P)

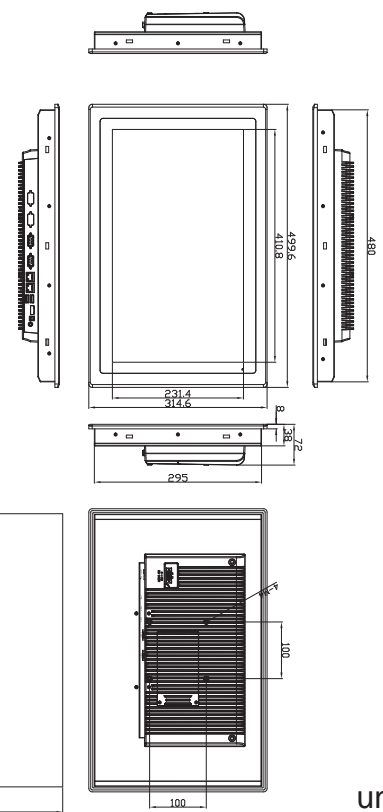
ARCHMI-818(P)H



UNIT: mm
Tolerance: ±0.5

unit:mm

UNIT: mm
Tolerance: ±0.5

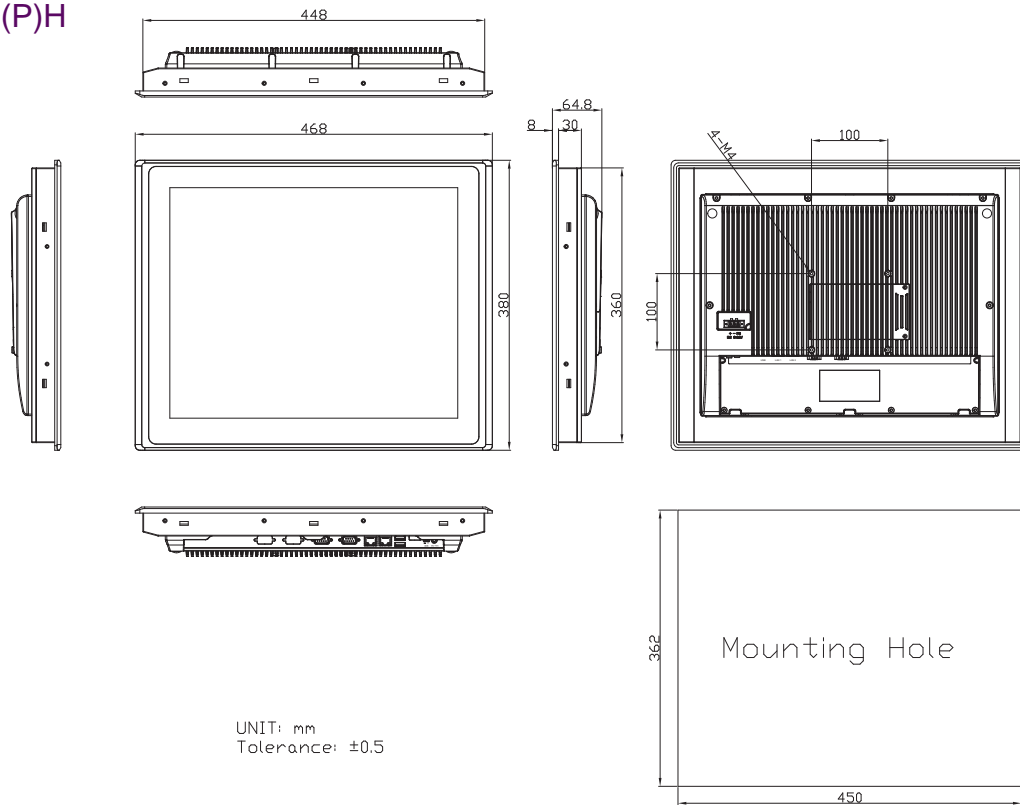


unit:mm

ARCHMI-8XX Series

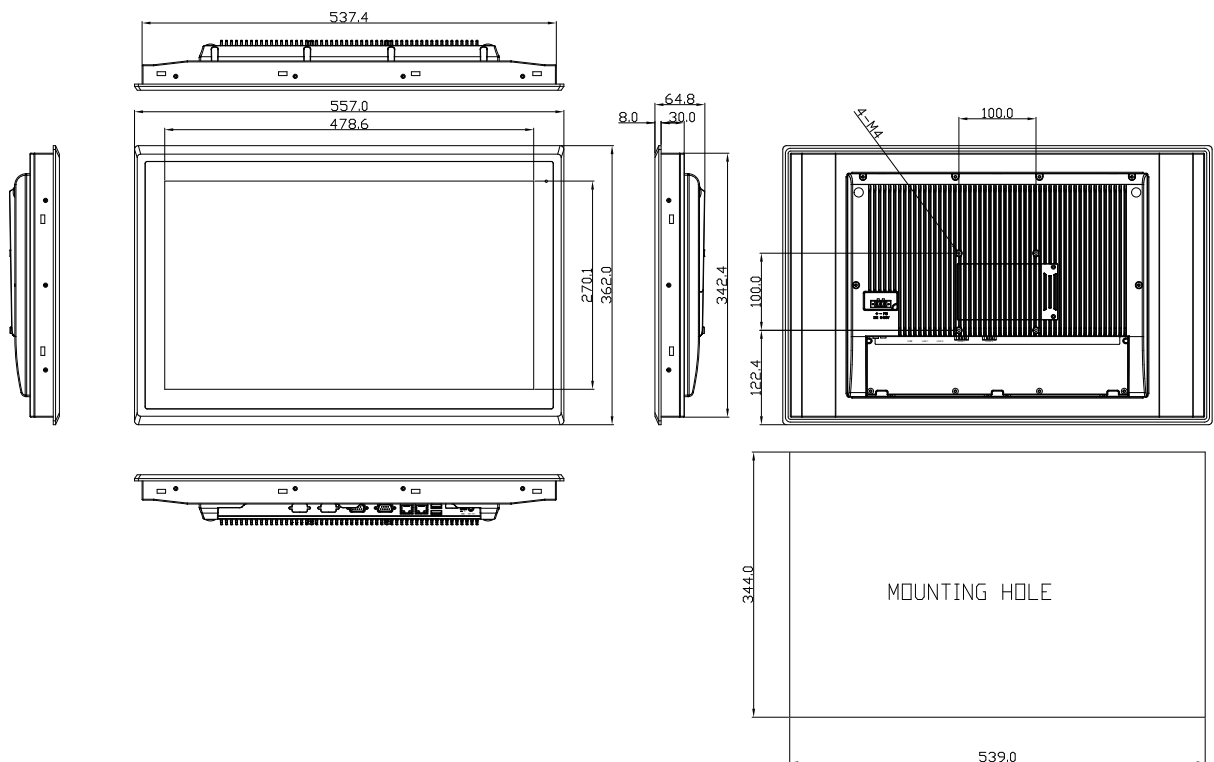
Innovating Fast, Baytrail Solution

ARCHMI-819(P) ARCHMI-819(P)H



unit:mm

ARCHMI-821(P) ARCHMI-821(P)H



unit:mm

Ordering information

Model NO.	Description
ARCHMI-807	7" WVGA Fanless HMI barebone with Intel N2930 1.83G CPU, 2GB DDR3L RAM, Resistive touch screen, 9~36VDC input with adapter, Aluminum chassis
ARCHMI-807P	7" WVGA Fanless HMI barebone with Intel N2930 1.83G CPU, 2GB DDR3L RAM, Projected Capacitive touch screen, 9~36VDC input with adapter, Aluminum chassis
ARCHMI-808	8" SVGA Fanless HMI barebone with Intel N2930 1.83G CPU, 2GB DDR3L RAM, Resistive touch screen, 9~36VDC input with adapter, Aluminum chassis
ARCHMI-808P	8" SVGA Fanless HMI barebone with Intel N2930 1.83G CPU, 2GB DDR3L RAM, Projected Capacitive touch screen, 9~36VDC input with adapter, Aluminum chassis
ARCHMI-810	10.1" WXGA fanless HMI barebone with Celeron N2930 1.83G CPU, 2GB DDR3L RAM, Resistive touch screen, 9~36VDC input with adapter, Aluminum chassis
ARCHMI-810P	10.1" WXGA fanless HMI barebone with Celeron N2930 1.83G CPU, 2GB DDR3L RAM, Projected Capacitive touch screen, 9~36VDC input with adapter, Aluminum chassis
ARCHMI-812	12.1" SVGA Fanless HMI barebone with Intel N2930 1.83G CPU, 2GB DDR3L RAM, Resistive touch screen, 9~36VDC input with adapter, Aluminum chassis
ARCHMI-812P	12.1" SVGA Fanless HMI barebone with Intel N2930 1.83G CPU, 2GB DDR3L RAM, Projected Capacitive touch screen, 9~36VDC input with adapter, Aluminum chassis
ARCHMI-815	15" XGA Fanless HMI barebone with Intel N2930 1.83G CPU, 2GB DDR3L RAM, Resistive touch screen, 9~36VDC input with adapter, Aluminum chassis
ARCHMI-815P	15" XGA Fanless HMI barebone with Intel N2930 1.83G CPU, 2GB DDR3L RAM, Projected Capacitive touch screen, 9~36VDC input with adapter, Aluminum chassis
ARCHMI-816	15.6" WXGA Fanless HMI barebone with Intel N2930 1.83G CPU, 2GB DDR3L RAM, Resistive touch screen, 9~36VDC input with adapter, Aluminum chassis
ARCHMI-816P	15.6" WXGA Fanless HMI barebone with Intel N2930 1.83G CPU, 2GB DDR3 RAM, Projected Capacitive touch screen, 9~36VDC input with adapter, Aluminum chassis
ARCHMI-817	17" SXGA Fanless HMI barebone with Intel N2930 1.83G CPU, 2GB DDR3L RAM, Resistive touch screen, 9~36VDC input with adapter, Aluminum chassis
ARCHMI-817P	17" SXGA Fanless HMI barebone with Intel N2930 1.83G CPU, 2GB DDR3L RAM, Projected Capacitive touch screen, 9~36VDC input with adapter, Aluminum chassis
ARCHMI-818	18.5" WXGA Fanless HMI barebone with Intel N2930 1.83G CPU, 2GB DDR3L RAM, Resistive touch screen, 9~36VDC input with adapter, Aluminum chassis
ARCHMI-818P	18.5" WXGA Fanless HMI barebone with Intel N2930 1.83G CPU, 2GB DDR3L RAM, Projected Capacitive touch screen, 9~36VDC input with adapter, Aluminum chassis
ARCHMI-819	19" SXGA Fanless HMI barebone with Intel N2930 1.83G CPU, 2GB DDR3L RAM, Resistive touch screen, 9~36VDC input with adapter, Aluminum chassis
ARCHMI-819P	19" SXGA Fanless HMI barebone with Intel N2930 1.83G CPU, 2GB DDR3L RAM, Projected Capacitive touch screen, 9~36VDC input with adapter, Aluminum chassis
ARCHMI-821	21.5" FHD Fanless HMI barebone with Intel N2930 1.83G CPU, 2GB DDR3L RAM, Resistive touch screen, 9~36VDC input with adapter, Aluminum chassis
ARCHMI-821P	21.5" FHD Fanless HMI barebone with Intel N2930 1.83G CPU, 2GB DDR3L RAM, Projected Capacitive touch screen, 9~36VDC input with adapter, Aluminum chassis

Ordering information

Model NO.	Description
ARCHMI-807H	7" WVGA fanless HMI barebone with Celeron N2930(1.83.GHz) CPU, 4GB DDR3L RAM, Resistive touch screen, 9~36VDC input with adapter, Aluminum chassis, 1,000 nits LCD
ARCHMI-807PH	7" WVGA fanless HMI barebone with Celeron N2930(1.83.GHz) CPU, 4GB DDR3L RAM, Projected Capacitive touch, 9~36VDC input with adapter, Aluminum chassis, 1,000 nits LCD
ARCHMI-808H	8" SVGA fanless HMI barebone with Celeron N2930(1.83.GHz) CPU, 4GB DDR3L RAM, Resistive touch screen, 9~36VDC input with adapter, Aluminum chassis, 1,000 nits LCD
ARCHMI-808PH	8" SVGA fanless HMI barebone with Celeron N2930(1.83.GHz) CPU, 4GB DDR3L RAM, Projected Capacitive touch, 9~36VDC input with adapter, Aluminum chassis, 1,000 nits LCD
ARCHMI-810H	10.1" WXGA fanless HMI barebone with Celeron N2930(1.83.GHz) CPU, 4GB DDR3L RAM, Resistive touch screen, 9~36VDC input with adapter, Aluminum chassis, 1,000 nits LCD
ARCHMI-810PH	10.1" WXGA fanless HMI barebone with Celeron N2930(1.83.GHz) CPU, 4GB DDR3L RAM, Projected Capacitive touch,, 9~36VDC input with adapter, Aluminum chassis, 1,000 nits LCD
ARCHMI-812H	12.1" SVGA fanless HMI barebone with Celeron N2930(1.83.GHz) CPU, 4GB DDR3L RAM, Resistive touch screen, 9~36VDC input with adapter, Aluminum chassis, 1,000 nits LCD
ARCHMI-812PH	12.1" SVGA fanless HMI barebone with Celeron N2930(1.83.GHz) CPU, 4GB DDR3L RAM, Projected Capacitive touch, 9~36VDC input with adapter, Aluminum chassis, 1,000 nits LCD
ARCHMI-815H	15" XGA fanless HMI barebone with Celeron N2930(1.83.GHz) CPU, 4GB DDR3L RAM, Resistive touch screen, 9~36VDC input with adapter, Aluminum chassis, 1,000 nits LCD
ARCHMI-815PH	15" XGA fanless HMI barebone with Celeron N2930(1.83.GHz) CPU, 4GB DDR3L RAM, Projected Capacitive touch,, 9~36VDC input with adapter, Aluminum chassis, 1,000 nits LCD
ARCHMI-816H	15.6" WXGA fanless HMI barebone with Celeron N2930(1.83.GHz) CPU, 4GB DDR3L RAM, Resistive touch screen, 9~36VDC input with adapter, Aluminum chassis, 1,000 nits LCD
ARCHMI-816PH	15.6" WXGA fanless HMI barebone with Celeron N2930(1.83.GHz) CPU, 4GB DDR3L RAM, Projected Capacitive touch,, 9~36VDC input with adapter, Aluminum chassis, 1,000 nits LCD
ARCHMI-817H	17" SXGA fanless HMI barebone with Celeron N2930(1.83.GHz) CPU, 4GB DDR3L RAM, Resistive touch screen, 9~36VDC input with adapter, Aluminum chassis, 1,000 nits LCD
ARCHMI-817PH	17" SXGA fanless HMI barebone with Celeron N2930(1.83.GHz) CPU, 4GB DDR3L RAM, Projected Capacitive touch, 9~36VDC input with adapter, Aluminum chassis, 1,000 nits LCD
ARCHMI-818H	18.5" WXGA fanless HMI barebone with Intel Celeron N2930(1.83.GHz) CPU, 4GB DDR3L RAM, Resistive touch screen, 9~36VDC input with adapter, Aluminum chassis, 1,000 nits LCD
ARCHMI-818PH	18.5" WXGA fanless HMI barebone with Intel Celeron N2930(1.83.GHz) CPU, 4GB DDR3L RAM, Projected Capacitive touch, 9~36VDC input with adapter, Aluminum chassis, 1,000 nits LCD
ARCHMI-819H	19" SXGA fanless HMI barebone with Intel Celeron N2930(1.83.GHz) CPU, 4GB DDR3L RAM, Resistive touch screen, 9~36VDC input with adapter, Aluminum chassis, 1,000 nits LCD
ARCHMI-819PH	19" SXGA fanless HMI barebone with Intel Celeron N2930(1.83.GHz) CPU, 4GB DDR3L RAM, Projected Capacitive touch,, 9~36VDC input with adapter, Aluminum chassis, 1,000 nits LCD
ARCHMI-821H	21.5" FHD fanless HMI barebone with Celeron N2930(1.83.GHz) CPU, 4GB DDR3L RAM, Resistive touch screen, 9~36VDC input with adapter, Aluminum chassis, 1,000 nits LCD
ARCHMI-821PH	21.5" FHD fanless HMI barebone with Celeron N2930(1.83.GHz) CPU, 4GB DDR3L RAM, Projected Capacitive touch,, 9~36VDC input with adapter, Aluminum chassis, 1,000 nits LCD



ARMPAC-6XX(P) Series

New Generation ARM Based HMI

High Performance ARM Based HMI

- i.MX6 DualLite, ARM Cortex A9 processor
- Fanless ARM Based HMI
- Onboard 1GB DDR3 DRAM
- Front IP65 Flat Front Panel Touch Screen
- Wide range DC 9~36V Input



i.MX6 DualLite ARM
Cortex A9 processor



Onboard 1GB DDR3
DRAM



Fanless ARM Based HMI



Flat Front Panel Touch
Screen



wide range
DC 9~36V input



ARMPAC-6XX(P) Series

New Generation ARM Based HMI



Specifications

Model Name	ARMPAC-607(P)	ARMPAC-608(P)	ARMPAC-610(P)	ARMPAC-612(P)	
System					
Processor	Freescale i.MX6 Dual Lite, ARM Cortex A9(2 x Cores, 1.0GHz)				
System Chipset	N/A				
System Memory	Onboard 1GB DDR3 SDRAM				
External I/O					
USB	2 x USB 2.0 type A				
Serial/Parallel	1 x RS-232/422/485 DB9 , default RS-232				
LAN	1 x GbE LAN RJ-45 (PoE for option)				
Audio	1 x Line-out				
Power connector	1 x 3-pin terminal block connector				
Storage Space					
NAND Flash	Onboard 4GB eMMC NAND Flash				
Movable device	1 x micro SD slot				
Expansion					
Onboard expansion bus	1 x mini-PCle slot(full size) 1 x Sim Card slot				
Display					
Display type	7" TFT-LCD	8" TFT-LCD	10.1" TFT-LCD	12.1" TFT-LCD	
Max. resolution	800 x 480	800 x 600	1024 x 600	800 x 600	1024 x 768
Max. color	262K	16.2M	262K/16.7M	16.2M	262K
Luminance(cd/m ²)	350	350	250	450	500
View angle(H°/V°)	140/120	140/125	140/120	178/178	160/140
Backlight lifetime(hrs)	40000	40000	15000	50000	30000
Touch Screen					
Type	Resistive Touch Projected Capacitive(For P model)				
Interface	SPI / USB(For P model)				
Light transmission(%)	Resistive Touch : 80% Projected Capacitive : 90%				
Power					
Power input	DC 9~36V				
Power Consumption (TYP.)	ARMPAC-607P: 5.3W	ARMPAC-608P: 7W	ARMPAC-610P: 7W	ARMPAC-612P: 10.8W	
Mechanical					
Construction	Plastic Front Bezel and Chassis				
IP rating	IP65 Compliant Front Bezel				
Mounting	Panel Mount, VESA 75 x 75		Panel Mount, VESA 100 x 100		
Dimension(mm)	204 x 150 x 42.5	231 x 176 x 45	285 x 189 x 49.6	319 x 245 x 51	
Net weight(Kg)	0.9	0.9	1.3	1.5	
Environment					
Operating temperature(°C)	0~50/-20~60 for option				
Storage temperature(°C)	-30~70				
Humidity	10 to 95% @ 40°C, non- condensing				
Certification	CE/FCC Class A/UL				
Operating System Support					
Android 6.0.1					
Linux 4.1.15					

ARMPAC-6XX(P) Series

New Generation ARM Based HMI



Model Name	ARMPAC-615(P)	ARMPAC-616(P)	ARMPAC-621(P)
System			
Processor	Freescale i.MX6 Dual Lite, ARM Cortex A9(2x Cores, 1.0GHz)		
System Chipset	NA		
System Memory	Onboard 1GB DDR3 SDRAM		
External I/O			
USB	2 x USB 2.0 type A		
Serial/Parallel	1 x RS-232/422/485 DB9 , default RS-232		
LAN	1 x GbE LAN RJ-45 (POE for option)		1 x GbE LAN RJ-45
Audio	1 x Line-out		
Power connector	1 x 3-pin terminal block connector		
Storage Space			
NAND Flash	Onboard 4GB eMMC NAND Flash		
Movable device	1 x micro SD slot		
Expansion			
Onboard expansion bus	1 x mini-PCIe slot(full size) 1 x Sim Card slot		
Display			
Display type	15" TFT-LCD	15.6" TFT-LCD	21.5" TFT-LCD
Max. resolution	1024 x 768	1366 x 768	1920 x 1080
Max. color	262K/16.2M	262K/16.7M	16.7M
Luminance(cd/m ²)	300	300	250
View angle(H°/V°)	176/176	160/160	178/178
Backlight lifetime(hrs)	70000	50000	30000
Touch Screen			
Type	Resistive Touch Projected Capacitive(For P model)		
Interface	SPI / USB(For P model)		
Light transmission(%)	Resistive Touch : 80% Projected Capacitive : 90%		
Power			
Power input	DC 9~36V		DC 12~36V
Power Consumption (TYP.)	ARMPAC-615P: 11.1W	ARMPAC-616P: 15.8W	ARMPAC-621P: 20.6W
Mechanical			
Construction	Aluminum die-casting Chassis		
IP rating	IP66 Compliant Front Bezel		
Mounting	Panel Mount, VESA 100 x 100		
Dimension(mm)	410 x 310 x 54.6	412 x 277.5 x 58.9	557 x 362 x 64.8
Net weight(Kg)	4.5	4.3	7.5
Environment			
Operating temperature(°C)	0~50/-20~60 for option		0~50
Storage temperature(°C)	-30~70		
Humidity	10 to 95% @ 40°C, non- condensing		
Certification	CE/FCC Class A/UL		
Operating System Support			
Android 6.0.1			
Linux 4.1.15			

Stainless Steel Panel PC

Industrial Panel PC

HMI

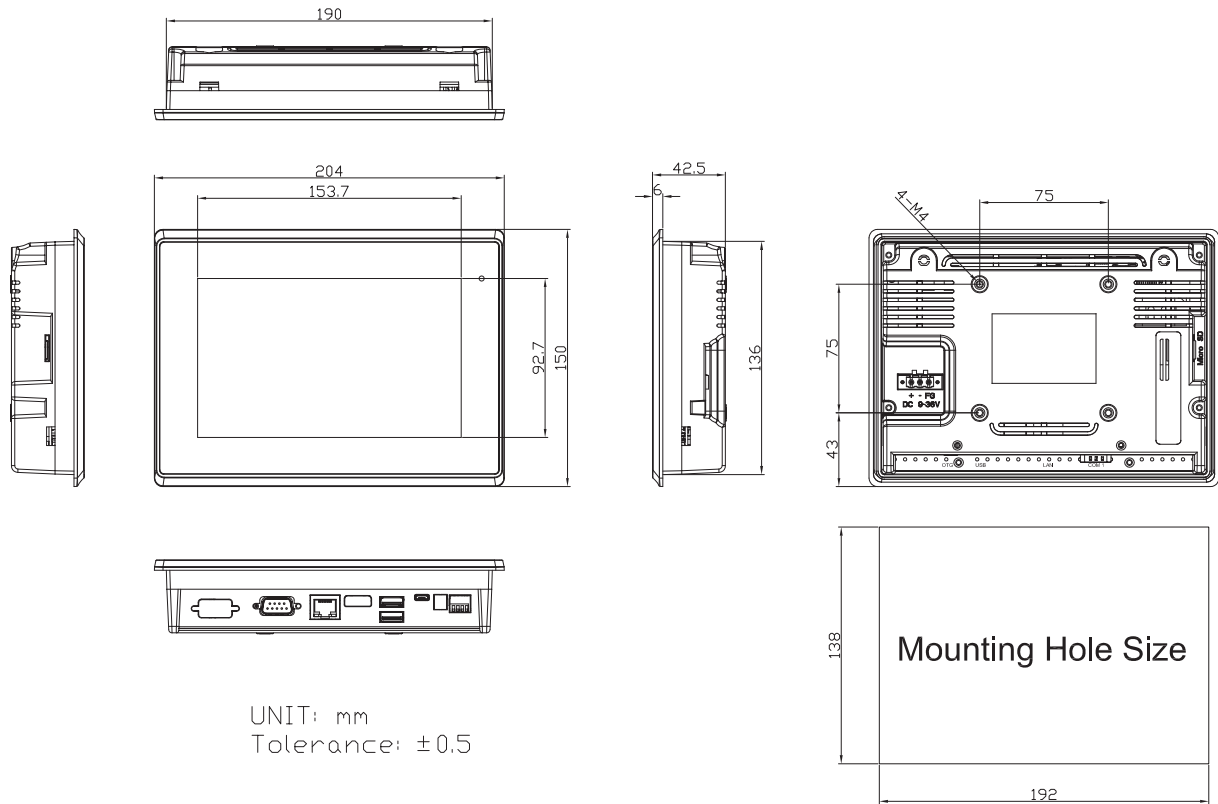
Embedded Box PC

Display

ARMPAC-6XX(P) Series

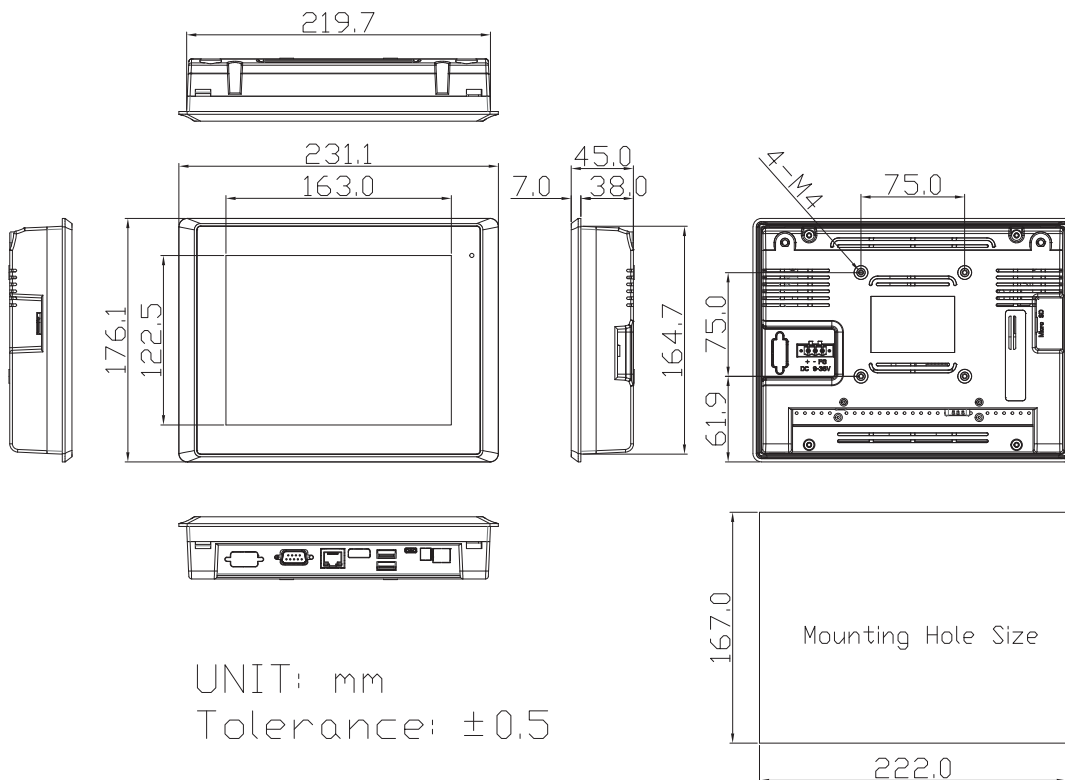
New Generation ARM Based HMI

ARMPAC-607(P)



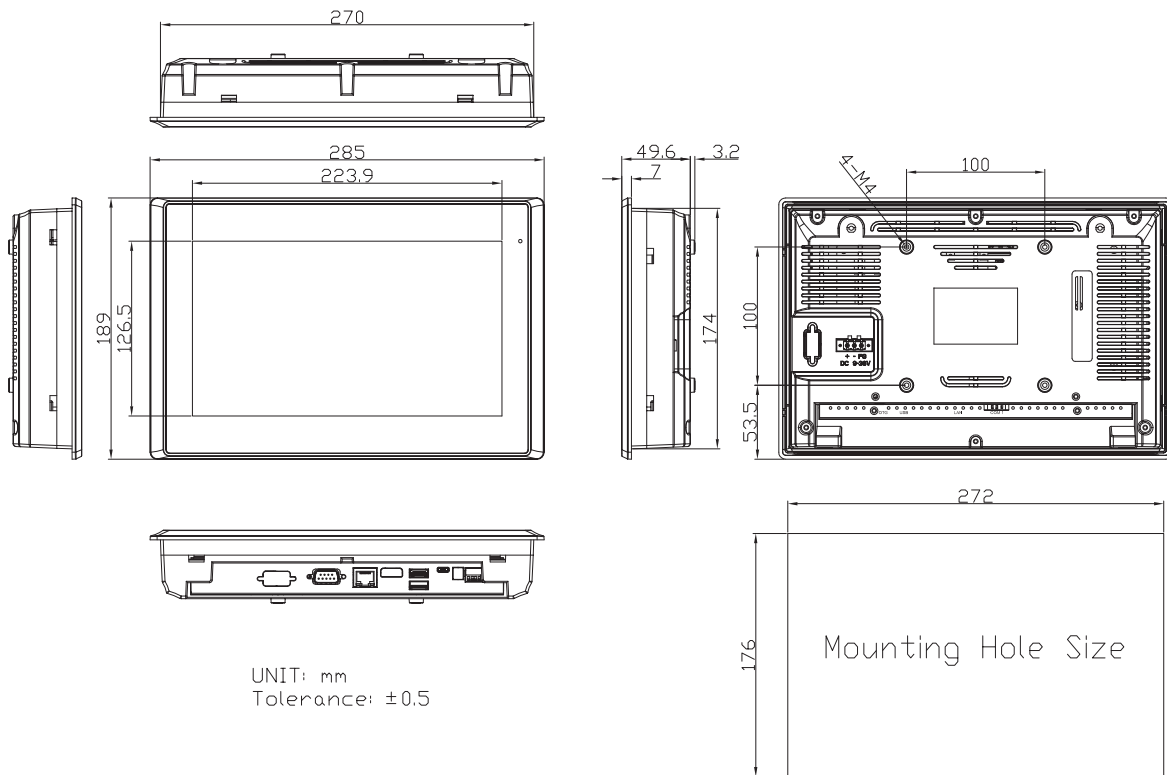
unit:mm

ARMPAC-608(P)



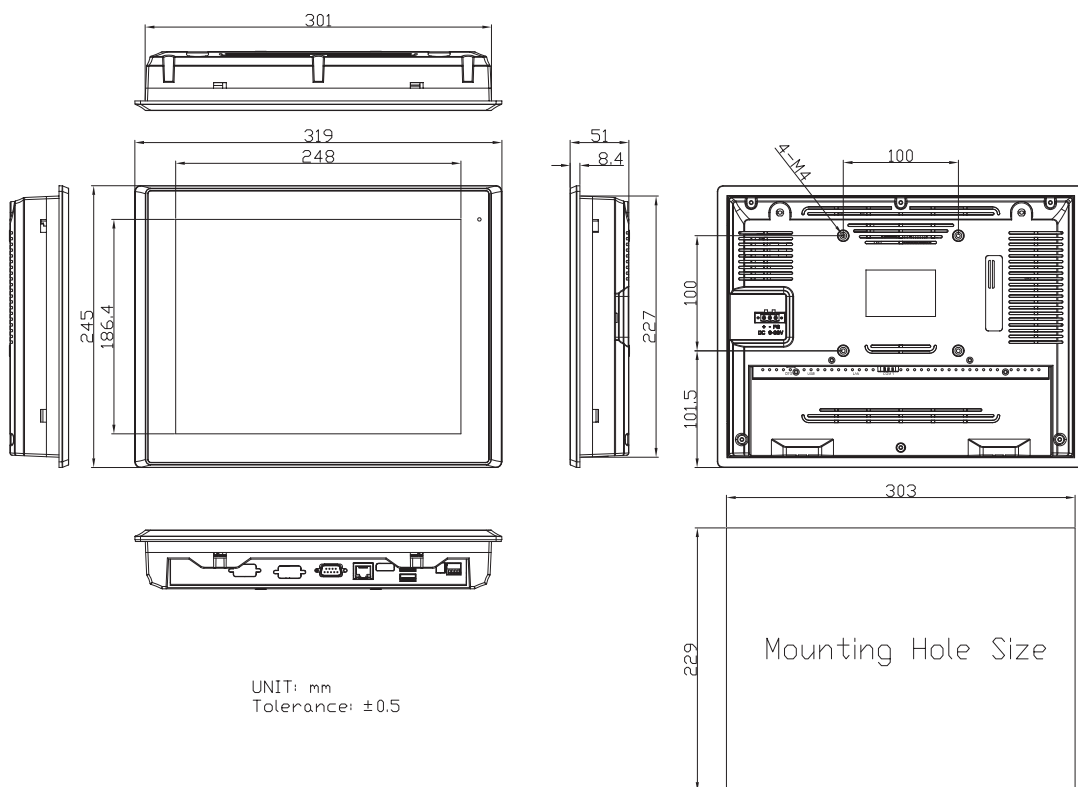
unit:mm

ARMPAC-610(P)



unit:mm

ARMPAC-612(P)

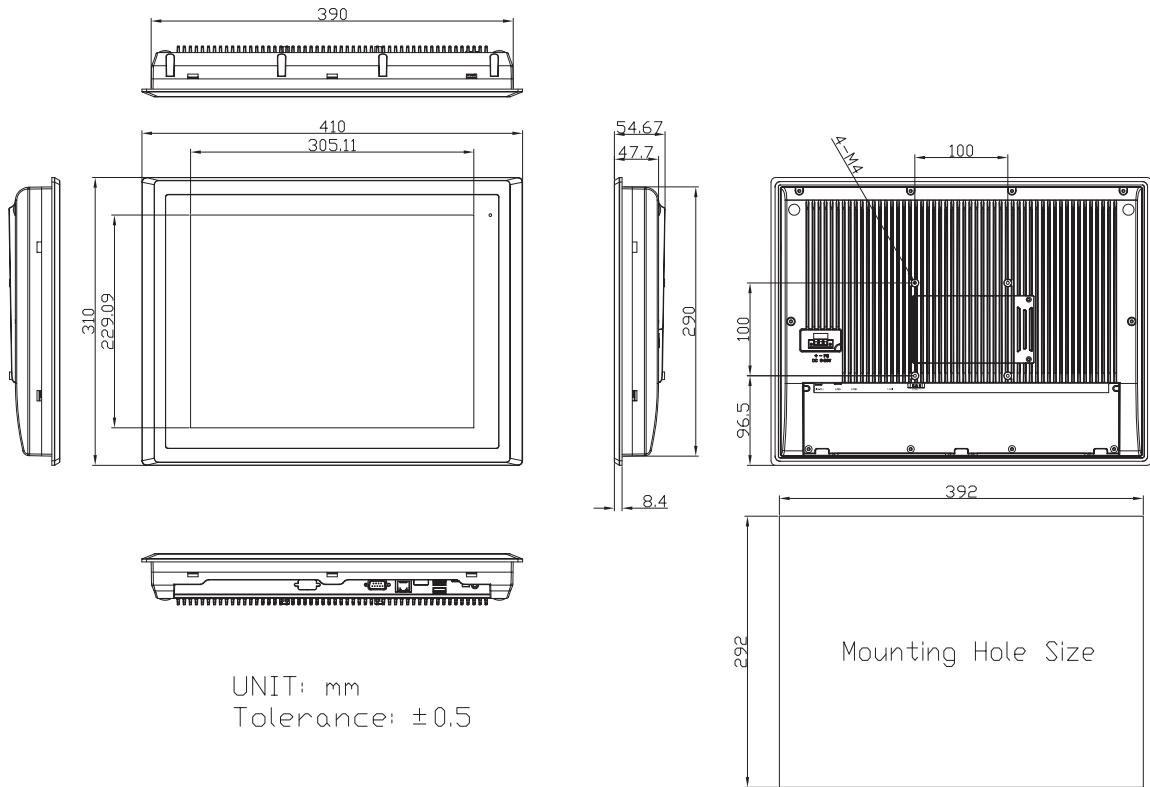


unit:mm

ARMPAC-6XX(P) Series

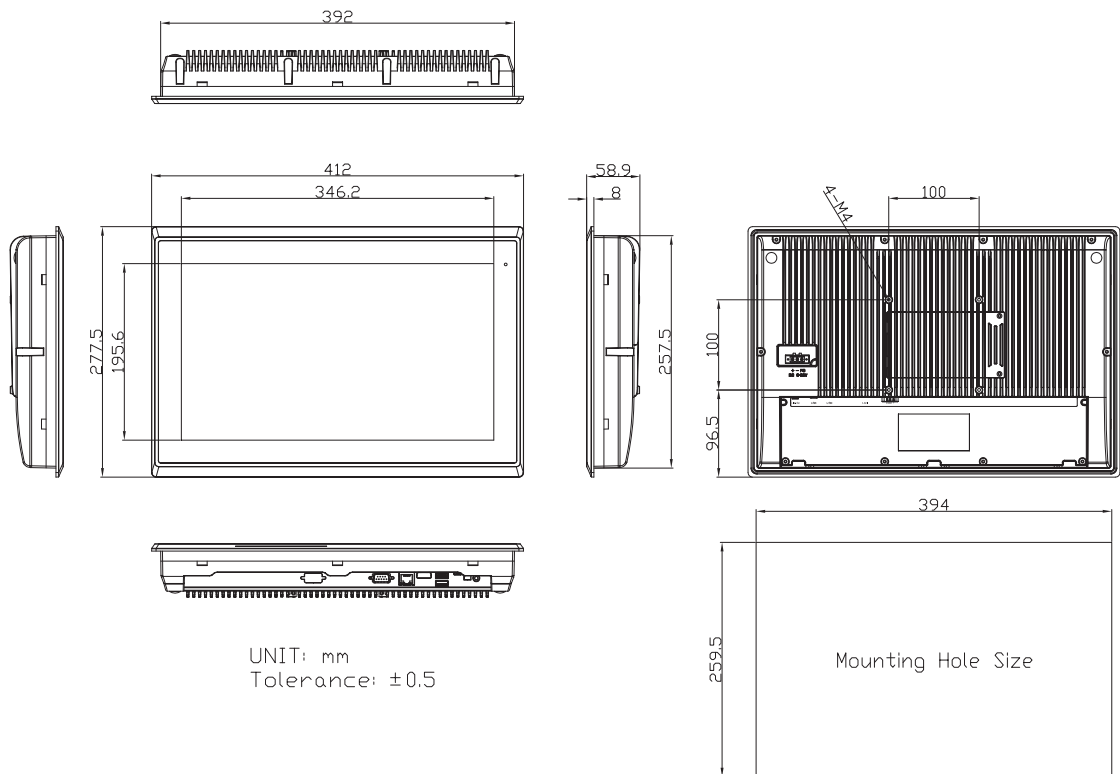
New Generation ARM Based HMI

ARMPAC-615(P)



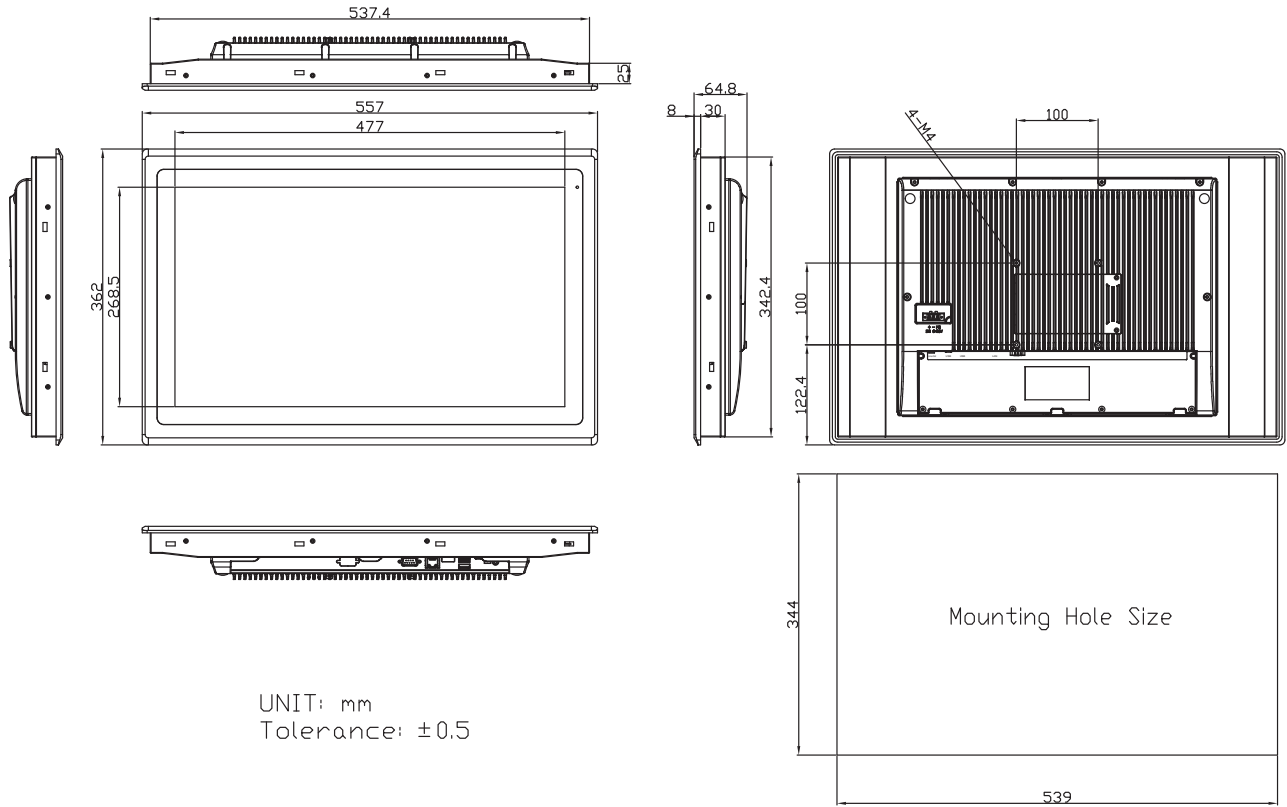
unit:mm

ARMPAC-616(P)



unit:mm

ARMPAC-621(P)



UNIT: mm
Tolerance: ±0.5

unit:mm

Ordering information

Model NO.	Description
ARMPAC-605	5.6" VGA fanless HMI barebone with Freescale i.MX6 DualLite ARM Cortex A9,1GB DDR3 RAM,4GB eMMC, Resistive touch, 9~36VDC input with adapter, plastic chassis.
ARMPAC-607	7" WVGA fanless HMI barebone with Freescale i.MX6 DualLite ARM Cortex A9,1GB DDR3 RAM,4GB eMMC, Resistive touch, 9~36VDC input with adapter, plastic chassis.
ARMPAC-607P	7" WVGA fanless HMI barebone with Freescale i.MX6 DualLite ARM Cortex A9,1GB DDR3 RAM,4GB eMMC, Projected capacitive touch, 9~36VDC input with adapter, plastic chassis.
ARMPAC-608	8" SVGA fanless HMI barebone with Freescale i.MX6 DualLite ARM Cortex A9,1GB DDR3 RAM,4GB eMMC, Resistive touch, 9~36VDC input with adapter, plastic chassis.
ARMPAC-608P	8" SVGA fanless HMI barebone with Freescale i.MX6 DualLite ARM Cortex A9,1GB DDR3 RAM,4GB eMMC, Projected capacitive touch, 9~36VDC input with adapter, plastic chassis.
ARMPAC-610	10.1" WSVGA fanless HMI barebone with Freescale i.MX6 DualLite ARM Cortex A9,1GB DDR3 RAM,4GB eMMC, Resistive touch, 9~36VDC input with adapter, plastic chassis.
ARMPAC-610P	10.1" WSVGA fanless HMI barebone with Freescale i.MX6 DualLite ARM Cortex A9,1GB DDR3 RAM,4GB eMMC, Projected capacitive touch, 9~36VDC input with adapter, plastic chassis.
ARMPAC-612	12.1" SVGA fanless HMI barebone with Freescale i.MX6 DualLite ARM Cortex A9,1GB DDR3 RAM,4GB eMMC, Resistive touch, 9~36VDC input with adapter, plastic chassis.
ARMPAC-612P	12.1" SVGA fanless HMI barebone with Freescale i.MX6 DualLite ARM Cortex A9,1GB DDR3 RAM,4GB eMMC, Projected capacitive touch, 9~36VDC input with adapter, plastic chassis.
ARMPAC-615	15" fanless HMI barebone with Freescale i.MX6 DualLite ARM Cortex A9,1GB DDR3 RAM,4GB eMMC, Resistive touch, 9~36VDC input with adapter, plastic chassis.
ARMPAC-615P	15" fanless HMI barebone with Freescale i.MX6 DualLite ARM Cortex A9,1GB DDR3 RAM,4GB eMMC, Projected capacitive touch, 9~36VDC input with adapter, plastic chassis.
ARMPAC-616	15.6" fanless HMI barebone with Freescale i.MX6 DualLite ARM Cortex A9,1GB DDR3 RAM,4GB eMMC, Resistive touch, 9~36VDC input with adapter, plastic chassis.
ARMPAC-616P	15.6" fanless HMI barebone with Freescale i.MX6 DualLite ARM Cortex A9,1GB DDR3 RAM,4GB eMMC, Projected capacitive touch, 9~36VDC input with adapter, plastic chassis.
ARMPAC-621	21.5" FHD fanless HMI barebone with Freescale i.MX6 DualLite ARM Cortex A9,1GB DDR3 RAM,4GB eMMC, Resistive touch, 9~36VDC input with adapter, plastic chassis.
ARMPAC-621P	21.5" FHD fanless HMI barebone with Freescale i.MX6 DualLite ARM Cortex A9,1GB DDR3 RAM,4GB eMMC, Projected capacitive touch, 9~36VDC input with adapter, plastic chassis.



ARMPAC-5XX(P) Series

New Generation ARM Based HMI

Low Power Consumption ARM Based HMI

- TI-AM3354, ARM® Cortex™ A8 Processor
- Fanless ARM Based HMI
- Onboard 512MB up to 1GB DDR3 DRAM
- Onboard 512MB/1GB NAND Flash
- Flat Front Panel Touch Screen



TI-AM3354
ARM® Cortex™ A8
Processor



Onboard 512MB up to
1GB DDR3



Fanless ARM Based HMI



Flat Front Panel Touch
Screen



wide range
DC 9~36V input



ARMPAC-5XX(P) Series

New Generation ARM Based HMI



Model Name	ARMPAC-505(P)	ARMPAC-507(P)	ARMPAC-508(P)	ARMPAC-510(P)	ARMPAC-512(P)
System					
Processor	Ti-AM3354,ARM Cortex A8(1x Core,1.0GHz)				
System Chipset	NA				
System Memory	Onboard 512MB DDR3 SDRAM				
External I/O					
USB	2 x USB 2.0 type A				
Serial/Parallel	1 x RS-232/422/485 DB9 , default RS-232				
LAN	1 x 10/100MB LAN RJ-45 (POE for option)				
Audio	1 x Line out				
Power connector	1 x 3-pin terminal block connector 1 x 2-pin Power switch connector				
Storage Space					
NAND Flash	Onboard 512MB NAND Flash (1GB for option)				
Movable device	1 x micro SD slot				
Expansion					
Onboard expansion bus	1 x mini-PCIe slot(full size)				
Display					
Display type	5.6" TFT-LCD	7" TFT-LCD	8" TFT-LCD	10.1" TFT-LCD	12.1" TFT-LCD
Max. resolution	640 x 480	800 x 480	800 x 600	1024 x 600	800 x 600 1024 x 768
Max. color	262K	262K	16.2M	262K/16.7M	16.2M 262K
Luminance(cd/m ²)	350	350	350	250	450 500
View angle(H°/V°)	140/120	140/120	140/125	140/120	178/178 160/140
Backlight lifetime(hrs)	20000	40000	40000	15000	50000 30000
Touch Screen					
Type	Resistive Touch	Resistive Touch Projected Capacitive(For P model)			
Interface	ADC	ADC / USB(For P model)			
Light transmission(%)	Resistive Touch : 80% Projected Capacitive : 90%				
Power					
Power input	DC 9~36V				
Power Consumption (TYP.)	ARMPAC-505P: 9W	ARMPAC-507P: 7.5W	ARMPAC-508P: 7.7W	ARMPAC-510P: 7.8W	ARMPAC-512P: 9.2W
Mechanical					
Construction	Plastic Front Bezel and Chassis				
IP rating	IP65 Compliant Front Bezel				
Mounting	Panel Mount, VESA 75 x 75			Panel Mount, VESA 100 x 100	
Dimension(mm)	204 x 150 x 42.5	204 x 150 x 42.5	231.1 x 176.1 x 45	285 x 189 x 49.6	319 x 245 x 51
Net weight(Kg)	0.8	0.9	0.9	1.3	2.0
Environment					
Operating temperature(°C)	0~50/-20~60 for option				
Storage temperature(°C)	-30~70				
Humidity	10 to 95% @ 40°C, non- condensing				
Certification	CE/FCC Class A/UL				
Operating System Support					
Linux 4.4.12 WEC 7					

Stainless Steel Panel PC

Industrial Panel PC

HMI

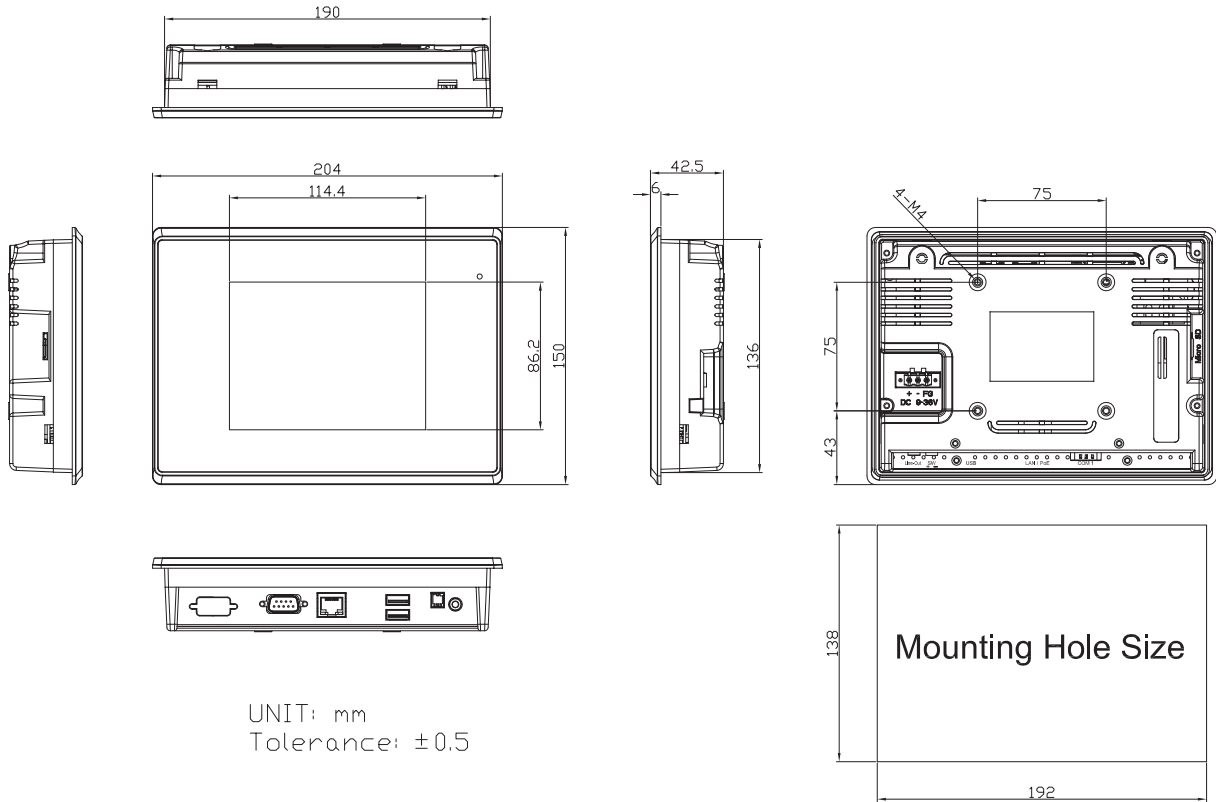
Embedded Box PC

Display

ARMPAC-5XX(P) Series

New Generation ARM Based HMI

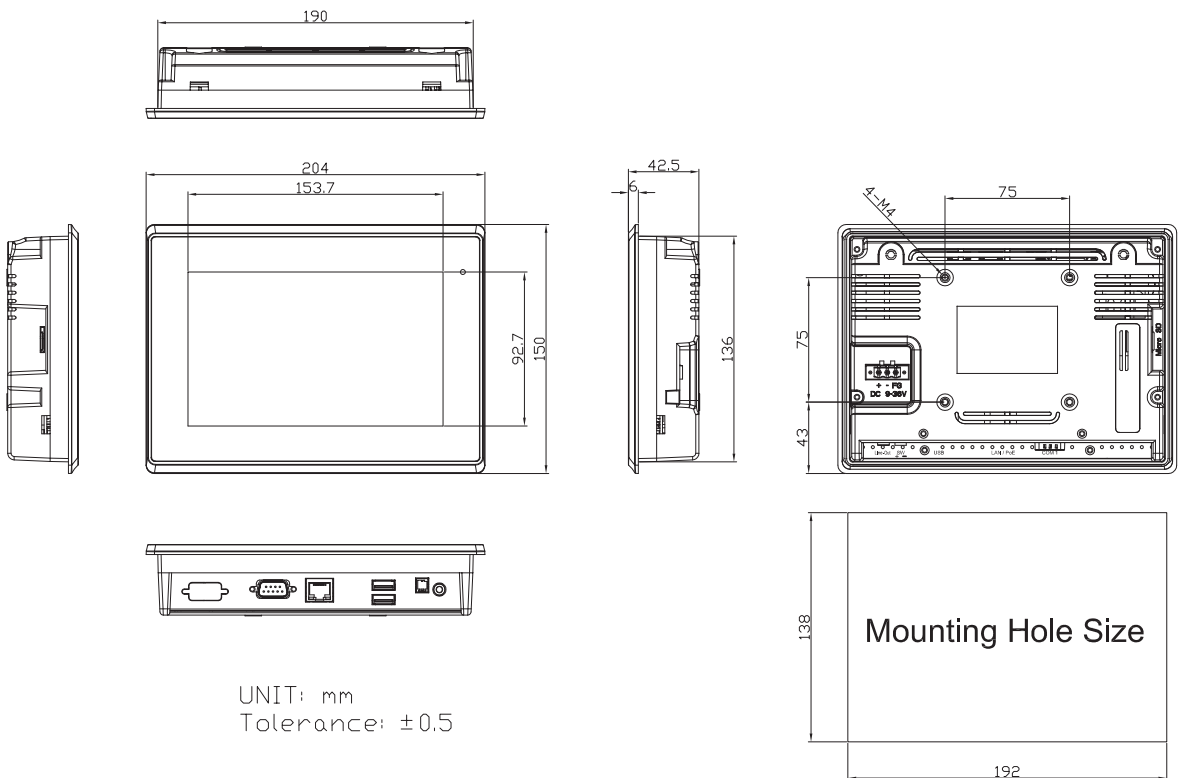
ARMPAC-505



UNIT: mm
Tolerance: ± 0.5

unit:mm

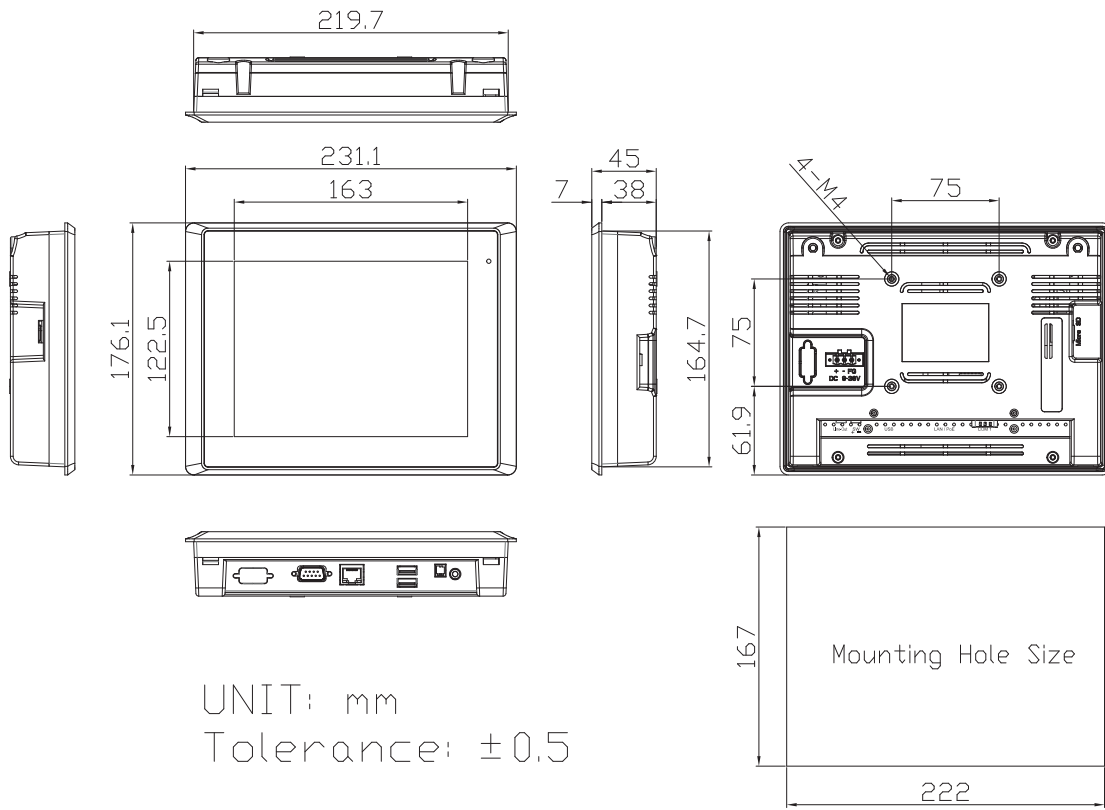
ARMPAC-507(P)



UNIT: mm
Tolerance: ± 0.5

unit:mm

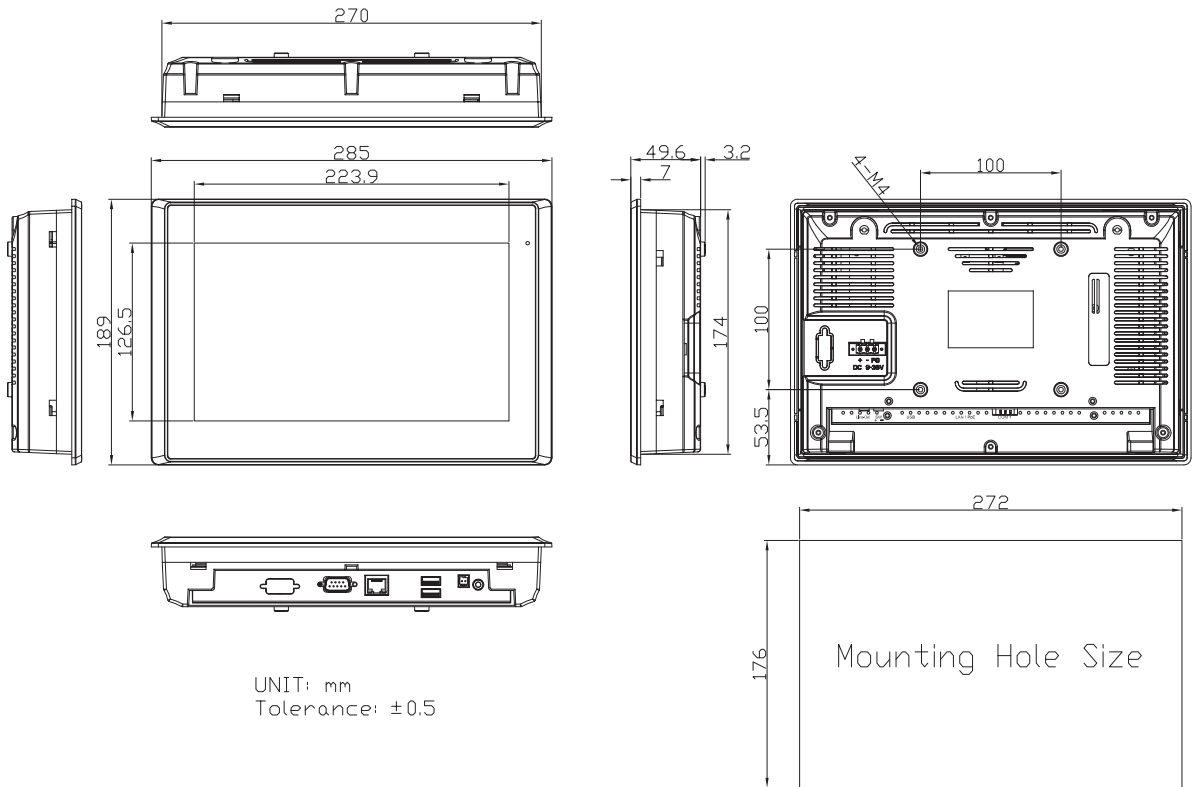
ARMPAC-508(P)



UNIT: mm
Tolerance: ±0.5

unit:mm

ARMPAC-510(P)



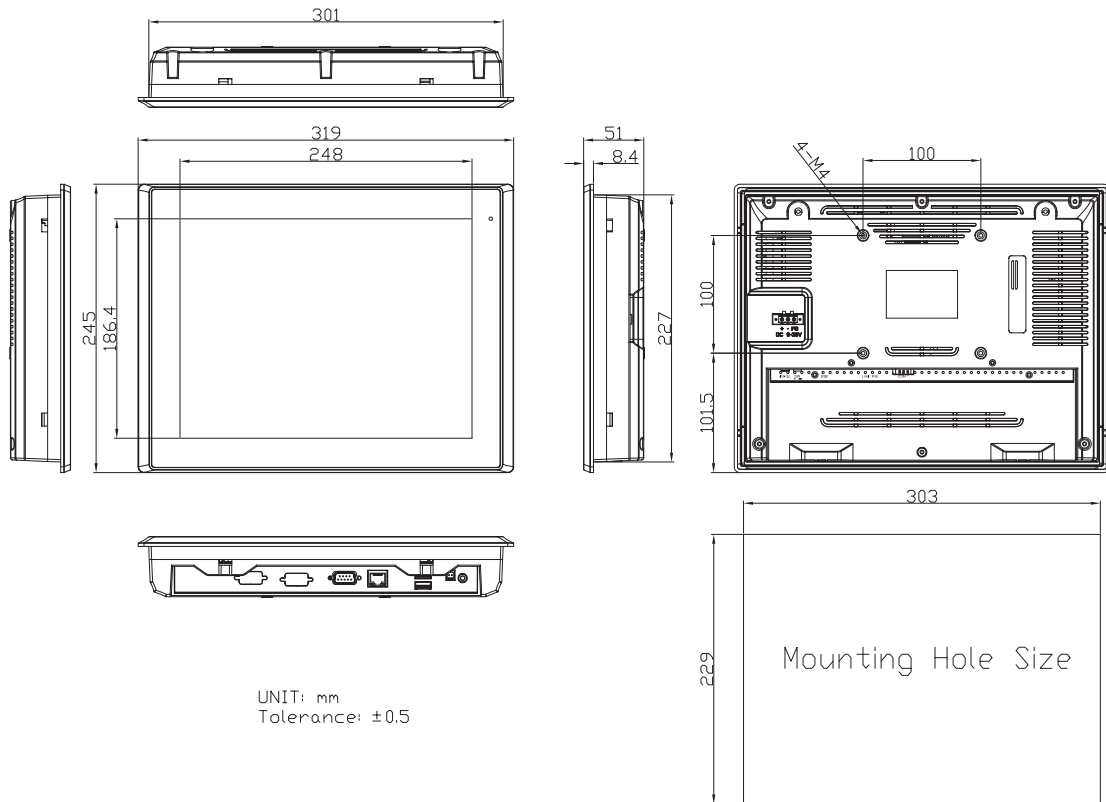
UNIT: mm
Tolerance: ±0.5

unit:mm

ARMPAC-5XX(P) Series

New Generation ARM Based HMI

ARMPAC-512(P)



Ordering information

Model NO.	Description
ARMPAC-505	5.6" VGA fanless HMI barebone with TI-AM3354 ARM® Cortex™ A8 processor CPU,512MB DDR3 RAM,512 NAND flash, Resistive touch, 9~36VDC input with adapter, plastic chassis.
ARMPAC-507	7" WVGA fanless HMI barebone with TI-AM3354 ARM® Cortex™ A8 processor CPU,512MB DDR3 RAM,512 NAND flash, Resistive touch, 9~36VDC input with adapter, plastic chassis.
ARMPAC-507P	7" WVGA fanless HMI barebone with TI-AM3354 ARM® Cortex™ A8 processor CPU,512MB DDR3 RAM,512 NAND flash, Projected capacitive touch, 9~36VDC input with adapter, plastic chassis.
ARMPAC-508	8" SVGA fanless HMI barebone with TI-AM3354 ARM® Cortex™ A8 processor CPU,512MB DDR3 RAM,512 NAND flash, Resistive touch, 9~36VDC input with adapter, plastic chassis.
ARMPAC-508P	8" SVGA fanless HMI barebone with TI-AM3354 ARM® Cortex™ A8 processor CPU,512MB DDR3 RAM,512 NAND flash, Projected capacitive touch, 9~36VDC input with adapter, plastic chassis.
ARMPAC-510	10.1" WSVGA fanless HMI barebone with TI-AM3354 ARM® Cortex™ A8 processor CPU,512MB DDR3 RAM,512 NAND flash, Resistive touch, 9~36VDC input with adapter, plastic chassis.
ARMPAC-510P	10.1" WSVGA fanless HMI barebone with TI-AM3354 ARM® Cortex™ A8 processor CPU,512MB DDR3 RAM,512 NAND flash, Projected capacitive touch, 9~36VDC input with adapter, plastic chassis.
ARMPAC-512	12.1" SVGA fanless HMI barebone with TI-AM3354 ARM® Cortex™ A8 processor CPU,512MB DDR3 RAM,512 NAND flash, Resistive touch, 9~36VDC input with adapter, plastic chassis.
ARMPAC-512P	12.1" SVGA fanless HMI barebone with TI-AM3354 ARM® Cortex™ A8 processor CPU,512MB DDR3 RAM,512 NAND flash, Projected capacitive touch, 9~36VDC input with adapter, plastic chassis.



FABS-9XXAP/R/G(H)
FABS-8XXP/G(H)



**TAIWAN
EXCELLENCE
2019**



FABS Series



Food Safety Standard HMI
Perfect Solution to Hygienic Excellence

Build Up the Standard of Food and Beverage Industry

APLEX FABS series is the solution for strict sanitary environment. It is capable of preventing food or other materials from contaminating with sand, dirt, mold or bacteria in the manufacturing process. Also, we devote ourselves to achieve food safety standard with EN 1672-2 certification. APLEX new generation food safety design HMI focuses on optimizing food & beverage, pharmaceutical & consumer packed goods processing operation.

SUS 304 /316 Stainless Steel front bezel

The SUS 304 /316 stainless steel front bezel presents the great resistance to corrosion, cleaner, and chemical agent.



IP66/69K Water-proof

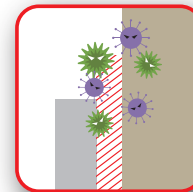
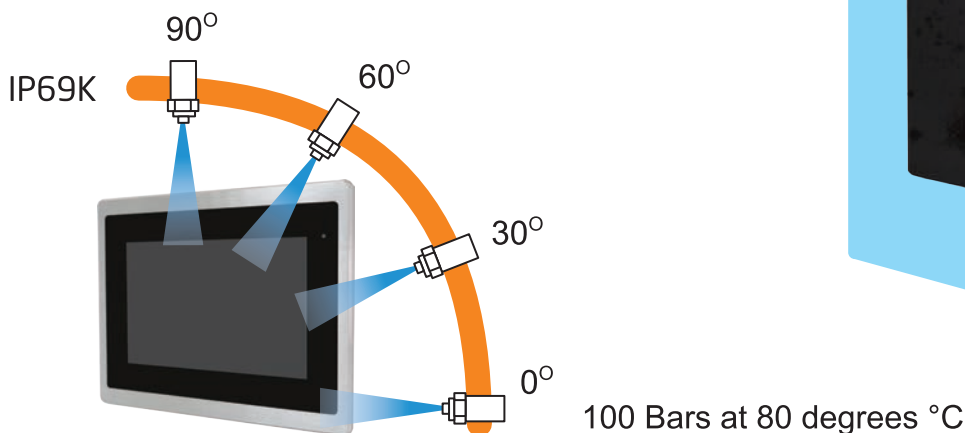
With IP66/69K rated water and dust proof, you can maintain it easily by cleaning with high pressure and temperature water.



- Full-fledged protection from dust
- Protected against close-range high pressure, high temperature sprays down



- Full-fledged protection from dust
- Protected against multi-directional high-pressure water jets



Other Products



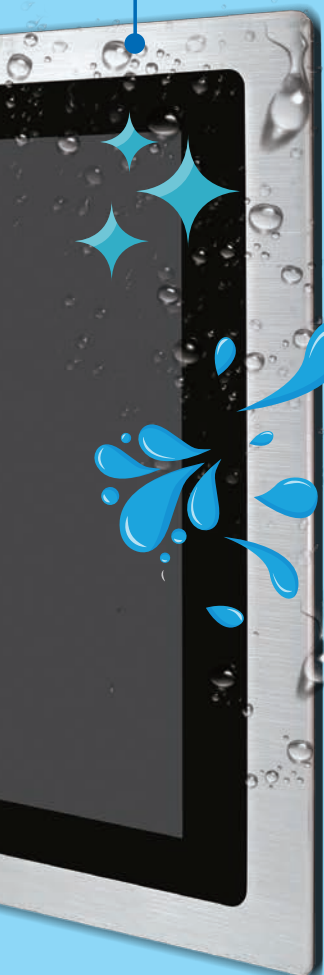
EN 1672-2 Certification

FABS Series comply with the food safety with international food safety grade requirement, EN 1672-2 certification, and DIN 42115 Part 2 for the durability of chemical substances and the sealing material meet FDA 21CFR 177.2600.

Note: Resistive Touch is without EN 1672-2 Certification



With the perfect chamfered edge, the water or detergent directly flows down the front panel.



APLEX Food Safety Grade HMI FABS Series



High Productivity

FABS 9A series offers excellent computing ability and is powered by Intel 6th/7th Core i3/i5/i7 processor. Also, the great graphic experience helps display complex visual information.



Internet Connectivity

- Optional GPS Module
- Optional Wi-Fi/BT and 3G/4G LTE Module



TB-528 Expansion I/O Boards

TB-528 Series I/O boards provide various I/O selections. It supports to different industrial applications.

Model	TB-528U4	TB-528U4M E1	TB-528C1U2	TB-528C1U2 P1	TB-528C2	TB-528C2ME1
FABS-8XX(P)H	●	●	●	●	●	●
FABS-9XX(P)H	●	●	●	●	●	●

Model	TB-528C2I	TB-528CAN2	TB-528E1U2	TB-528NE1U 2POE	TB-528E1U2 POE	TB-528E1 U2UPOE
FABS-8XX(P)H	●	●	●	FABS-810/812/815/(P)H		
FABS-9XX(P)H	●	●	●	FABS-912/915/AP/G(H)		

* FABS-810/812(P)H&912AP/G(H) are allowed to build in either TB-528 transfer board or UPS battery.
 * The above listed product does not contain: FABS-807P/G(H)



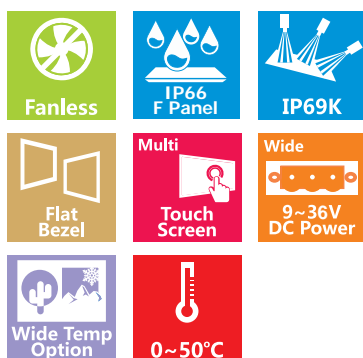
FABS-9XXA(P)(R)(G) Series

FABS-9XXA(P)(R)(G)H Series

Food Safety Grade and Hygienic Design HMI

Compact Size Intel 6th/7th Gen. Core HMI

- Intel 6th/7th Gen. Core i3/i5/i7 Processors
- 1 x DDR4 SO-DIMM Socket
- SUS304 Stainless steel (Option SUS316)
- Front bezel IP66/IP69K
- 9~36V DC wide-ranging power input



Comply with EN-1672-2
Food Safety Grade
Standard



Wide Range
DC 9~36V Power Input



Flat Front Panel Design
Front Bezel IP66/IP69K



SUS304 Stainless steel
(Option SUS316)

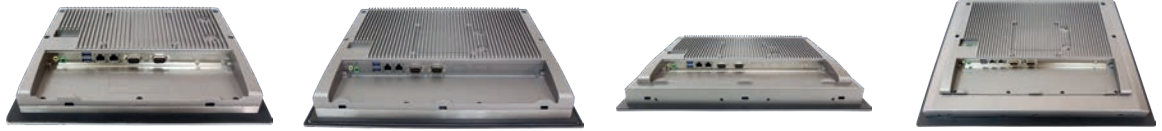


Easily Accessible
Storage Design



FABS-9XXA(R)(P)(G)H Series

Food Safety Grade and Hygienic Design HMI



Model Name	FABS-912A(R)(P)(G) FABS-912A(R)(P)(G)H				FABS-915A(R)(P)(G) FABS-915A(R)(P)(G)H		FABS-917A(R)(P)(G) FABS-917A(R)(P)(G)H		FABS-919A(R)(P)(G) FABS-919A(R)(P)(G)H		
System											
Processor	6th/7th Gen. Intel Core i3/i5/i7 Processors										
System Chipset	SoC										
System Memory	1 x DDR4 SO-DIMM Socket										
External I/O											
USB	2 x USB 3.0 type A										
Serial/Parallel	1 x RS-232/422/485 DB-9, default RS-232(COM1) 1 x RS-232 DB-9(COM2)										
LAN	2 x GbE LAN RJ-45										
Audio	1 x Line-out										
Power connector	1 x 3-pin terminal block connector 1 x 2-pin Power Switch connector										
Storage Space											
HDD	1 x 2.5" SATA HDD space (Easily Accessible)										
Expansion											
Onboard expansion bus	1 x Mini-PCIe (full size)										
Display	Standard		High Brightness		Standard		High Brightness		Standard		High Brightness
Display type	12.1" TFT-LCD				15" TFT-LCD		17" TFT-LCD		19" TFT-LCD		
Max. resolution	800x 600	1024 x 768	800x 600	1024 x 768	1024 x 768		1280 x 1024		1280 x 1024		
Max. color	16.2M	16.2M	16.2M	16.2M	16.2M	16.7M	16.7M	16.7M	16.7M	16.7M	16.7M
Luminance(cd/m ²)	450	1000	500	1000	300	1000	350	1000	350	1000	1000
View angle(H°/V°)	16.2M	16.2M	16.2M	16.2M	176/176	160/150	160/140	170/160	170/160	170/160	170/160
Contrast	800:1	700:1	700:1	700:1	2000:1	800:1	800:1	1000:1	1000:1	1000:1	1000:1
Backlight lifetime(hrs)	50000	50000	30000	50000	70000	50000	50000	50000	50000	50000	50000
Touch Screen											
Type	Projected capacitive/Resistive Touch/Glass										
Interface	USB										
Light transmission(%)	Resistive Touch : 80% Projected Capacitive and Glass : 90%										
Power											
Power input	DC 9~36V										
Power Consumption (TYP.)	TBD				TBD		FABS-917AP: 54W		TBD		
Mechanical											
Construction	304 Stainless steel front bezel (Default) 316 Stainless steel front bezel (option) Aluminum back cover										
IP rating	IP66/IP69K compliant front bezel										
Mounting	Panel Mount, VESA 75 x 75					Panel Mount, VESA 100 x 100					
Dimension(mm)	331 x 257 x 52				422 x 322 x 54.1		449.4 x 358.4 x 63.8		485 x 398 x 63.8		
Net weight(Kg)	3.4				5.4		6.3		TBD		
Environment											
Operating temperature(°C)	0~50 (-20~60 option)					0~50					
Storage temperature(°C)	-30~70°C										
Humidity	10 to 95% @ 40°C, non- condensing										
Certification	CE / FCC Class A for P/G/PH/GH model Compliant with EN 1672-2 for P/G/PH/GH model										
Operating System Support											
Windows Embedded 7 Windows Embedded 8.1 Windows 10 IoT ENT LTSB											

Stainless Steel Panel PC

Industrial Panel PC

HMI

Embedded Box PC

Display

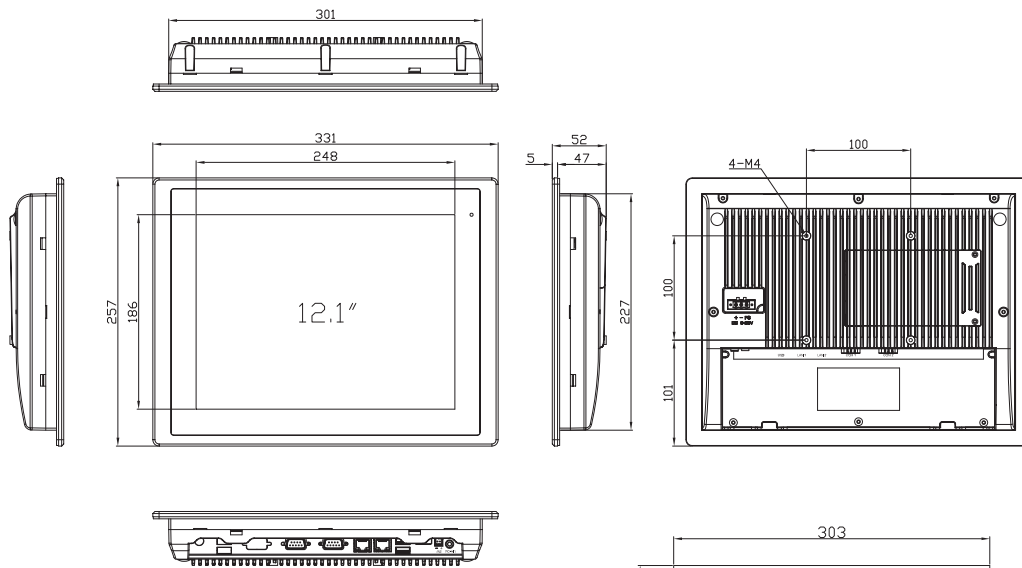
FABS-9XXA(R)(P)(G)H Series

Food Safety Grade and Hygienic Design HMI



Model Name	FABS-921A(R)(P)(G) FABS-921A(R)(P)(G)H		
System			
Processor	6th/7th Gen. Intel Core i3/i5/i7 Processors		
System Chipset	SoC		
System Memory	1 x DDR4 SO-DIMM Socket		
External I/O			
USB	2 x USB 3.0 type A		
Serial/Parallel	1 x RS-232/422/485 DB-9, default RS-232(COM1) 1 x RS-232 DB-9(COM2)		
LAN	2 x GbE LAN RJ-45		
Audio	1 x Line-out		
Power connector	1 x 3-pin terminal block connector 1 x 2-pin Power Switch connector		
Storage Space			
HDD	1 x 2.5" SATA HDD space (Easily Accessible)		
Expansion			
Onboard expansion bus	1 x Mini-PCIe (full size)		
Display	Standard		High Brightness
Display type	21.5" TFT-LCD		
Max. resolution	1920 x 1080		
Max. color	16.7M		
Luminance(cd/m ²)	250		1000
View angle(H°/V°)	178/178		178/178
Contrast	3000:1		3000:1
Backlight lifetime(hrs)	30000		50000
Touch Screen			
Type	Projected capacitive/Resistive Touch/Glass		
Interface	USB		
Light transmission(%)	Resistive Touch : 80% Projected Capacitive and Glass : 90%		
Power			
Power input	DC 9~36V		
Power Consumption (TYP.)	FABS-921AP: 64W		
Mechanical			
Construction	304 Stainless steel front bezel (Default) 316 Stainless steel front bezel (option) Aluminum back cover		
IP rating	IP66/IP69K compliant front bezel		
Mounting	Panel Mount, VESA 100 x 100		
Dimension(mm)	573.8 x 378.8 x 59.8		
Net weight(Kg)	7.88		
Environment			
Operating temperature(°C)	0~50°C, (0~40°C for High Brightness model)		
Storage temperature(°C)	-30~70°C		
Humidity	10 to 95% @ 40°C, non- condensing		
Certification	CE / FCC Class A for P/G/PH/GH model Compliant with EN 1672-2 for P/G/PH/GH model		
Operating System Support			
Windows Embedded 7 Windows Embedded 8.1 Windows 10 IoT ENT LTSC			

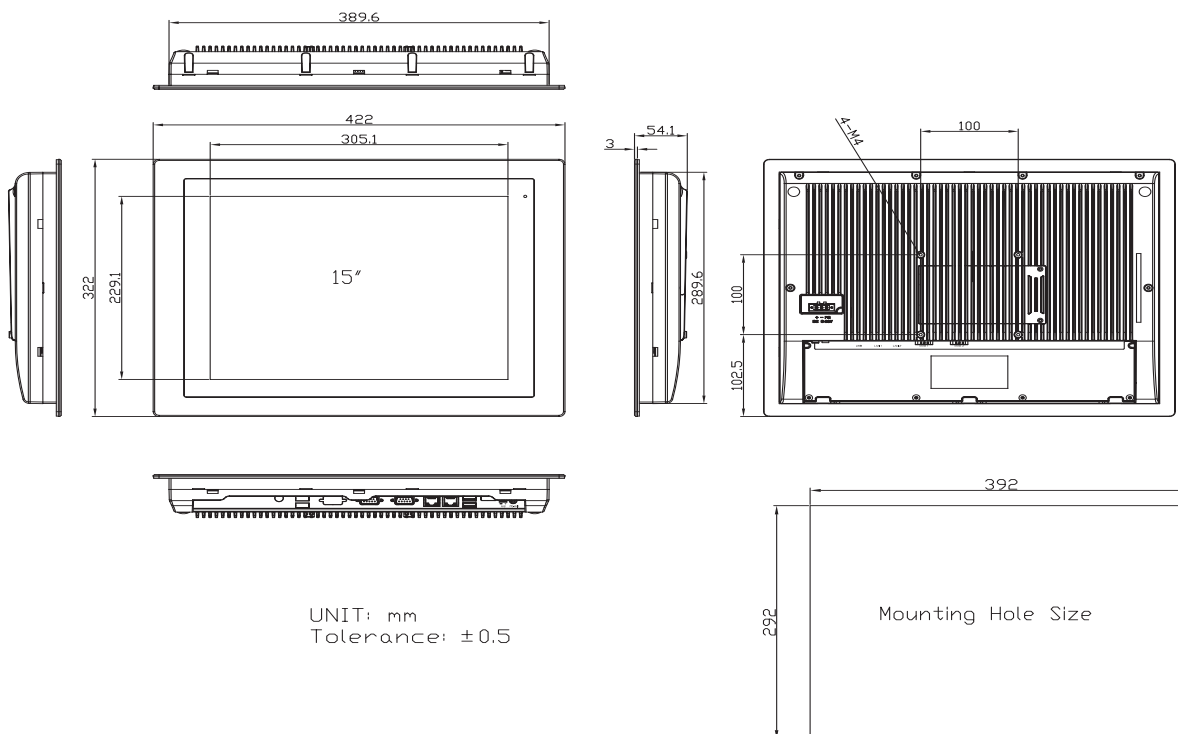
FABS-912AR/P/G(H)



UNIT: mm
Tolerance: ± 0.5

unit:mm

FABS-915AR/P/G(H)



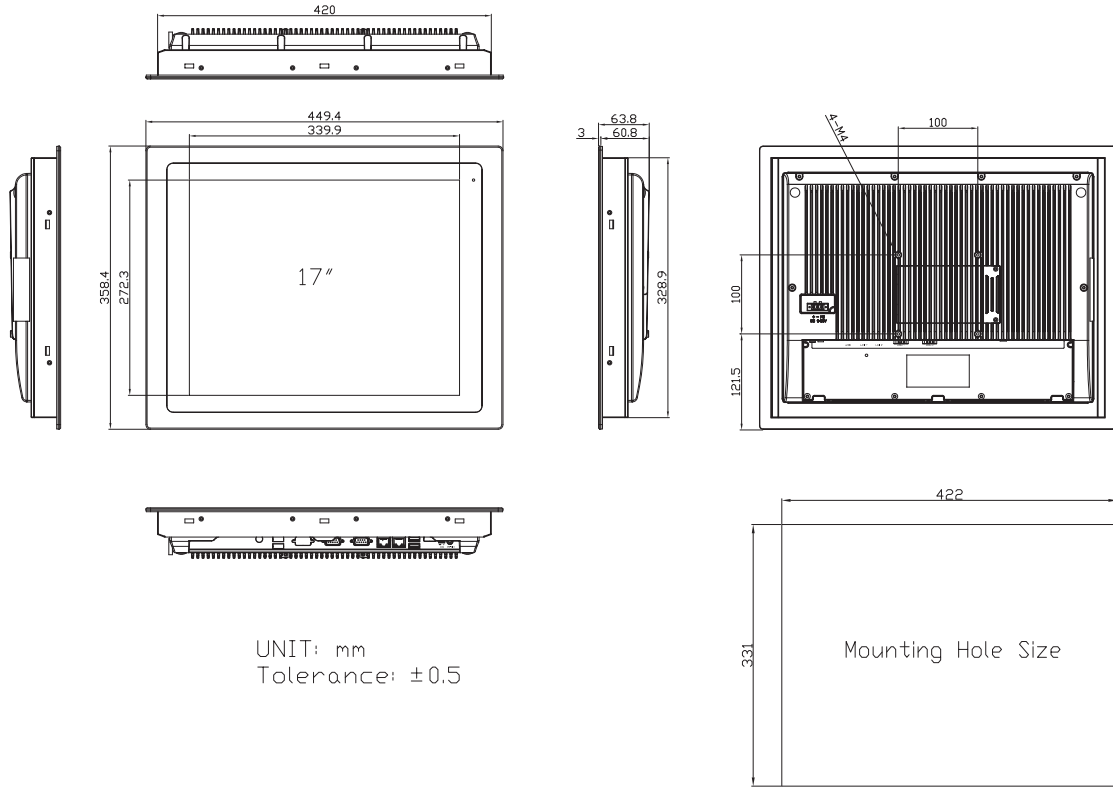
UNIT: mm
Tolerance: ± 0.5

unit:mm

FABS-9XXA(R)(P)(G)H Series

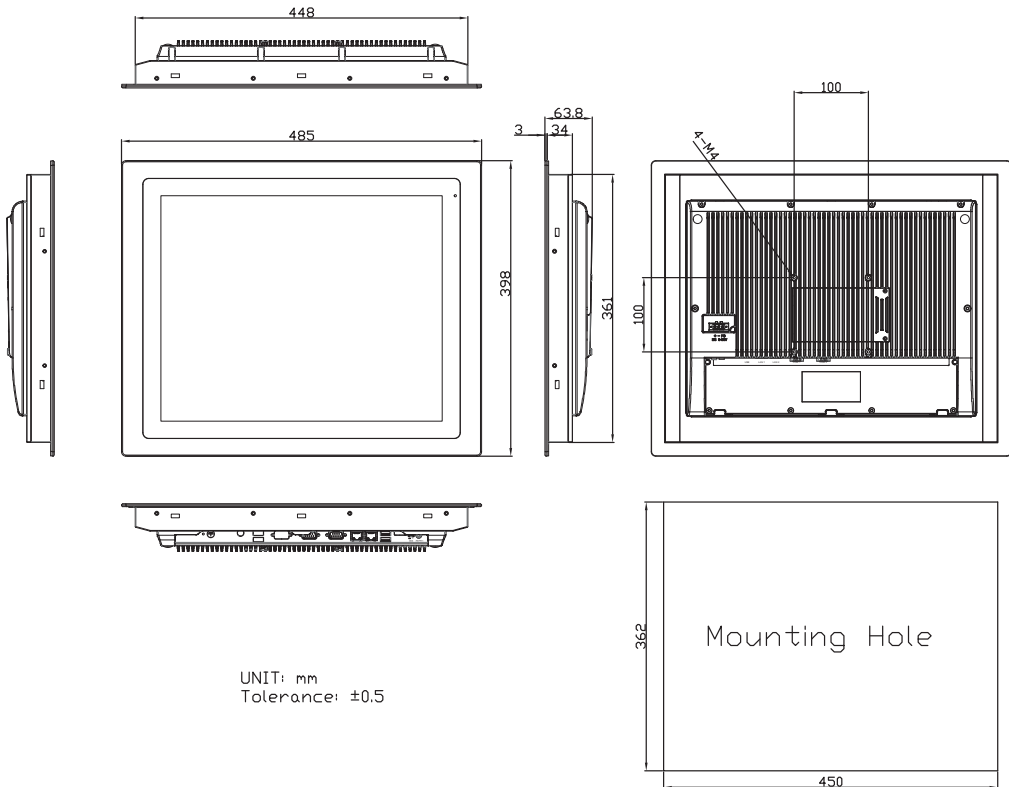
Food Safety Grade and Hygienic Design HMI

FABS-917AR/P/G(H)



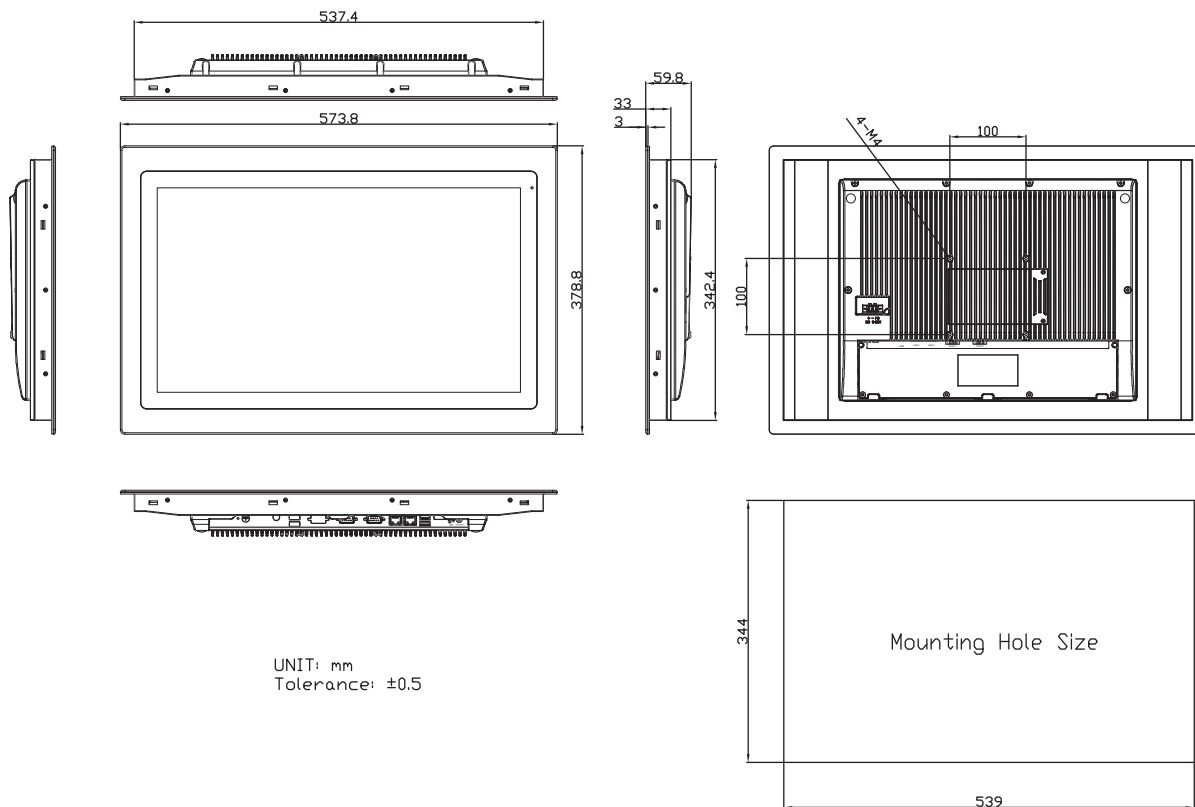
unit:mm

FABS-919AR/P/G(H)



unit:mm

FABS-921AR/P/G(H)



unit:mm

Ordering information

Model NO.	Description
FABS-912AR/P (Barebone)	12.1" SVGA fanless HMI barebone with Intel 6th Corei3-6100U CPU, DDR4 SO-DIMM Socket, Projected Capacitive /Resistive touch,, 9~36VDC input with adapter, Stainless front bezel and Aluminum chassis.
FABS-915AR/P(Barebone)	15" XGA fanless HMI barebone with Intel 6th Corei3-6100U CPU, DDR4 SO-DIMM Socket, Projected Capacitive /Resistive touch,, 9~36VDC input with adapter, Stainless front bezel and Aluminum chassis.
FABS-917AR/P(Barebone)	17" SXGA fanless HMI barebone with Intel 6th Corei3-6100U CPU, DDR4 SO-DIMM Socket, Projected Capacitive /Resistive touch,, 9~36VDC input with adapter, Stainless front bezel and Aluminum chassis.
FABS-919AR/P (Barebone)	19" SXGA fanless HMI barebone with Intel 6th Corei3-6100U CPU, DDR4 SO-DIMM Socket, Projected Capacitive /Resistive touch,, 9~36VDC input with adapter, Stainless front bezel and Aluminum chassis.
FABS-921AR/P (Barebone)	21.5" Full HD fanless HMI barebone with Intel 6th Corei3-6100U CPU, DDR4 SO-DIMM Socket, Projected Capacitive /Resistive touch,, 9~36VDC input with adapter, Stainless front bezel and Aluminum chassis.
FABS-912AG (Barebone)	12.1" SVGA fanless HMI barebone with Intel 6th Corei3-6100U CPU, DDR4 SO-DIMM Socket, Glass,, 9~36VDC input with adapter, Stainless front bezel and Aluminum chassis.
FABS-915AG (Barebone)	15" XGA fanless HMI barebone with Intel 6th Corei3-6100U CPU, DDR4 SO-DIMM Socket, Glass, 9~36VDC input with adapter, Stainless front bezel and Aluminum chassis.
FABS-917AG (Barebone)	17" SXGA fanless HMI barebone with Intel 6th Corei3-6100U CPU, DDR4 SO-DIMM Socket, Glass, 9~36VDC input with adapter, Stainless front bezel and Aluminum chassis.
FABS-919AG (Barebone)	19" SXGA fanless HMI barebone with Intel 6th Corei3-6100U CPU, DDR4 SO-DIMM Socket, Glass, 9~36VDC input with adapter, Stainless front bezel and Aluminum chassis.
FABS-921AG (Barebone)	21.5" Full HD fanless HMI barebone with Intel 6th Corei3-6100U CPU, DDR4 SO-DIMM Socket, Glass, 9~36VDC input with adapter, Stainless front bezel and Aluminum chassis.

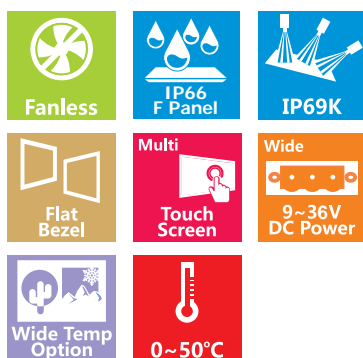


FABS-8XX(P)(G) Series FABS-8XX(P)(G)H Series

Food Safety Grade and Hygienic Design HMI

Compact Size Intel Celeron N2930 HMI

- Intel Celeron N2930 1.83GHz Processor
- Onboard 4GB DDR3L SDRAM
- PCT and glass for option
- Front bezel IP66/IP69K
- 9~36V DC wide-ranging power input



EN-1672-2 Food Safety
Grade Standard



Wide Range
DC 9~36V Power Input



Flat Front Panel Design
Front Bezel IP66/IP69K



SUS304 Stainless steel
(Option SUS316)



Easily Accessible
Storage Design



FABS-8XX(P)/(G)/H Series

Food Safety Grade and Hygienic Design HMI



Model Name	FABS-807P/G(H)	FABS-810P/G(H)	FABS-812P/G(H)	FABS-815P/G(H)						
System										
Processor	Onboard Intel Celeron N2930 Processor (2M Cache,1.83GHz)									
System Chipset	SoC									
System Memory	Onboard 4GB DDR3L SDRAM									
External I/O										
USB	2 x USB 3.0 type A									
Serial/Parallel	1 x RS-232/422/485 DB-9, default RS-232(COM1) 1 x RS-232 DB-9(COM2)									
LAN	2 x GbE LAN RJ-45									
Audio	1 x Line-out									
Power connector	1 x 3-pin terminal block connector 1 x 2-pin Power Switch connector									
Storage Space										
HDD	1 x MO-297 SSD space	1 x 2.5" SATA HDD space (Easily Accessible)								
Movable device	1 x internal SD slot onboard									
Expansion										
Onboard expansion bus	1 x Mini-PCIe (full size)									
Display										
	Standard	High Brightness	Standard	High Brightness	Standard	High Brightness	Standard	High Brightness		
Display type	7" TFT-LCD		10.1" TFT-LCD		12.1" TFT-LCD		15" TFT-LCD			
Max. resolution	800 x 480		1280 x 800		800x 600	1024 x 768	800x 600	1024 x 768	1024 x 768	
Max. color	262K	262K	16.7M	16.7M	16.2M	16.2M	16.2M	16.2M	16.7M	
Luminance(cd/m ²)	350	1000	350	1000	450	500	1000	1000	300	1000
View angle(H°/V°)	120/140	140/130	170/170	170/170	160/150	160/140	178/178	160/140	176/176	160/150
Contrast	500:1	400:1	800:1	1000:1	800:1	700:1	700:1	700:1	2000:1	800:1
Backlight lifetime(hrs)	40000	50000	25000	50000	50000	30000	50000	70000	70000	50000
Touch Screen										
Type	Projected capacitive/Resistive Touch/Glass									
Interface	USB									
Light transmission(%)	Resistive Touch : 80% Projected Capacitive and Glass : 90%									
Power										
Power input	DC 9~36V									
Power Consumption (TYP.)	FABS-807P: 25W	FABS-810P: 20W	FABS-812P: 30W	FABS-815P: 30W						
Mechanical										
Construction	304 Stainless steel front bezel (Default) 316 Stainless steel front bezel (option) Aluminum back cover									
IP rating	IP66/IP69K compliant front bezel									
Mounting	Panel Mount, VESA 75 x 75		Panel Mount, VESA 100 x 100							
Dimension(mm)	217 x 163 x 40		296 x 200 x 46.9		331 x 257 x 52		422 x 322 x 54.1			
Net weight(Kg)	1.6		2.5		3.4		5.1			
Environment										
Operating temperature(°C)	0~50°C (-20~60 option)									
Storage temperature(°C)	-30~70°C									
Humidity	10 to 95% @ 40°C, non- condensing									
Certification	CE / FCC Class A for Resistive Touch model CE / FCC Class A/EN 1672-2 for P/G/PH/GH model									
Operating System Support										
Windows embedded 7 Windows embedded 8.1 Windows 10 IoT ENT LTSC										

Stainless Steel Panel PC

Industrial Panel PC

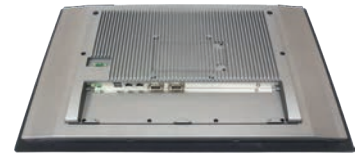
HMI

Embedded Box PC

Display

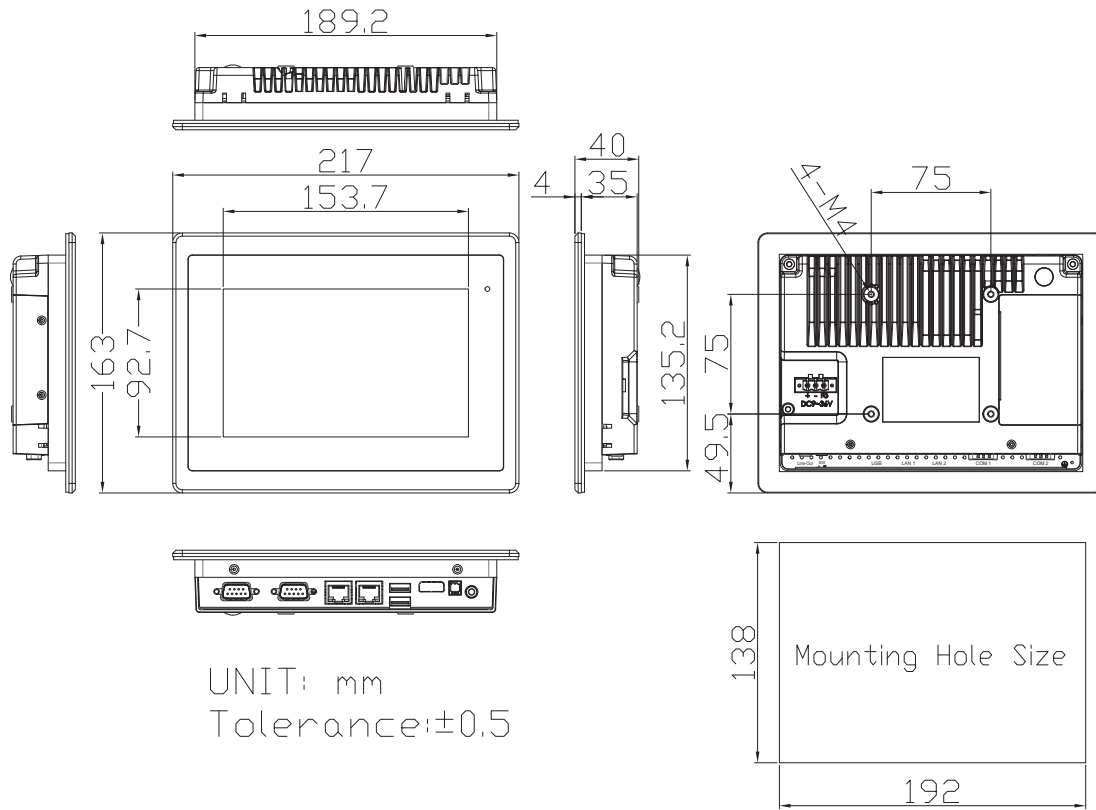
FABS-8XX(P)/(G)/H Series

Food Safety Grade and Hygienic Design HMI



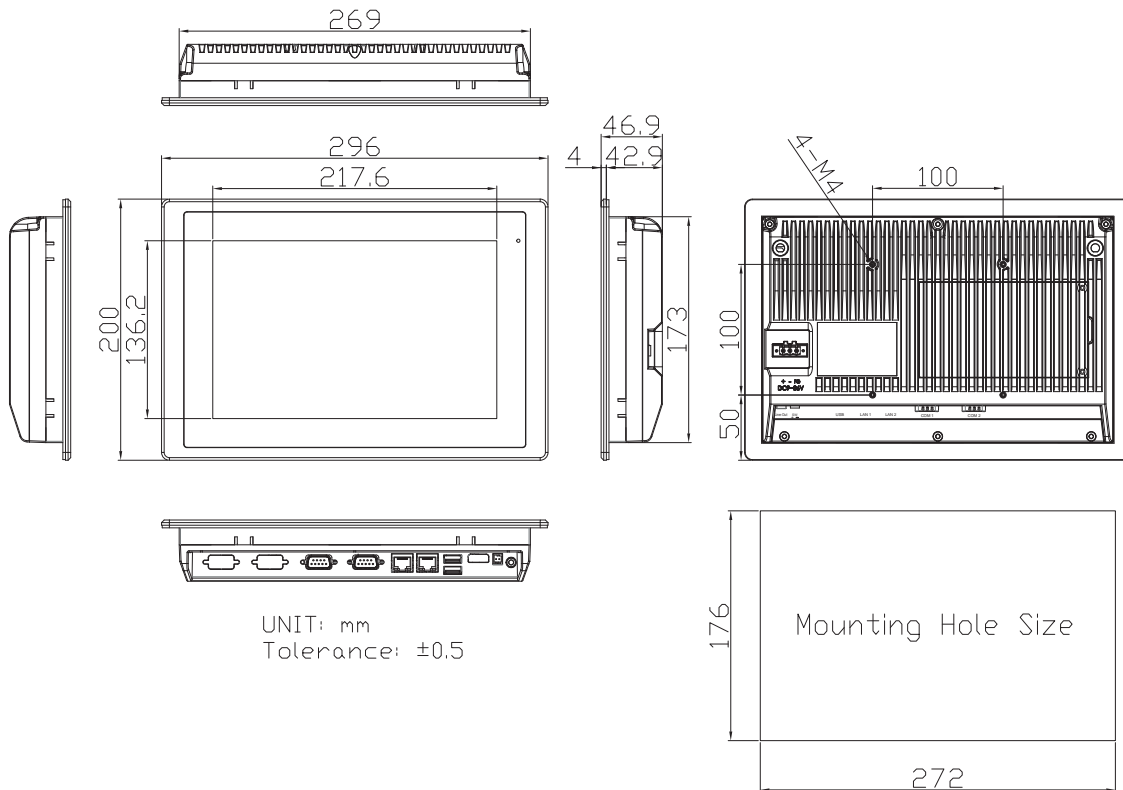
Model Name	FABS-817P/G(H)	FABS-819P/G(H)	FABS-821P/G(H)			
System						
Processor	Onboard Intel Celeron N2930 Processor (2M Cache,1.83GHz)					
System Chipset	SoC					
System Memory	Onboard 4GB DDR3L SDRAM					
External I/O						
USB	2 x USB 3.0 type A					
Serial/Parallel	1 x RS-232/422/485 DB-9, default RS-232(COM1) 1 x RS-232 DB-9(COM2)					
LAN	2 x GbE LAN RJ-45					
Audio	1 x Line-out					
Power connector	1 x 3-pin terminal block connector 1 x 2-pin Power Switch connector					
Storage Space						
HDD	1 x 2.5" SATA HDD space (Easily Accessible)					
Movable device	1 x internal SD slot onboard					
Expansion						
Onboard expansion bus	1 x Mini-PCIe (full size)					
Display						
	Standard	High Brightness	Standard	High Brightness	Standard	High Brightness
Display type	17" TFT-LCD		19" TFT-LCD		21.5" TFT-LCD	
Max. resolution	1280 x 1024		1280 x 1024		1920 x 1080	
Max. color	16.7M	16.7M	16.7M	16.7M	16.7M	16.7M
Luminance(cd/m ²)	350	1000	350	1000	250	1000
View angle(H°/V°)	160/140	170/160	170/160	170/160	178/178	178/178
Contrast	800:1	1000:1	1000:1	1000:1	3000:1	3000:1
Backlight lifetime(hrs)	50000	50000	50000	50000	30000	50000
Touch Screen						
Type	Projected capacitive/Resistive Touch/Glass					
Interface	USB					
Light transmission(%)	Resistive Touch : 80% Projected Capacitive and Glass : 90%					
Power						
Power input	DC 9~36V					
Power Consumption (TYP.)	FABS-817P: 39W	FABS-819P: 39W	FABS-821P: 40W			
Mechanical						
Construction	304 Stainless steel front bezel (Default) 316 Stainless steel front bezel (option) Aluminum back cover					
IP rating	IP66/IP69K compliant front bezel					
Mounting	Panel Mount, VESA 100 x 100					
Dimension(mm)	449.4 x 358.4 x 63.8	485 x 398 x 63.8	573.8 x 378.8 x 59.8			
Net weight(Kg)	6.4	7.7	8.0			
Environment						
Operating temperature(°C)	0~50°C		0~50°C			
Storage temperature(°C)	-30~70°C					
Humidity	10 to 95% @ 40°C, non- condensing					
Certification	CE / FCC Class A for Resistive Touch model CE / FCC Class A/EN 1672-2 for P/G/PH/GH model					
Operating System Support						
Windows embedded 7 Windows embedded 8.1 Windows 10 IoT ENT LTSB						

FABS-807P/G(H)



unit:mm

FABS-810P/G(H)

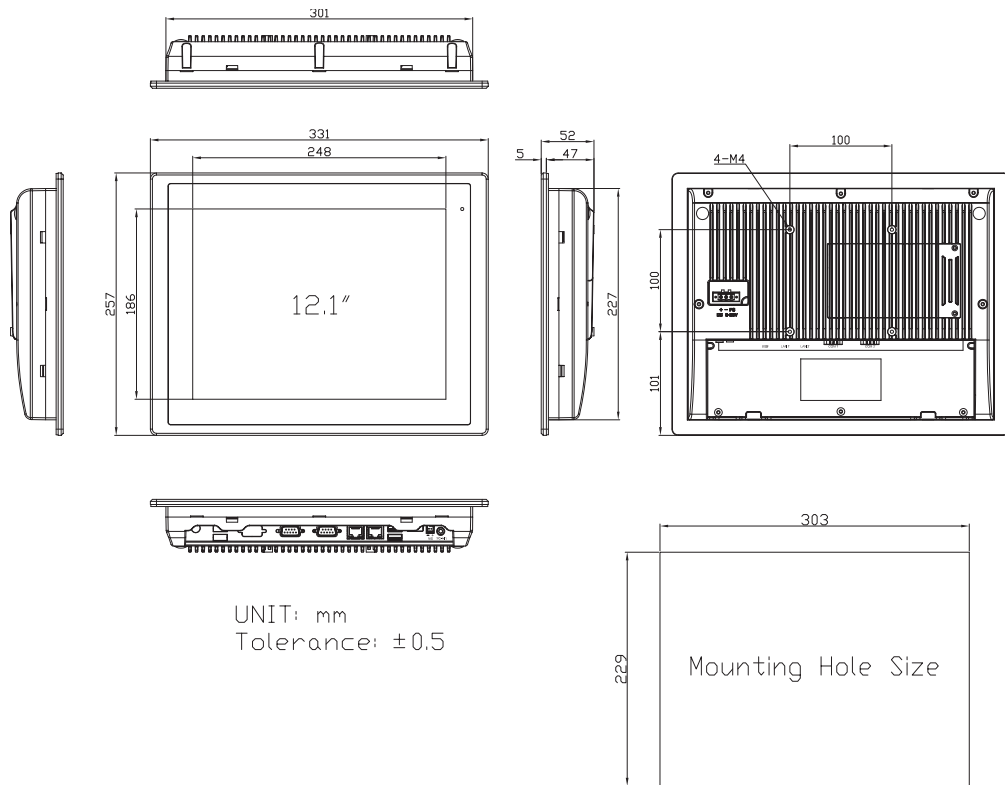


unit:mm

FABS-8XX(P)/(G)/H Series

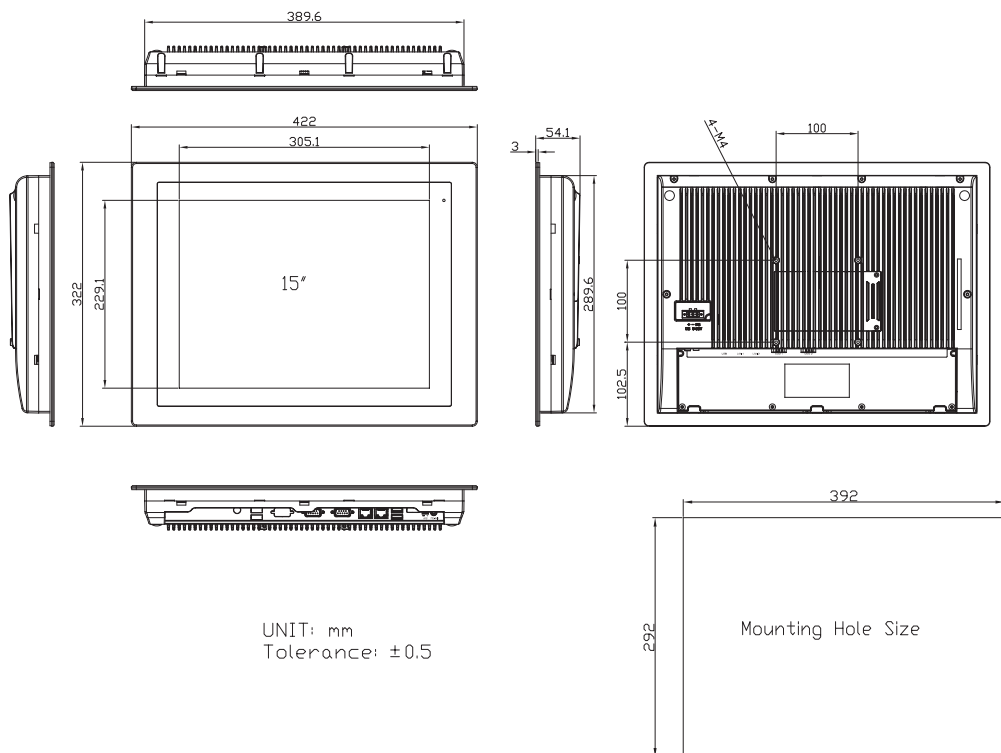
Food Safety Grade and Hygienic Design HMI

FABS-812P/G(H)



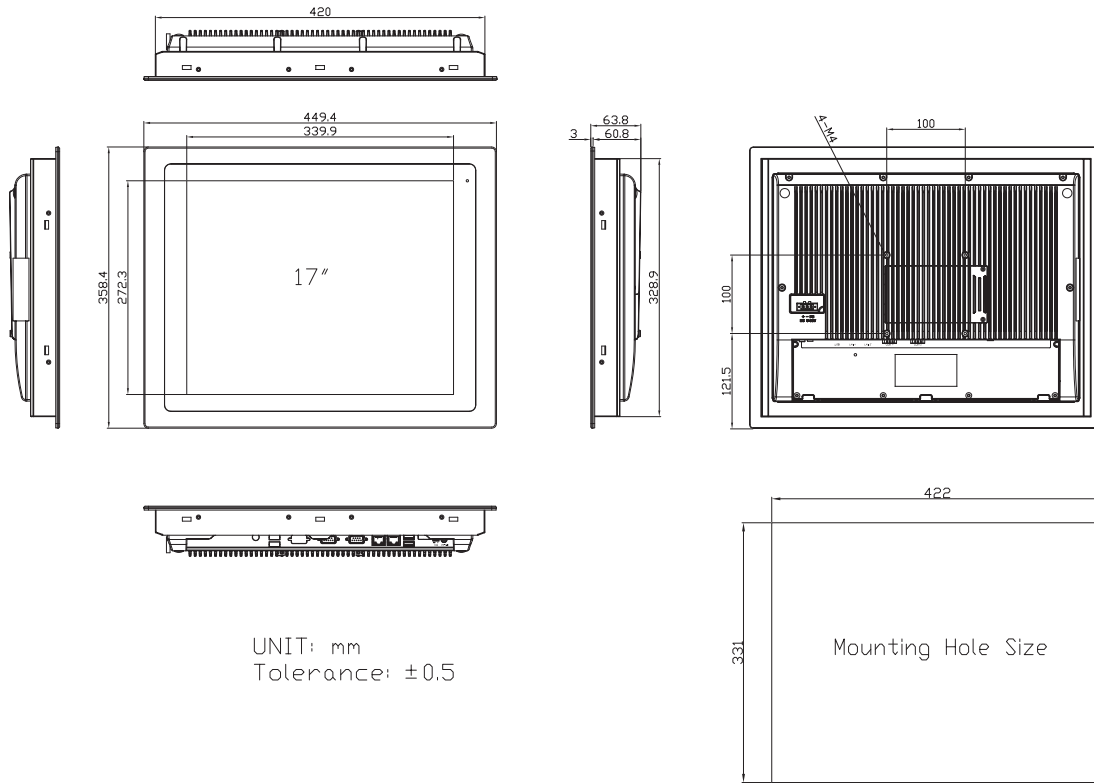
unit:mm

FABS-815P/G(H)



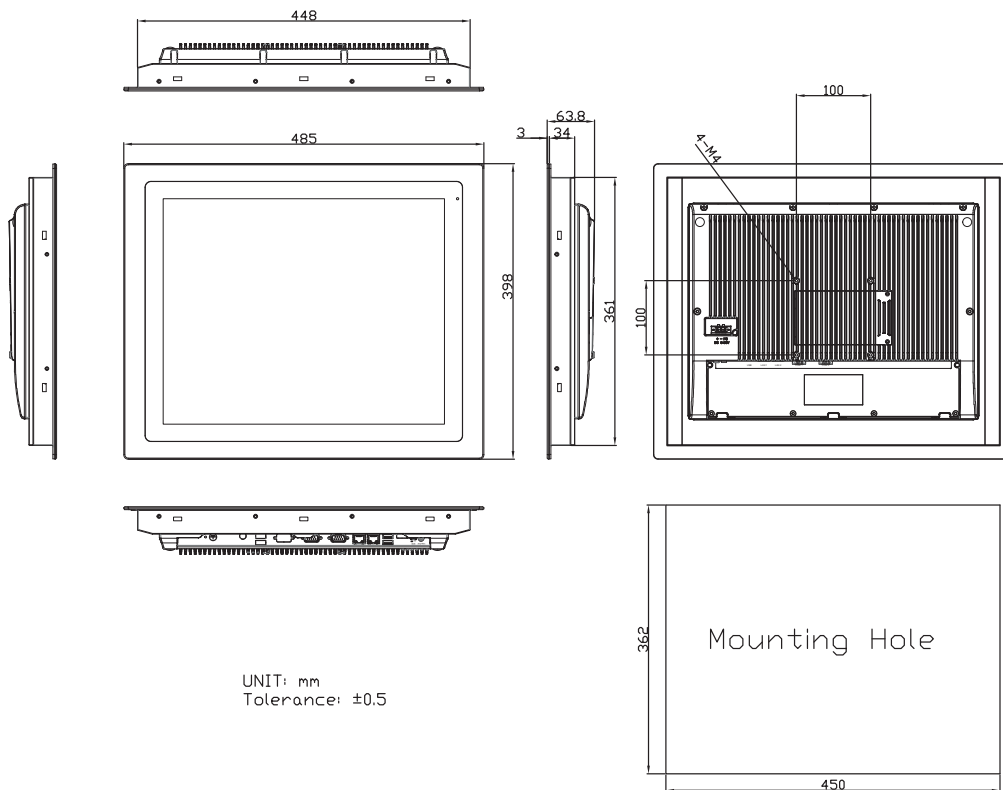
unit:mm

FABS-817P/G(H)



unit:mm

FABS-819P/G(H)

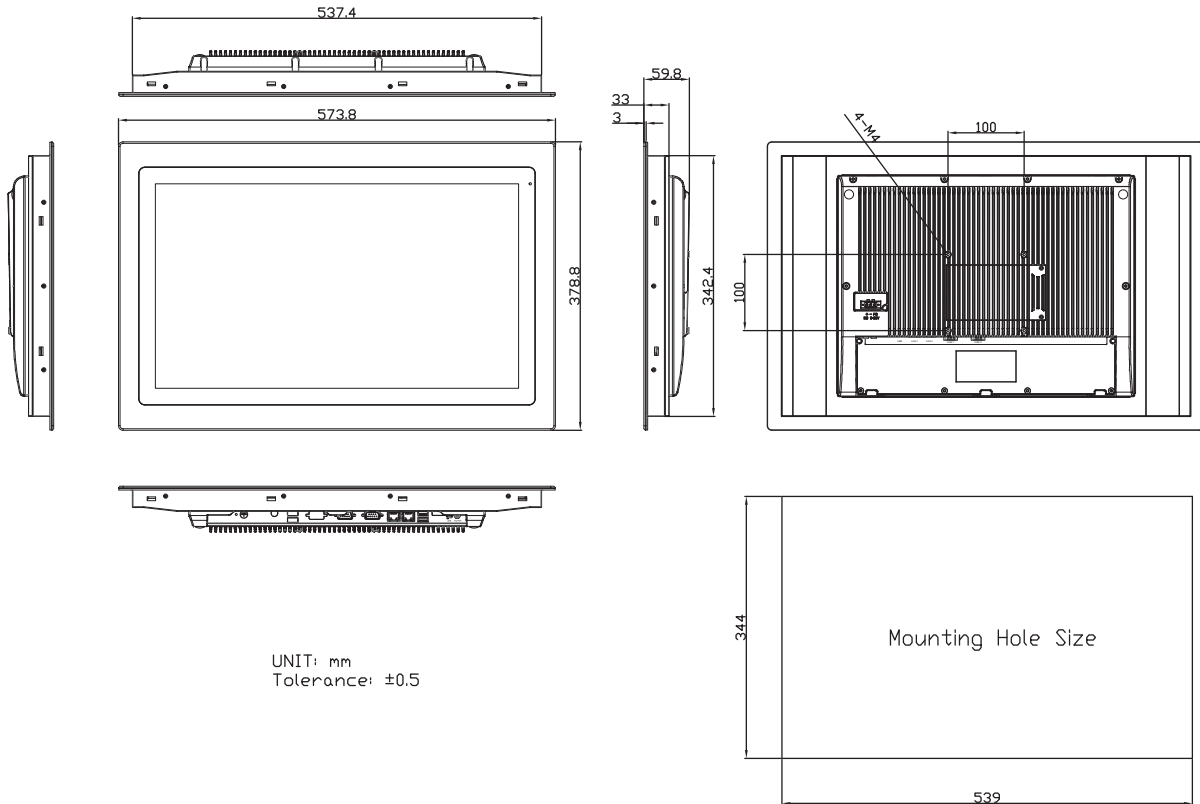


unit:mm

FABS-8XX(P)/(G)/H Series

Food Safety Grade and Hygienic Design HMI

FABS-821P/G(H)



unit:mm

Ordering information

Model NO.	Description
FABS-807P (Barebone)	7" WVGA fanless HMI barebone with Celeron N2930(1.83.GHz) CPU, 4GB DDR3L RAM, Projected Capacitive touch, 9~36VDC input with adapter, Stainless front bezel and Aluminum chassis.
FABS-810P (Barebone)	10.1" WXGA fanless HMI barebone with Celeron N2930(1.83.GHz) CPU, 4GB DDR3L RAM, Projected Capacitive touch,, 9~36VDC input with adapter, Stainless front bezel and Aluminum chassis.
FASB-812P (Barebone)	12.1" SVGA fanless HMI barebone with Celeron N2930(1.83.GHz) CPU, 4GB DDR3L RAM, Projected Capacitive touch,, 9~36VDC input with adapter, Stainless front bezel and Aluminum chassis.
FABS-815P (Barebone)	15" XGA fanless HMI barebone with Celeron N2930(1.83.GHz) CPU, 4GB DDR3L RAM, Projected Capacitive touch,, 9~36VDC input with adapter, Stainless front bezel and Aluminum chassis.
FABS-817P (Barebone)	17" SXGA fanless HMI barebone with Celeron N2930(1.83.GHz) CPU, 4GB DDR3L RAM, Projected Capacitive touch,, 9~36VDC input with adapter, Stainless front bezel and Aluminum chassis.
FABS-819P (Barebone)	19" SXGA fanless HMI barebone with Intel Celeron N2930(1.83.GHz) CPU, 4GB DDR3L RAM, Projected Capacitive touch,, 9~36VDC input with adapter, Stainless front bezel and Aluminum chassis.
FABS-821P (Barebone)	21.5" FHD fanless HMI barebone with Celeron N2930(1.83.GHz) CPU, 4GB DDR3L RAM, Projected Capacitive touch,, 9~36VDC input with adapter, Stainless front bezel and Aluminum chassis.
FABS-807G (Barebone)	7" WVGA fanless HMI barebone with Celeron N2930 (1.83.GHz) CPU,4GB DDR3L RAM, Protection Glass, 9~36V DC input with adapter, Stainless front bezel and Aluminum chassis.
FABS-810G (Barebone)	10.1" WXGA fanless HMI barebone with Celeron N2930 (1.83.GHz) CPU, 4GB DDR3L RAM, Protection Glass, 9~36V DC input with adapter, Stainless front bezel and Aluminum chassis.
FABS-812G (Barebone)	12.1" SVGA/ XGA fanless HMI barebone with Celeron N2930 (1.83.GHz) CPU, 4GB DDR3L RAM, Protection Glass, 9~36V DC input with adapter, Stainless front bezel and Aluminum chassis.
FABS-815G (Barebone)	15" XGA fanless HMI barebone with Celeron N2930 (1.83.GHz) CPU, 4GB DDR3L RAM, Protection Glass, 9~36V DC input with adapter, Stainless front bezel and Aluminum chassis.
FABS-817G (Barebone)	17" SXGA fanless HMI barebone with Celeron N2930 (1.83.GHz) CPU, 4GB DDR3L RAM, Protection Glass, 9~36V DC input with adapter, Stainless front bezel and Aluminum chassis.
FABS-819G (Barebone)	19" SXGA fanless HMI barebone with Celeron N2930 (1.83.GHz) CPU, 4GB DDR3L RAM, Protection Glass, 9~36V DC input with adapter, Stainless front bezel and Aluminum chassis.
FABS-821G (Barebone)	21.5" FHD fanless HMI barebone with Celeron N2930 (1.83.GHz) CPU, 4GB DDR3L RAM, Protection Glass, 9~36V DC input with adapter, Stainless front bezel and Aluminum chassis.

Box PC

TiTAN/ACS Product Line

APLEX Box PC, combining with IIoT, optimizes the real-time computing, perfectly stabilizing the connectivity of H2M/HMI/SCADA system. These product lines bring superior performance, expansibility and multi-tasking capability.

APLEX's Box PCs are primarily designed for industrial or special applications usage. To deal with different applications, the Box PCs can be mounted via wall mount and din rail mount. Our Box PCs are capable of handling a wide range of DC voltage input and wide operating temperature; Fanless design with shock resistant and excellent cooling system. To meet your needs in different applications and services, PCI/PCIe expansion slots can be selected to better monitor your application.





Model Name	ACS-2332	ACS-2330	ACS-2320	ACS-2320A
CPU	Intel 6 th Gen. Core i3/i5/i7	Intel 6 th Gen. Core i3/i5/i7	Intel 4 th Gen. Core i3/i5/i7	Intel 6 th Gen. Core i3/i5/i7
Memory	2 x DDR4 SO-DIMM	2 x DDR4 SO-DIMM	4GB DDR3L Onboard	1 x DDR4 SO-DIMM
Motherboard	SBC-7113	SBC-7113	SBC-7110	SBC-7114
Fanless	Yes	Yes	Yes	Yes
PCI expansion	1 x PCIe x4 or 2 x PCIe x1	No	No	No
PCIe expansion	Yes	No	No	No
Dual Display	Yes	Yes	Yes	Yes
HDD Space	2 x 2.5"	2 x 2.5"	1 x 2.5"	1 x 2.5"
Optional DVD	No	No	No	No
Din rail mounting	No	Option	No	No
IP rating	IP20	IP20	IP30	IP30

Model Name	ACS-2312	ACS-2311	ACS-2310	ACS-2180	ACS-2563
CPU	Intel Celeron N2930	Intel Celeron N2930	Intel Celeron N2930	Intel 4 th Gen. Core i3/i5/i7	Intel Atom D2550
Memory	2 x DDR3L SO-DIMM	1 x DDR3L SO-DIMM	1 x DDR3L SO-DIMM	4GB DDR3L Onboard	4GB DDR3 Onboard
Motherboard	ASB-M7102	SBC-7116	SBC-7116	SBC-7110	ECB-09 + CT25
Fanless	Yes	Yes	Yes	Yes	Yes
PCI expansion	No	No	No	No	No
PCIe expansion	Yes	No	No	No	No
Dual Display	Yes	Yes	Yes	Yes	Yes
HDD Space	1 x 2.5"	1 x 2.5"	1 x 2.5"	1 x 2.5"	1 x 2.5"
Optional DVD	No	No	No	No	No
Option AC in	No	No	No	No	No
Din rail mounting	No	Option	No	No	No
IP rating	IP20	IP30	IP30	IP20	IP20

Model Name	ACS-2170	ACS-2160	AEx-2411	AEx-2410	ACS-2702A
CPU	Intel Celeron N2930	Intel Atom D2550	Intel 6 th Gen. Core i3/i5	Intel Celeron N2930	Intel Baytrail N2930
Memory	2GB DDR3L Onboard (4GB for Option)	2GB DDR3 Onboard (4GB for Option)	1 x DDR4 SO-DIMM	4GB DDR3L Onboard	4GB DDR3L Onboard
Motherboard	SBC-7111	BC-7106S	SBC-7114	SBC-7111	SBC-7111
Fanless	Yes	Yes	Yes	Yes	Yes
PCI expansion	No	No	No	No	No
PCIe expansion	No	No	No	No	No
Dual Display	Yes	Yes	No	No	No
HDD Space	1 x 2.5"	1 x 1.8"	1 x 2.5"	1 x 2.5"	1 x 2.5"
Optional DVD	No	No	No	No	No
Option AC in	No	No	No	No	No
Din rail mounting	Option	Option	No	No	No
IP rating	IP20	IP20	IP66	IP66	IP67

TITAN

Industrial Rugged Box PC

High Bandwidth PCI Express Link for Speed and Expandability

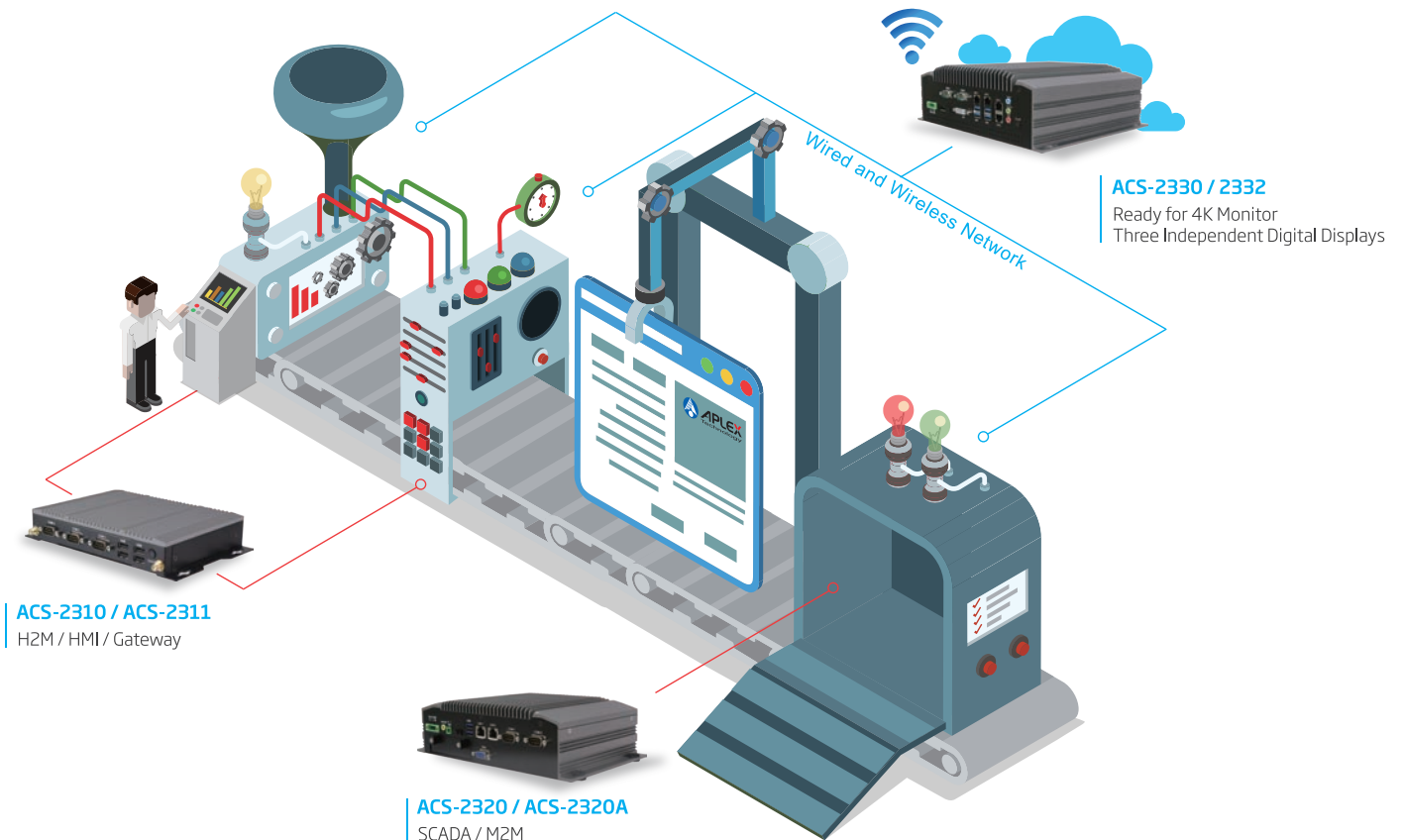


Automation Products Leading **EX**pert

TITAN Series

TITAN Series, our clever Box PC, perfectly gates the connectivity for H2M/HMI/SCADA systems. As Industry 4.0 goes with Smart Factory, TiTAN Series provides the solutions which enable customers to keep up with the revolution; it not only enables the automation of production lines, it also enhances their performance by the use of IIoT Technology. The TiTAN Series has rich I/O ports and diversified expandability, it is designed to manage and to collect information, processing on site or uploaded via Internet to the back-end.

The Smart Factory intelligent monitoring is illustrated as below:



► Product Selection

Ultra-Compact Low Power

ACS-2310 / ACS-2311

Intel Celeron Processor N2930

- Signage Board
- MES/HMI
- H2M/M2M
- Thin Client/Controller
- Production Andon System
- IIoT Gateway



Multi-tasking Capability

ACS-2320 / ACS-2320A

4th Gen Intel Core i3/i5/i7
6th Gen Intel Core i3/i5/i7

- Signage Board (FHD)
- MES/HMI
- Kiosk/LIMS
- Industrial Controller
- Motion Control
- Data Server



High Performance Expandable

ACS-2330 / ACS-2332

6th Gen Intel Core i3/i5/i7
7th Gen Intel Core i3/i5/i7

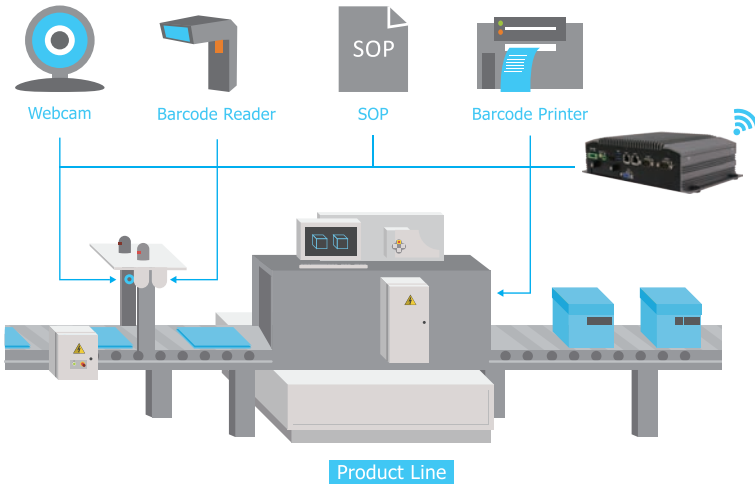
- Signage Board (4K)
- SCADA
- Robotic Control
- Motion Control
- Surveillance System
- Machine Vision



ACS-2310 / ACS-2311

Space Saving Solution

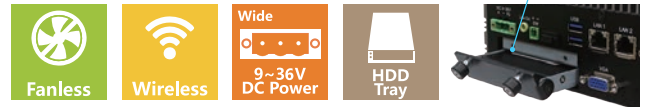
- Onboard Intel Celeron Processor N2930(1.83GHz)
- Fanless Design
- 1 x 204-pin SO-DIMM slot up to 8GB DDR3L 1333MHz
- Wide range DC 9~36V power input
- 1 x 2.5" SATA2 HDD Space



ACS-2320 / ACS-2320A

Easy Accessible Storage Design

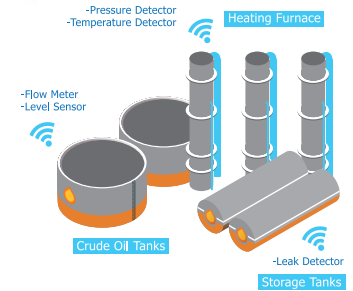
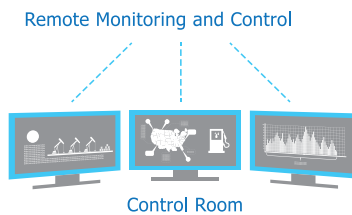
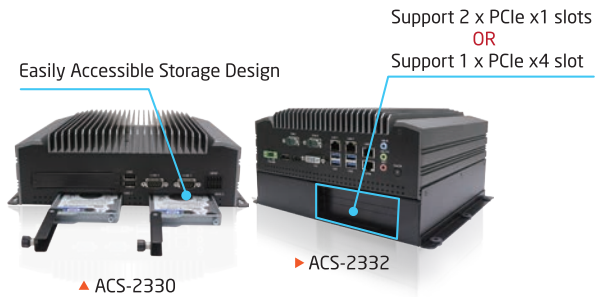
- Intel 4th Gen. Core i3/i5 CPU for ACS-2320
- Intel 6th Gen. Core i3/i5/i7 for ACS-2320A
- Fanless Design
- Onboard 4GB DDR3L 1600MHz SDRAM for ACS-2320
- 1 x 260-pin SO-DIMM slot, up to 16GB DDR4 2133MHz for ACS-2320A
- Wide range DC 9~36V power input
- 1 x 2.5" SATA3 HDD space



ACS-2330 / ACS-2332

Advanced Control Center

- Intel 6th/7th Gen. Skylake Core i3/i5/i7 CPU
- 2 x 260-pin SO-DIMM slot, up to 32GB DDR4 1866/2133MHz
- Multi-Expansion slot
- Support 2 x PCIe slot (Only for ACS-2332)
- Wide range DC 9~36V power input
- Easy accessible storage design



Intel skylake Extreme Performance Computing Power

- 3 Independent Digital Displays
- Display Resolution up to 4096*2304
- Camera ISP Integration
- Chipset Compatibility : 40% more High-Speed I/O
- Built on 14 nm Process
- Increased IA Performance and Faster Graphics
- DDR4 Support


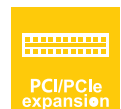





ACS-2332

I/O Expandable Fanless Box PC

6th/7th Gen. Intel® Core™ Platform

- Socket H4,6th/7th Gen Intel Core Processor
- Triple Independent Display Ports
- Fanless Design
- Wide Range DC 9~36V Power Input
- Multi-Expansion slot, Support 2 x PCIe slot

 Fanless	 PCI/PCIe expansion	 Wide 9~36V DC Power
 Wide Temp Option	 0~50°C	

Socket H4,6th/7th Gen.
Intel Core Processor



Fanless Design



Wide Range DC 9~36V
Power Input



Multi-Expansion Slot



Easy Accessible Storage
Design





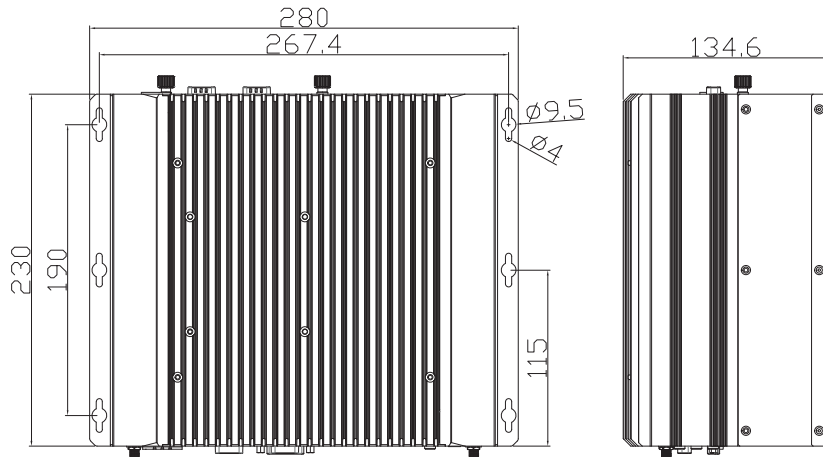
Specifications

Model Name	ACS-2332
System	
Processor	Socket H4,6th/7th Gen Intel Core Processor
System Chipset	Intel 100 Series Chipset (H170 Default)
System Memory	2 x 260-pin SO-DIMM up to 32GB DDR4 2133 MHz
External I/O	
USB	4 x USB 3.0 type A 2 x USB 2.0 type A
Serial/Parallel	2 x RS-232 DB9, (COM3/COM4) 2 x RS-232/422/485 DB9, (COM1/COM2), default RS-232
LAN	4 x GbE LAN RJ-45
Graph	1 x Display port, 1 x DVI-I, 1x HDMI
Audio	1 x Line-in, 1 x Line-out, 1 x Mic
Digital I/O	1 x 8-bit GPIO (4 x DI, 4 x DO)
Power connector	1 x 3-pin terminal block connector 1 x Power button with light
Storage Space	
HDD	2 x 2.5" SATA3 HDD bay (Easy Accessible), Support RAID 0,1 1 x mSATA
Expansion	
Onboard expansion bus	3 x Mini PCIe slot (full size), one shared with mSATA
Expansion slot	2 x PCIe slot via TB-554 Riser Card Support 2 x PCIe x1 slots(Default) Support 1 x PCIe x4 slot(option)
Power	
Power input	DC 9~36V
Power Consumption	Max:60.4W
Mechanical	
Construction	Plating Titanium Gray Aluminum Heatsink and Black Steel Chassis
IP rating	IP20
Mounting	Wall mount
Dimension(mm)	280 x 230 x 134.6
Net weight(Kg)	5.6
Environment	
Operating temperature(°C)	0~50 (-20~60 for option)
Storage temperature(°C)	-40~85
Humidity	10 to 95% @ 40°C, non- condensing
Certification	CE/FCC Class A
Operating System Support	
Windows Embedded 8.1 Industry Pro, WE8S Win 10 IoT 2016	

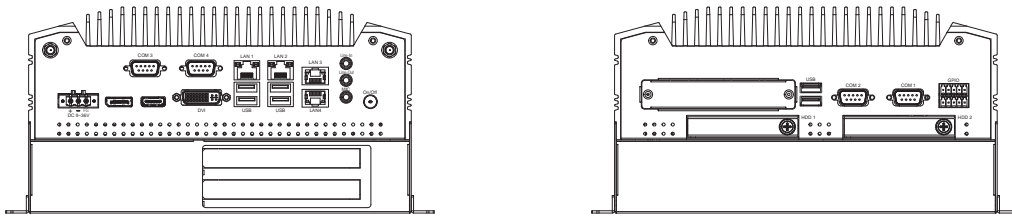
ACS-2332

I/O Expandable Fanless Box PC

ACS-2332



UNIT: mm
Tolerance: ±0.5



unit:mm

Ordering information

Model NO.	Description
ACS-2332 (Barebone)	Fanless Box PC, Intel® 6 th /7 th Core™ CPU, 2 x SO-DIMM DDR4 slots, 2 x 2.5" HDD spaces, 3 x mini-PCIe slots, 2 x PCIe x1 slots or 1 x PCIe x4 slot, DC 9~36V power input with adapter, Steel Chassis with Aluminum Heatsink





ACS-2330

I/O Expandable Fanless Box PC

6th/7th Gen. Intel® Core™ Platform

- Socket H4,6th/7th Gen Intel Core Processor
- Triple Independent Display Ports
- Fanless Design
- Wide Range DC 9~36V Power Input

 Fanless	 PCI/PCIe expansion	 Wide 9~36V DC Power
 Wide Temp Option	 0~50°C	

Socket H4,6th/7th Gen Intel Core Processor



Fanless Design



Wide Range DC 9~36V Power Input



Triple Independent Display Ports



Easy Accessible Storage Design



ACS-2330

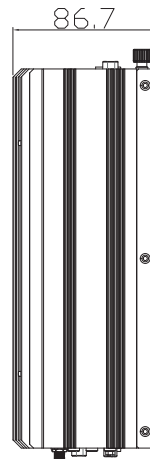
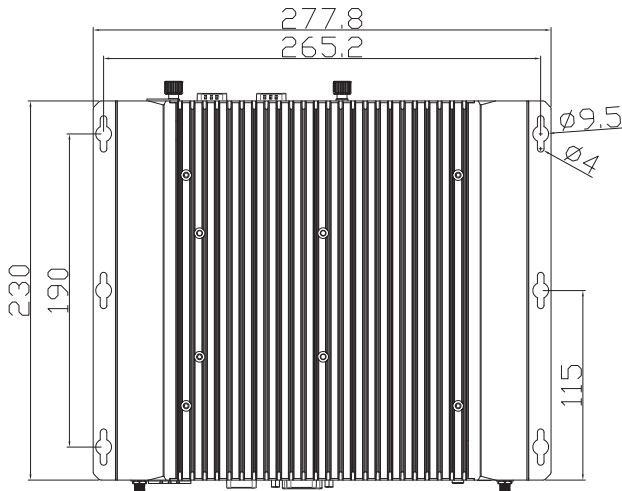
I/O Expandable Fanless Box PC



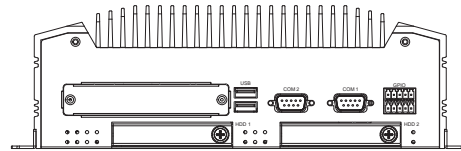
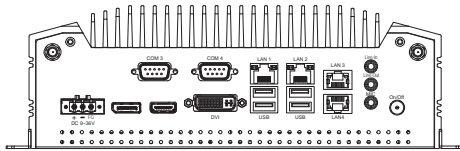
Specifications

Model Name	ACS-2330
System	
Processor	Socket H4, 6th/7th Gen Intel Core Processor
System Chipset	Intel 100 Series Chipset (H170 Default)
System Memory	2 x 260-pin SO-DIMM DDR4 1866/2133 MHz, up to 32GB
External I/O	
USB	4 x USB 3.0 type A 2 x USB 2.0 type A
Serial/Parallel	2 x RS-232 DB9, (COM3/COM4) 2 x RS-232/422/485 DB9 (COM1/COM2), default RS-232
LAN	4 x GbE LAN RJ-45
Graph	1 x Display port, 1 x DVI-I, 1x HDMI
Audio	1 x Line-in, 1 x Line-out, 1 x Mic
Digital I/O	1 x 8-bit GPIO (4 x DI, 4 x DO)
Power connector	1 x 3-pin terminal block connector 1 x Power button with light
Storage Space	
HDD	2 x 2.5" SATA3 HDD bay (Easy Accessible), Support RAID 0,1 1 x mSATA
Expansion	
Onboard expansion bus	3 x Mini PCIe slot (full size), one shared with mSATA
Expansion slot	None
Power	
Power input	DC 9~36V
Power Consumption	Max:56.3W
Mechanical	
Construction	Plating Titanium Gray Aluminum Heatsink and Black Steel Chassis
IP rating	IP20
Mounting	Wall mount, Din Rail Mount(option)
Dimension(mm)	277.8 x 230 x 86.7
Net weight(Kg)	4.5
Environment	
Operating temperature(°C)	0~50 (-20~60 for option)
Storage temperature(°C)	-30~70
Humidity	10 to 95% @ 40°C, non- condensing
Certification	CE/FCC Class A
Operating System Support	
Windows Embedded 8.1 Industry Pro, WE8S Win 10 IoT 2016	

ACS-2330



UNIT: mm
Tolerance: ± 0.5



unit:mm

Ordering information

Model NO.	Description
ACS-2330 (Barebone)	Fanless Box PC, Intel® 6 th /7 th Core™ CPU, 2 x SO-DIMM DDR4 slots, 2 x 2.5" HDD spaces, 3 x mini-PCIe slots, DC 9~36V power input with adapter, Steel Chassis with Aluminum Heatsink

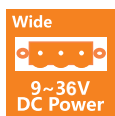


ACS-2320 ACS-2320A

I/O Expandable Fanless Box PC

Intel® Haswell/Skylake-U Platform

- ACS-2320- Intel® 4th Gen. Core™ i3/i5 CPU Built-in
- ACS-2320A- Intel® 6th Gen. Core i3/i5/i7 CPU Built-in
- Fanless Design
- Wide Range DC 9~36V Power Input
- Multi-Expansion Slot



Intel® Haswell/Skylake-U Platform



Fanless Design



Wide Range DC 9~36V Power Input

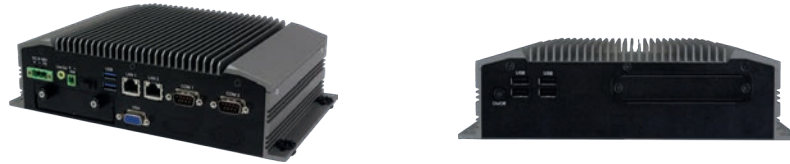


Multi-Expansion Slot



Easy Accessible Storage Design





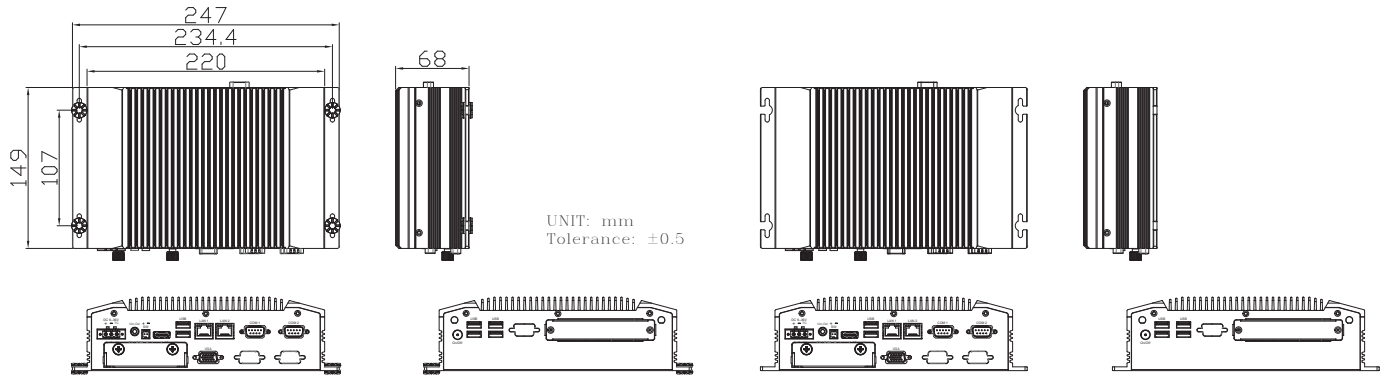
Specifications

Model Name	ACS-2320A	ACS-2320
System		
Processor	Onboard 6th Generation Intel Core i7-6600U(4M Cache,2.60 GHz), i5-6300U(3M Cache,2.30 GHz), i3-6100U Processor(3M Cache,2.30 GHz)	4th Generation Intel Core i5-4300U Processor (3M Cache, 1.90 GHz) Intel Core i3-4010U Processor (3M Cache, 1.70 GHz)
System Chipset	SoC	
System Memory	1 x 260-pin SO-DIMM up to 16GB DDR4 2133MHz	Onboard 4GB DDR3L SDRAM
External I/O		
USB	4 x USB 2.0 type A 2 x USB 3.0 type A	
Serial/Parallel	1 x DB9 RS-232/422/485 (COM1), default RS-232 1 x RS-232 DB9, (COM2)	
LAN	2 x GbE LAN RJ-45	
Graph	1 x VGA 1 x HDMI	
Audio	1 x Line-out	
Digital I/O	None	
Power connector	1 x 3-pin terminal block connector 1 x Power button with light	
Storage Space		
HDD	1 x 2.5" SATA3 HDD Bay(Easy Accessible)	
Expansion		
Onboard expansion bus	1x mini PCIe slot(full size)	
Expansion slot	None	
Power		
Power input	DC 9~36V	
Power Consumption	Max: 42.8W	Max:26W
Mechanical		
Construction	Plating Titanium Gray Aluminum Heatsink and Black Steel Chassis	
IP rating	IP30	
Mounting	Wall mount	
Dimension(mm)	247.6 x 149.8 x 68.6	
Net weight(Kg)	2.5	
Environment		
Operating temperature(°C)	0~50 (-20~60 for option)	
Storage temperature(°C)	-30~70	
Humidity	10 to 95% @ 40°C, non- condensing	
Certification	CE/FCC Class A	
Operating System Support		
Windows 7 Pro for Embedded Windows Embedded Standard 7 Windows Embedded 8.1 Industry Pro Windows Embedded 8 Standard Windows 10 IoT ENT LTSB		

ACS-2320/ACS-2320A

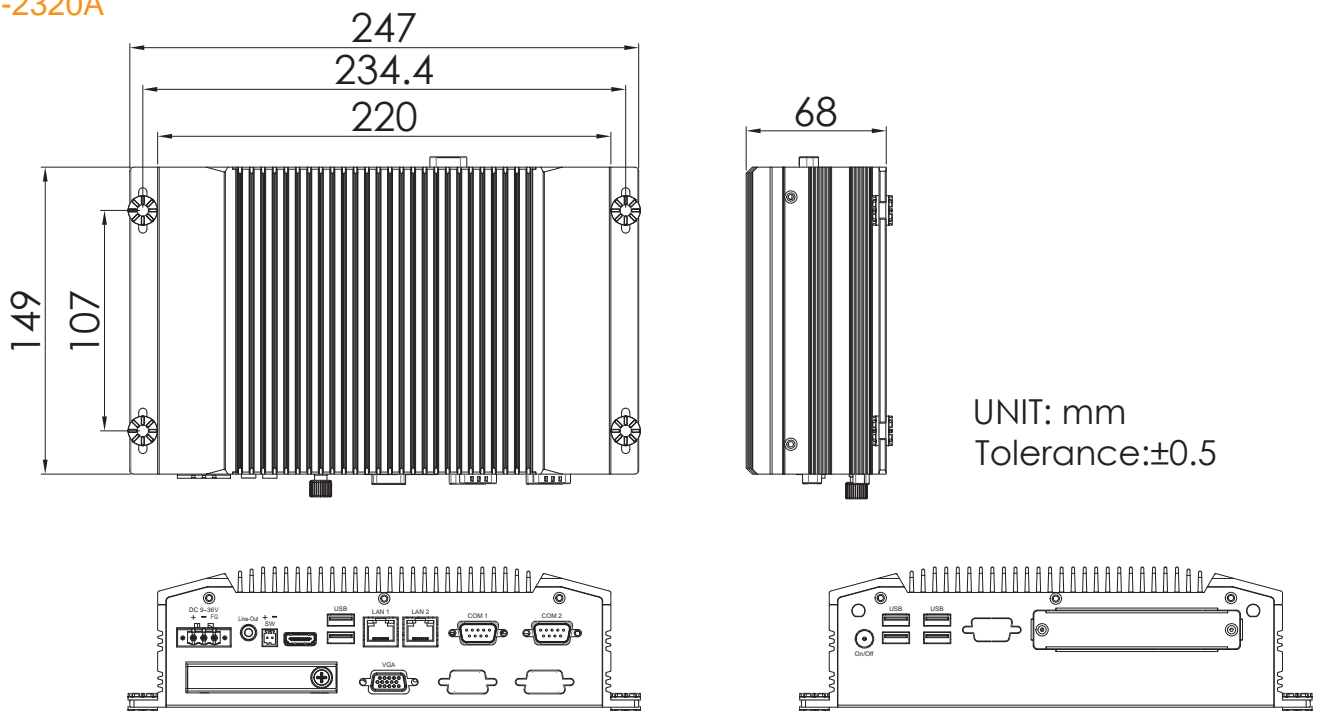
I/O Expandable Fanless Box PC

ACS-2320



unit:mm

ACS-2320A



unit:mm

Ordering information

Model NO.	Description
ACS-2320(Barebone)	Fanless Box PC, Intel® 4 th Core™ i3-4010U, onboard 4GB DDR3L SDRAM, mini-PCIe slot full size, DC 9~36V power input with adapter, Steel Chassis with Aluminum Heatsink
ACS-2320A (Barebone)	Fanless Box PC, Intel® 6 th Core™ i3-6100U, 1 x SO-DIMM DDR4 slot, 1 x mini-PCIe slot full size, DC 9~36V power input with Adapter, Steel Chassis with Aluminum Heatsink



ACS-2312

I/O Expandable Fanless Box PC

Rich I/O Connections & High Expansibility Box PC

- Intel® Celeron® Processor N2930 1.83GHz
- Fanless Design
- Wide Range DC 9~36V Power Input
- Easy Accessible Storage Design
- High Expansibility: 2 x PCIe x1 Slots

 Fanless	 PCI/PCIe expansion	 Wide 9~36V DC Power
 Wide Temp Option	 0~50°C	

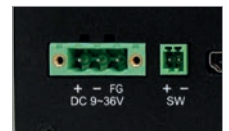
Intel® Celeron® Processor N2930 1.83GHz



Fanless Design



Wide Range DC 9~36V Power Input



High Expansibility: 2 x PCIe x1 Slots



Easy Accessible Storage Design



ACS-2312

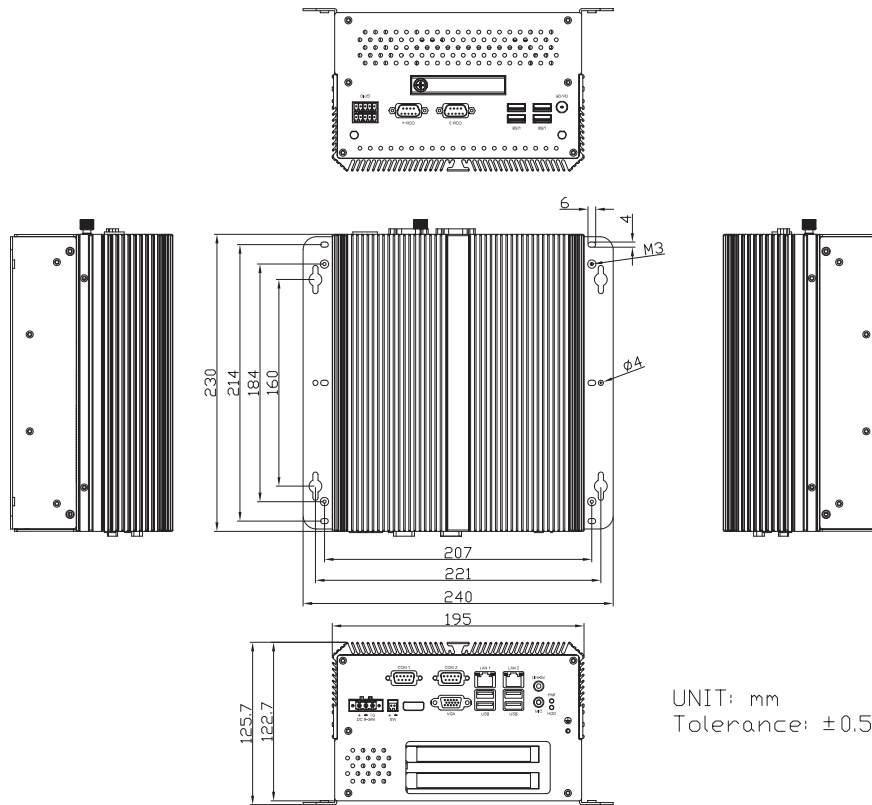
I/O Expandable Fanless Box PC



Specifications

Model Name	ACS-2312
System	
Processor	Onboard Intel Celeron N2930 Processor (2M Cache,1.83GHz)
System Chipset	SoC
System Memory	2 x 204-pin SO-DIMM up to 8GB DDR3L 1333MHz
External I/O	
USB	4 x USB 3.0 type A 4 x USB 2.0 type A
Serial/Parallel	1 x RS-232/422/485 DB-9(COM1), default RS-232 2 x RS-232 DB-9 (COM2, COM4) 1 x RS-422/485 DB-9(COM3), default RS-422
LAN	2 x GbE LAN RJ-45
Graph	1 x VGA, 1 x HDMI
Audio	1 x Line-out, 1 x Mic-in
Digital I/O	1 x 8-bit GPIO (4 x DI, 4 x DO)
Power connector	1 x 3-pin terminal block connector 1 x 2-pin power switch 1 x power button with light
Storage Space	
HDD	1 x 2.5" SATA2 HDD bay (Easy Accessible)
Expansion	
Onboard expansion bus	1 x Mini-PCIe slot full size (USB2.0, LPC, SMBus Only, PCIe signal shared with riser expansion slot, selected by BIOS)
Expansion slot	2 x PCIe x1 slots
Power	
Power input	DC 9~36V
Power Consumption	Max: 22.4W
Mechanical	
Construction	Plating Titanium Gray Aluminum Heatsink and Black Steel Chassis
IP rating	IP20
Mounting	Wall mount
Dimension(mm)	230 x 195 x 125.7
Net weight(Kg)	4.3
Environment	
Operating temperature(°C)	0~50 (-20~60 for option)
Storage temperature(°C)	-30~70
Humidity	10 to 95% @ 40°C, non- condensing
Certification	CE/FCC Class A
Operating System Support	
Windows 7 Pro for Embedded, Windows Embedded Standard 7, Windows Embedded 8.1 Industry Pro, Windows Embedded 8 Standard, Windows 10 IoT ENT 2016 LTSB Entry	

ACS-2312



UNIT: mm
Tolerance: ±0.5

unit:mm

Ordering information

Model NO.	Description
ACS-2312 (Barebone)	Fanless Box PC, Intel® Celeron® N2930 CPU, 2 x SO-DIMM DDR3L 1333MHz slot, up to 8GB, 1 x mini-PCIe slot full size, DC 9~36V power input with Adapter, Steel Chassis with Alminum Heatsink

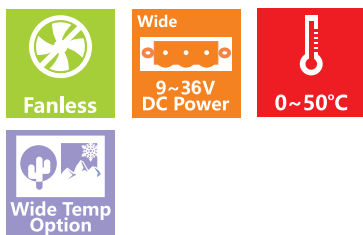


ACS-2311

Compact Size Fanless Box PC

Compact Size & Rich I/O Connections Box PC

- Intel® Celeron® Processor N2930 1.83GHz
- Compact Size Design
- Fanless Design
- Wide Range DC 9~36V Power Input



Intel® Celeron® Processor N2930 1.83GHz



Fanless Design



Wide Range DC 9~36V Power Input



All solid capacitors motherboard



Support Wide Temperature-20~60°C





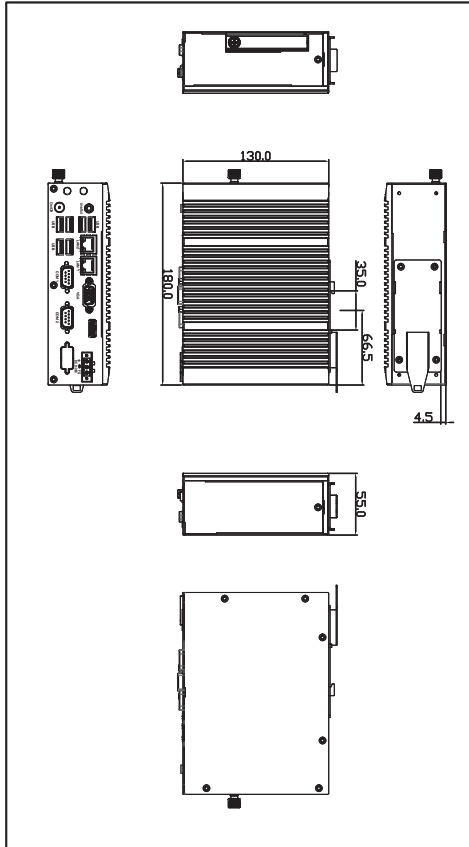
Specifications

Model Name	ACS-2311
System	
Processor	Intel® Celeron® Processor N2930 1.83GHz
System Chipset	SoC
System Memory	1 x SO-DIMM DDR3L 1333MHz, up to 8GB
External I/O	
USB	4 x USB 2.0 type A 2 x USB 3.0 type A
Serial/Parallel	1 x RS-232/422/485 DB9 (COM1), default RS-232 1 x RS-232 DB9 (COM2) 1 x RS-232 DB9 (COM3) (option, GPIO either one)
LAN	2 x GbE LAN RJ-45
Graph	1 x VGA 1 x HDMI
Audio	1 x Line-out
Digital I/O	1 x 8-bit GPIO (4 x DI, 4 x DO) (option, COM3 either one)
Power connector	1 x 3-pin terminal block connector 1 x power button with light
Storage Space	
HDD	1 x 2.5" SATA3 HDD bay (easy accessible)
Expansion	
Onboard expansion bus	2 x Mini-PCIe (full size) one shared with mSATA
Expansion slot	None
Power	
Power input	DC 9~36V
Power Consumption	Max:17W
Mechanical	
Construction	Plating Titanium Gray Aluminum Heatsink and Black Steel Chassis
IP rating	IP30
Mounting	Wall mount, Din Rail mount(option)
Dimension(mm)	180 x 130 x 55
Net weight(Kg)	1.3
Environment	
Operating temperature(°C)	0~50 / -20~60 (option)
Storage temperature(°C)	-30~70
Humidity	10 to 95% @ 40°C, non- condensing
Certification	CE/FCC Class A
Operating System Support	
Windows 7 Pro for Embedded, Windows Embedded Standard 7 Windows Embedded 8.1 Industry Pro, Windows Embedded 8 Standard Windows 10 IoT ENT 2016 LTSB Entry	

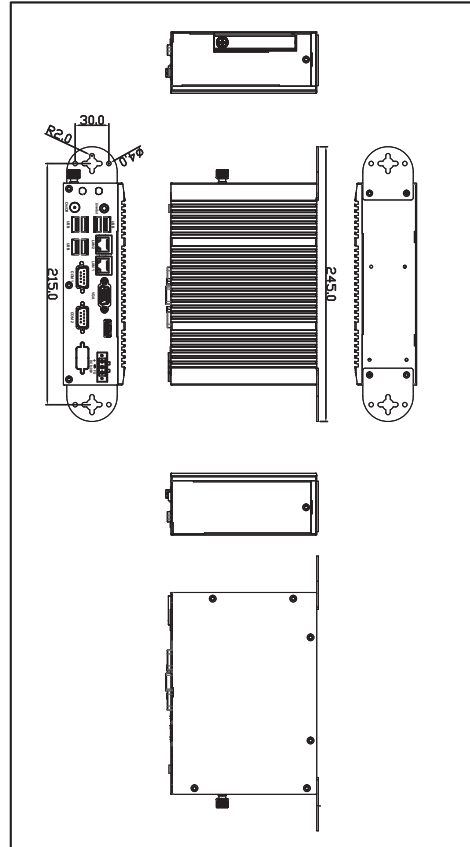
ACS-2311

Compact Size Fanless Box PC

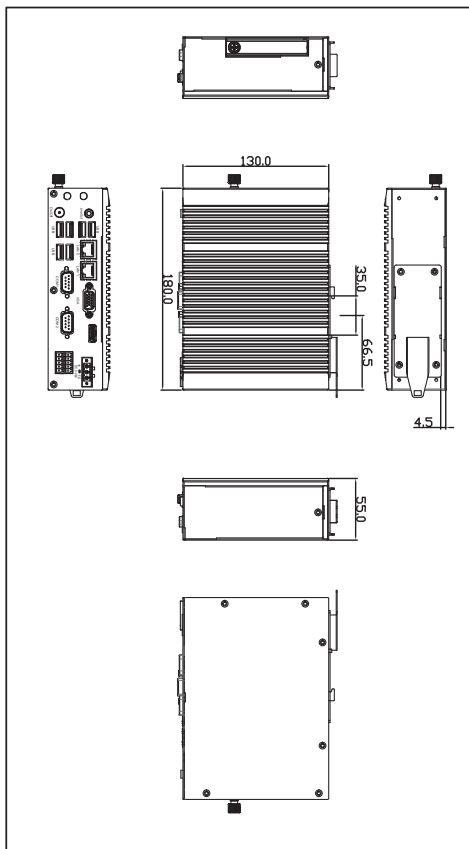
ACS-2311



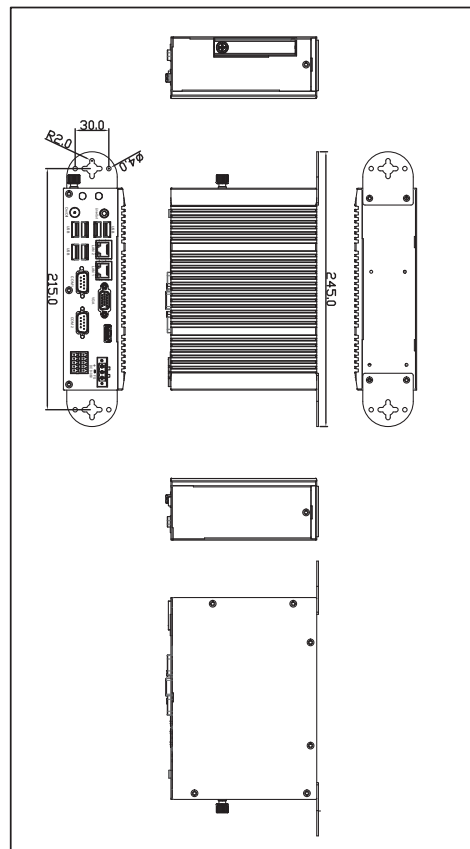
ACS-2311 _ DIN RAIL (COM 3 Options)



ACS-2311 _ WALL MOUNT (COM 3 Options)



ACS-2311 _ DIN RAIL (GPIO)



ACS-2311 _ WALL MOUNT (GPIO)

unit:mm

Ordering information

Model NO.	Description
ACS-2311 (Barebone)	Fanless Box PC, Intel Celeron N2930 CPU, 1 x SO-DIMM DDR3L 1333MHz, up to 8GB, 2 x mini-PCIe slot full size (one shared with mSATA), DC 9~36V power input with Adapter, Steel Chassis with Aluminum Heatsink



ACS-2310

Slim Size Fanless Box PC

Slim Size & Rich I/O Connections Box PC

- Intel® Celeron® Processor N2930 1.83GHz
- Ultra Slim Size
- Fanless Design
- Wide Range DC 9~36V Power Input



Intel® Celeron® Processor N2930 1.83GHz



Fanless Design



Wide Range DC 9~36V Power Input



All Solid Capacitors Motherboard



Ultra Slim Size



ACS-2310

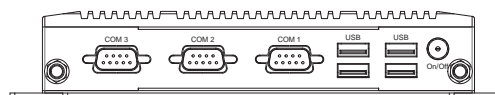
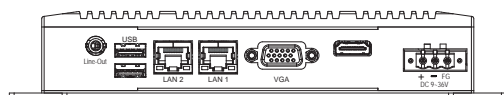
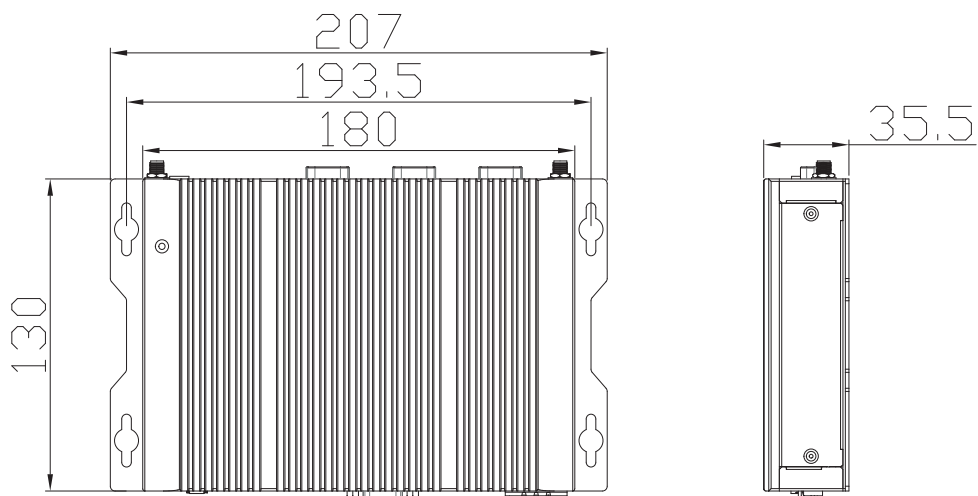
Slim Size Fanless Box PC



Specifications

Model Name	ACS-2310
System	
Processor	Intel® Celeron® Processor N2930 1.83GHz
System Chipset	SoC
System Memory	1 x SO-DIMM DDR3L 1333MHz, up to 8GB
External I/O	
USB	4 x USB 2.0 type A 2 x USB 3.0 type A
Serial/Parallel	1 x RS-232/422/485 DB-9, (COM1), default RS-232 2 x RS-232 DB-9, (COM2 and COM3)
LAN	2 x GbE LAN RJ-45
Graph	1 x VGA 1 x HDMI
Audio	1 x Line-out
Digital I/O	None
Power connector	1 x 3-pin terminal block connector 1 x power button with light
Storage Space	
HDD	1 x 2.5" SATA2 HDD bay
Expansion	
Onboard expansion bus	2 x Mini-PCIe (full size) one shared with mSATA
Expansion slot	None
Power	
Power input	DC 9~36V
Power Consumption	Max:16.1W
Mechanical	
Construction	Plating Titanium Gray Aluminum Heatsink and Black Steel Chassis
IP rating	IP30
Mounting	Wall mount
Dimension(mm)	207 x 130 x 35.5
Net weight(Kg)	1.0
Environment	
Operating temperature(°C)	0~50 / -20~60 (option)
Storage temperature(°C)	-30~70
Humidity	10 to 95% @ 40°C, non- condensing
Certification	CE/FCC Class A
Operating System Support	
Windows 7 Pro for Embedded, Windows Embedded Standard 7 Windows Embedded 8.1 Industry Pro, Windows Embedded 8 Standard Windows 10 IoT ENT 2016 LTSB Entry	

ACS-2310



unit:mm

Ordering information

Model NO.	Description
ACS-2310(Barebone)	Fanless Box PC, Intel® Celeron® N2930 CPU, 1 x SO-DIMM DDR3L 1333MHz, up to 8GB, 2 x mini-PCIe slot full size (one shared with mSATA), DC 9~36V power input with Adapter, Steel Chassis with Aluminum Heatsink

Stainless Steel Panel PC

Industrial Panel PC

HMI

Embedded Box PC

Display


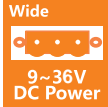


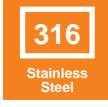


AEx-2410 AEx-2411

Stainless Steel Box PC for Hazardous Locations

ATEX/IECEX/C1D2 Certified Box PC

- Intel Celeron N2930 & Intel 6th Gen. Core i5/i3 Processors
- WLAN for Option
- Fanless Design
- Total IP66 Grade with M12 Waterproof connector
- Wide range DC 9~36V Power Input
- Support VESA & Wall mount

 <p>Fanless</p>	 <p>Wide 9~36V DC Power</p>	 <p>IP66 6 Sides</p>
 <p>-20~60°C</p>	 <p>316 Stainless Steel</p>	

SUS 316 Stainless steel



Total IP66 Grade
with M12 Waterproof
connector



Variety of IO applications



Wide range DC 9~36V
Power Input





Specifications

Model Name	AEx-2410
System	
Processor	Onboard Intel Celeron N2930 Processor(2M Cache,1.83GHz)
System Chipset	SoC
System Memory	Onboard 4GB DDR3L SDRAM Onboard 8GB DDR3L SDRAM (option)
External I/O	
USB	1 x M12 8-pin for 2 x USB 2.0 with waterproof cover and chain
Serial/Parallel	1 x M12 8-pin for COM1, RS-232/422/485, default RS-232, with waterproof cover and chain
LAN	2 x M12 8-pin for LAN with waterproof cover and chain
Graph	1 x M12 12-pin for VGA with waterproof cover and chain
Power connector	1 x M12 3-pin for DC power with waterproof cover and chain
Storage Space	
HDD	1 x 2.5" SATA3 HDD space
Movable device	1 x internal SD card slot onboard
Expansion	
Onboard expansion bus	1 x Mini-PCle slot (full size) for option WLAN/BT module
Power	
Power input	DC 9~36V
Power Consumption	Max: 15.9W
Mechanical	
Construction	316 stainless steel chassis
IP rating	Total IP66
Mounting	VESA mount 100 x 100, Wall mount
Dimension(mm)	334 x 195 x 38.5
Net weight(Kg)	4.0
Environment	
Operating temperature(°C)	-20~60
Storage temperature(°C)	-30~70
Humidity	10 to 95% @ 40°C, non- condensing
Safety	Meet CSA C22.2 No.61010
Certification	Meet CE / FCC Class A ATEX Zone2 Ex nA ic IIC T4 Gc Class I, Division 2, Group ABCD T4 ANSI/ISA 12.12.01-2013 CSA Std. C22.2 No213-M1987
Operating System Support	
Windows 7 Pro for Embedded Windows Embedded Standard 7 Windows Embedded 8.1 Industry Pro Windows Embedded 8 Standard Windows 10 IoT ENT LTSC	

Stainless Steel Panel PC

Industrial Panel PC

HMI

Embedded Box PC

Display

AEx-2410/AEx-2411

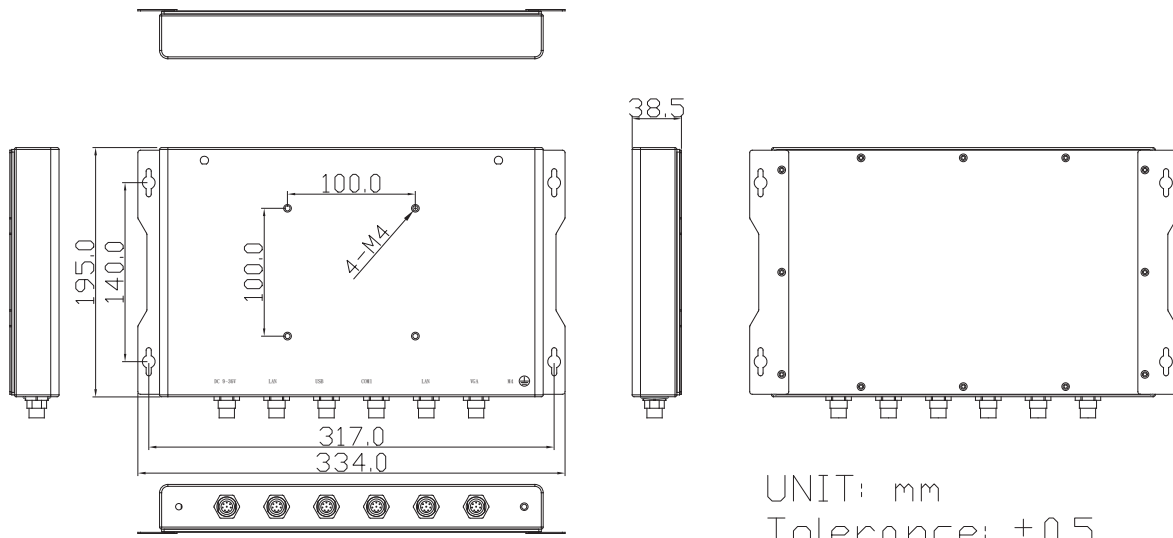
ATEX/IECEX/C1D2 Certified Box PC



Specifications

Model Name	AEx-2411
System	
Processor	Onboard 6th Gen Intel Core i7-6600U Processor(4M Cache,2.60 GHz) Intel Core i5-6200U Processor(3M Cache,2.30 GHz) Intel Core i3-6100U Processor(3M Cache,2.30 GHz)
System Chipset	SoC
System Memory	1 x 260-pin SO-DIMM up to 16GB DDR4 2133MHz
External I/O	
USB	1 x M12 8-pin for 2 x USB 2.0 with waterproof cover and chain
Serial/Parallel	1 x M12 8-pin for COM1, RS-232/422/485, default RS-232, with waterproof cover and chain
LAN	1 x M12 12-pin for VGA with waterproof cover and chain
Graph	2 x M12 8-pin for LAN with waterproof cover and chain
Power connector	1 x M12 3-pin for DC power with waterproof cover and chain
Storage Space	
HDD	1 x 2.5" SATA3 HDD space
Movable device	None
Expansion	
Onboard expansion bus	1 x Mini-PCIe slot (full size) for option WLAN/BT module
Power	
Power input	DC 9~36V
Power Consumption	Max: 45.7W
Mechanical	
Construction	316 Stainless Steel
IP rating	Total IP66
Mounting	VESA mount 100 x 100, Wall mount
Dimension(mm)	334 x 195 x 38.5
Net weight(Kg)	4.0
Environment	
Operating temperature(°C)	-20~60
Storage temperature(°C)	-30~70
Humidity	10 to 95% @ 40°C, non- condensing
Safety	Meet CSA C22.2 No.61010
Certification	Meet CE / FCC Class A ATEX Zone2 Ex nA ic IIC T4 Gc Class I, Division 2, Group ABCD T4 ANSI/ISA 12.12.01-2013 CSA Std. C22.2 No213-M1987
Operating System Support	
Windows 7 Pro for Embedded Windows Embedded Standard 7 Windows Embedded 8.1 Industry Pro Windows Embedded 8 Standard Windows 10 IoT ENT LTSB	

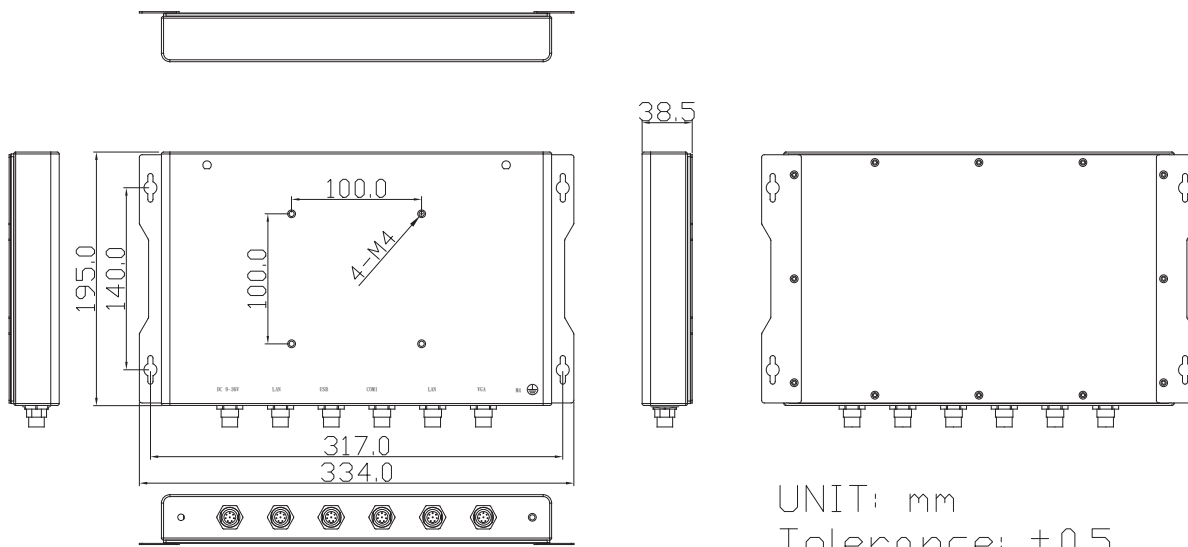
AEx-2410



UNIT: mm
Tolerance: ±0.5

unit:mm

AEX-2411



UNIT: mm
Tolerance: ±0.5

unit:mm

Ordering information

Model NO.	Description
AEX-2410	Fanless Box PC, Intel N2930 CPU, 4GB DDR3 RAM, VGA output, DC 9~36V power input, SS316
AEX-2411	Fanless Box PC, Intel 6 th Core i CPU, 1 x SO-DIMM DDR4 slots, VGA output, DC 9~36V power input, SS316

Ultra Slim Fanless BOX PC

A Space-saving **and**
Rich Connections BOX PC

ACS-2160
ACS-2170
ACS-2180

Features

- Intel Cedar trail/ Baytrail/ Haswell Platform
- Onboard 2GB/4GB DDR3(L) Memory
- Easy to Attach to Display by VESA 75 x 75 and 100 x 100
- Turns Your Display into Panel PC
- Ultra Slim Size Fanless Design






ACS-2180


Ultra Slim Fanless Box PC

Space-Saving and Rich Connections


- Intel® Haswell Platform
- Onboard 4GB DDR3L Memory
- Ultra Slim Size Fanless Design




Fanless



Wide
9~36V
DC Power



-20~60°C



Din Rail

Ultra slim size
Minimum 3.55cm



Fanless Design



Wide Range DC 9~36V
Power Input



Easy Accessible Storage
Design



Support Wide
Temperature-20~60°C



ACS-2180

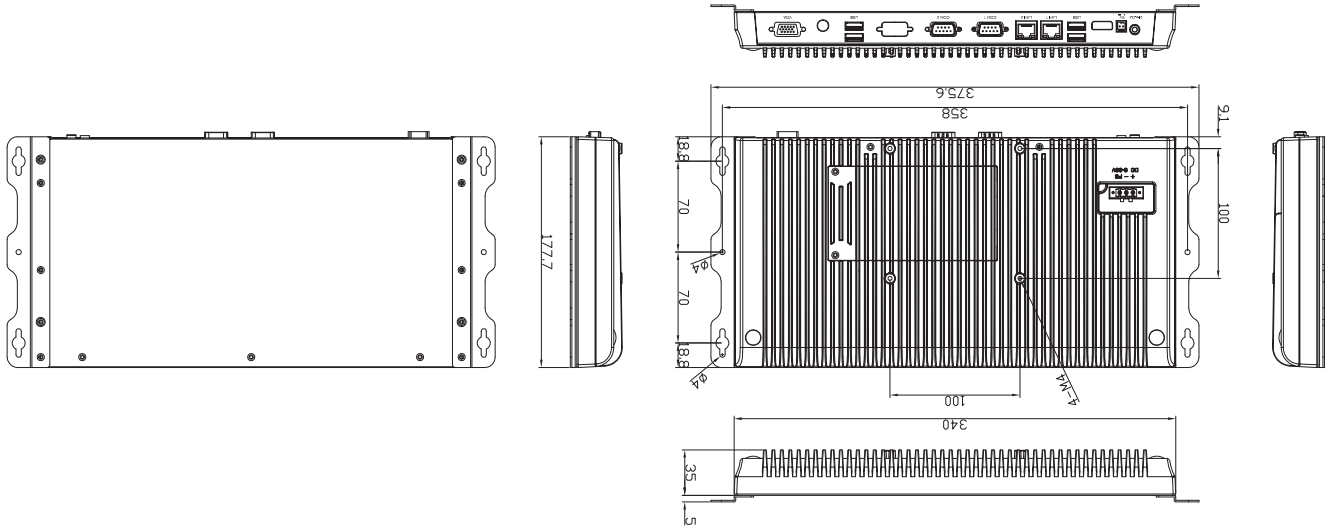
Ultra Slim Fanless Box PC



Specifications

Model Name	ACS-2180
System	
Processor	Intel® Haswell 4 th Gen. Core™ i3/i5 CPU
System Chipset	SoC
System Memory	Onboard 4GB DDR3L SDRAM
External I/O	
USB	2 x USB 2.0 type A 2 x USB 3.0 type A
Serial/Parallel	1 x RS-232/422/485 DB9, (COM1), Default RS-232 1 x RS-232 DB9, (COM2)
LAN	2 x GbE LAN RJ-45 by Intel 82574L
Graph	1 x VGA
Audio	1 x Line out phone jack
Digital I/O	None
Power connector	1 x 3-pin terminal block connector
Storage Space	
HDD	1 x 2.5" SATA3 HDD bay (Easy Accessible)
Expansion	
Onboard expansion bus	1 x mini PCIe slot (full Size)
Expansion slot	None
Power	
Power input	DC 9~36V
Power Consumption	Max:19.72W
Mechanical	
Construction	Aluminum chassis
IP rating	IP20
Mounting	Wall mount, VESA Mount 100x100, Din Rail mount(option)
Dimension(mm)	375.6 x 177.7 x 35.5
Net weight(Kg)	2.0
Environment	
Operating temperature(°C)	-20~60
Storage temperature(°C)	-40~85
Humidity	10 to 95% @ 40°C, non- condensing
Certification	CE/FCC Class A
Operating System Support	
Windows Embedded 8.1 Industry Pro, Windows 7 Pro for Embedded, WES 7, WE8S Windows 10 IoT 2016 LTSC Value	

ACS-2180



unit:mm

Ordering information

Model NO.	Description
ACS-2180-01	Fanless Box PC, Intel Core i3-4010U CPU,4GB DDR3L RAM onboard, 16G MLC SSD, mini-PCIe slot full size, 9~36 VDC power input with Adapter, Aluminum chassis



ACS-2170

Ultra Slim Fanless Box PC

Space-Saving and Rich Connections

- Intel Baytrail Platform
- Onboard 2GB/4GB DDR3L Memory
- Ultra Slim Size and Fanless Design
- Wide Range DC 9~36V Power Input



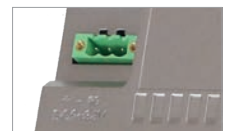
Support Din-rail Mounting



Fanless Design



Wide Range DC 9~36V Power Input



Easy Accessible Storage Design



Ultra Slim Size





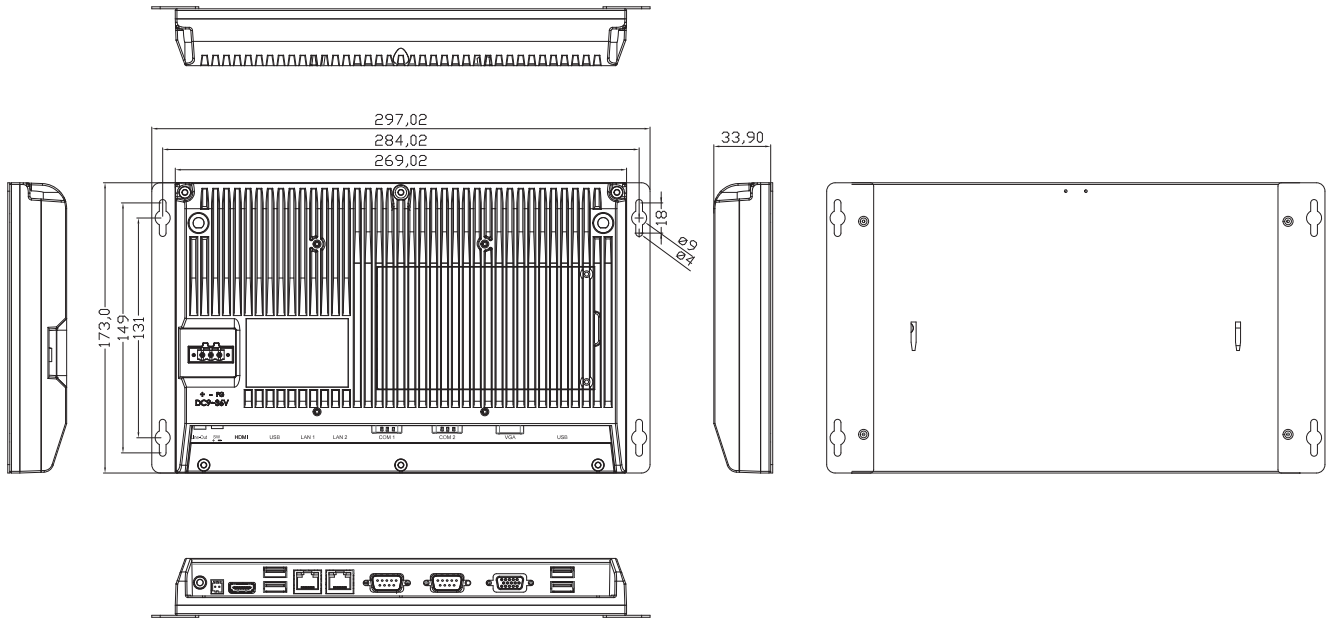
Specifications

Model Name	ACS-2170
System	
Processor	Intel Celeron N2930 1.83GHz Processor
System Chipset	SoC
System Memory	Onboard 2GB DDR3L 1600MHz, (4GB Option)
External I/O	
USB	3 x USB 2.0 type A 1 x USB 3.0 type A
Serial/Parallel	1 x RS-232 DB9, (COM2) 1 x RS-232/422/485, DB9 (COM1), Default RS-232
LAN	2 x GbE LAN RJ-45 by Intel 82574L
Graph	1 x VGA
Audio	1 x Line-out
Digital I/O	None
Power connector	1 x 3-pin terminal block connector 1 x 2-pin power switch connector
Storage Space	
HDD	1 x 2.5" SATA2 HDD bay (Easy Accessible)
Movable device	1 x SD card slot, up to 32GB
Expansion	
Onboard expansion bus	1 x mini PCIe slot (full Size)
Expansion slot	None
Power	
Power input	DC 9~36V
Power Consumption	Max:8.54W
Mechanical	
Construction	Aluminum chassis
IP rating	IP20
Mounting	Wall mount, VESA Mount 100x100, Din-Rail mount(option)
Dimension(mm)	297 x 173 x 33.9
Net weight(Kg)	1.6
Environment	
Operating temperature(°C)	-20~60
Storage temperature(°C)	-40~85
Humidity	10 to 95% @ 40°C, non- condensing
Certification	CE/FCC Class A
Operating System Support	
Windows Embedded 8.1 Industry Pro, Windows 7 Pro for Embedded, WE7, WE8S Windows 10 IOT ENT 2016 LTSB Entry	

ACS-2170

Ultra Slim Fanless Box PC

ACS-2170



unit:mm

Ordering information

Model NO.	Description
ACS-2170-01	Fanless Box PC, Intel Celeron N2930 1.83G processor, 2GB DDR3L Memory, 16GB MMC SSD, mini PCIe slot(full size), 9~36V DC input with Adapter







ACS-2160

Ultra Slim Fanless Box PC

Space-Saving and Rich Connections

- Intel Cedar trail Platform
- Onboard 2GB/4GB DDR3 Memory
- Easy to Attach to Display by VESA 75 x 75 and 100 x 100
- Ultra Slim Size Fanless Design

 Fanless	 Wide 9~36V DC Power	 -20~60°C
 Din Rail		

Ultra slim size
Minimum 2.92cm



Fanless Design



Wide Range DC 9~36V
Power Input



Easy Accessible Storage
Design



Onboard 2GB/4GB
DDR3



ACS-2160

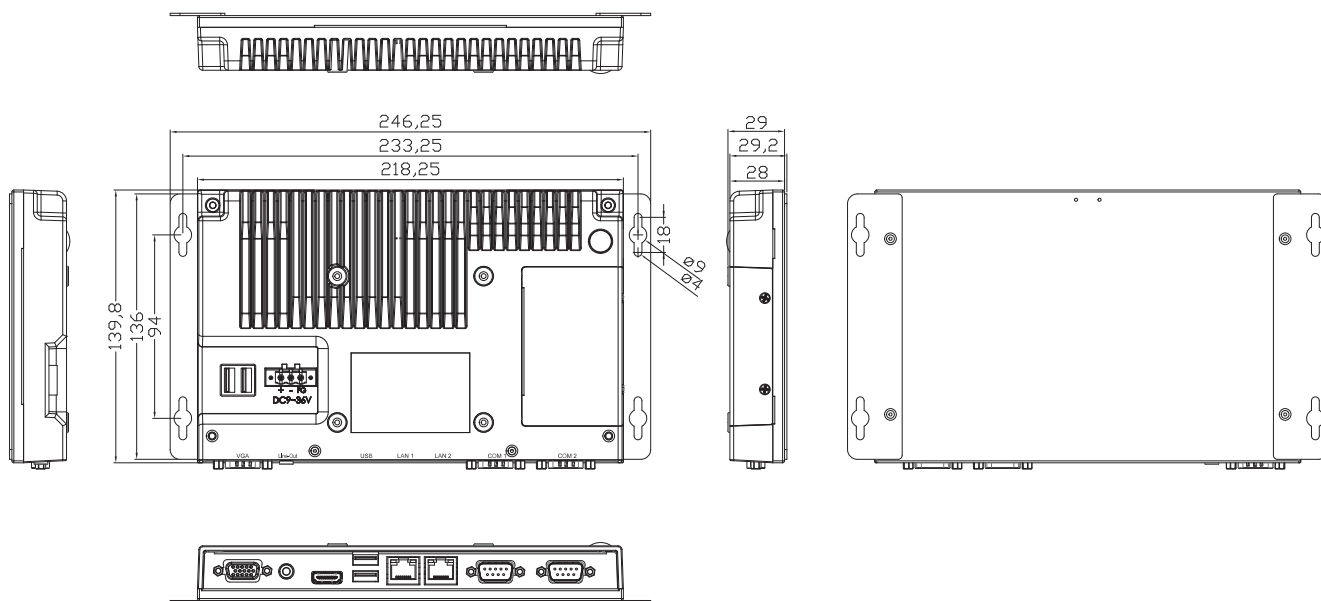
Ultra Slim Fanless Box PC



Specifications

Model Name	ACS-2160
System	
Processor	Intel Atom Processor D2550 1.86GHz, L2 Cache 1MB
System Chipset	Intel NM10 Express
System Memory	Onboard 2GB DDR3 SDRAM/ 4GB(option)
External I/O	
USB	2 x USB 2.0 type A 4 x USB 2.0 type A (optional)
Serial/Parallel	1 x RS-232 DB9 (COM2) 1 x RS-232/422/485 DB9, (COM1), Default RS-232
LAN	2 x GbE LAN RJ-45 by Realtek RTL8111E
Graph	1 x VGA
Audio	1 x Line-out
Digital I/O	None
Power connector	1 x 3-pin terminal block connector
Storage Space	
HDD	1 x 1.8" SATA3 Half Size (MO-297)
Movable device	1 x SD card slot, up to 32GB
Expansion	
Onboard expansion bus	1 x mini PCIe slot (half Size)
Expansion slot	None
Power	
Power input	DC 9~36V
Power Consumption	Max:13.12W
Mechanical	
Construction	Aluminum chassis
IP rating	IP20
Mounting	Wall mount, VESA Mount 75 x 75(option), VESA Mount 100 x 100(option), Din Rail mount(option)
Dimension(mm)	246.2 x 139.8 x 29.2
Net weight(Kg)	1.1
Environment	
Operating temperature(°C)	-20~60
Storage temperature(°C)	-40~85
Humidity	10 to 95% @ 40°C, non- condensing
Certification	CE/FCC Class A
Operating System Support	
Windows Embedded standard 7, Windows 7 Pro for Embedded, WIN CE 6.0 Windows 10 IoT 2016 LTSB Entry	

ACS-2160

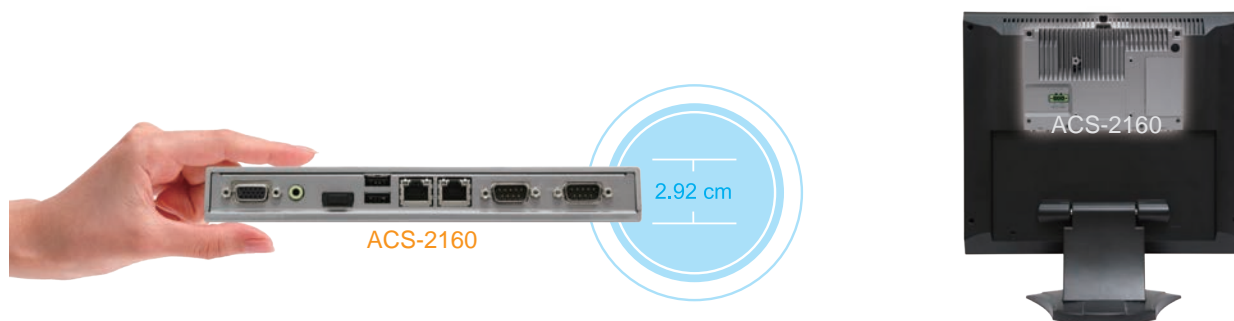


unit:mm

Ordering information

Model NO.	Description
ACS-2160-08	Fanless Box PC, Intel D2550 1.8G, 2GB DDR3 RAM onboard, mini-PCIe slot half size, 9~36V DC power input with Adapter, Aluminum chassis, WT1, ultra slim
ACS-2160-29	Fanless Box PC, Intel D2550 1.8G, 2GB DDR3 RAM onboard, mini-PCIe slot half size, with total 4 x USB port, 9~36V DC power input with Adapter, Aluminum chassis, WT1, ultra slim

Benefit



The ultra slim fanless ACS-2160 is easily to be mounted in a limited space

Be able to integrate with a LCD and turns your display into a panel PC function



ACS-2702A

IP67 Waterproof Stainless Steel Box PC

Intel® Celeron N2930 Platform

- Intel® Celeron N2930 Platform
- IP67 Waterproof with M12 Connector
- Wide Range DC 9~36V Power Input
- Fanless Design
- Rugged Stainless Steel Box PC
- Anti-Shock and Anti-Vibration Design



IP67 Waterproof with M12 Connector



Fanless Design Rugged Stainless Steel Box PC



Wide Range DC 9~36V Power Input



Waterproof Power Button



Anti-shock and Anti-vibration design





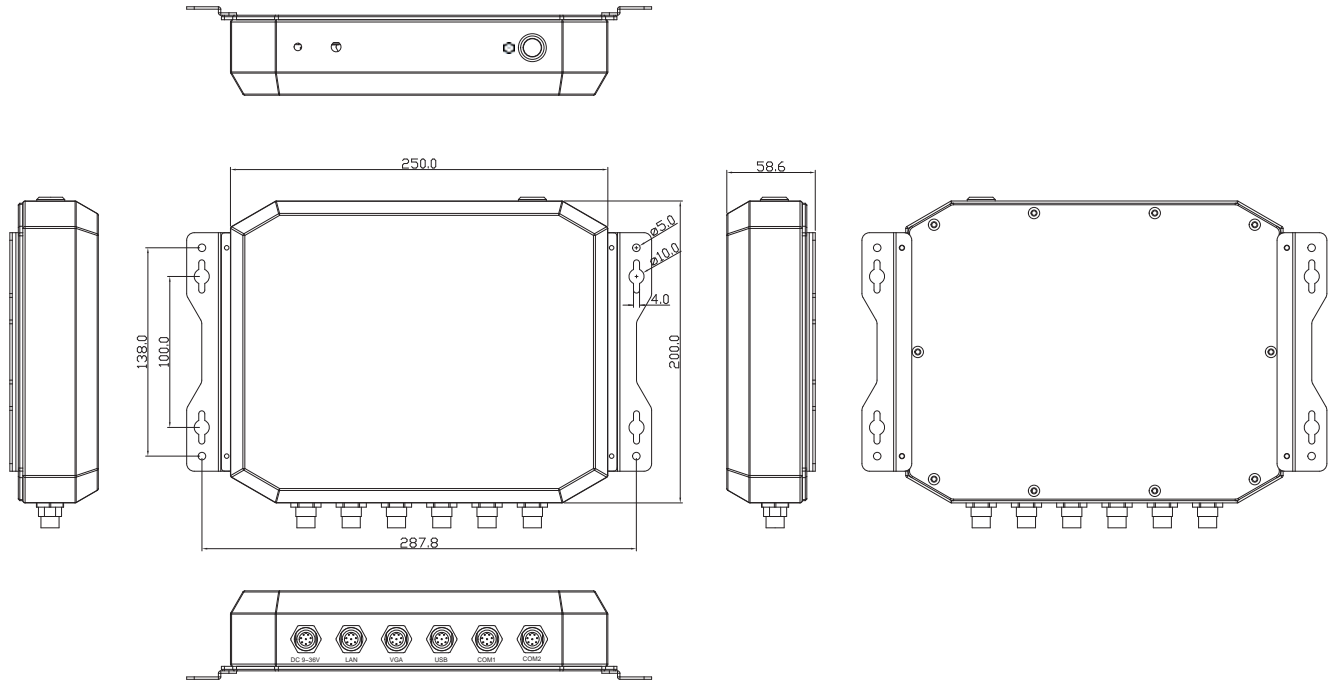
Specifications

Model Name	ACS-2702A
System	
Processor	Intel Celeron N2930(1.83GHz) built-in / Atom E3845(1.91GHz) (option)
System Chipset	SoC
System Memory	Onboard 4GB DDR3L 1600 MHz
External I/O	
USB	1 x M12 8-pin for 2 x USB 2.0 with waterproof cover and chain
Serial/Parallel	1 x M12 8-pin for COM1, RS-232/422/485, default RS-232, with waterproof cover and chain 1 x M12 8-pin for COM2, RS-232, with waterproof cover and chain
LAN	1 x M12 8-pin for LAN with waterproof cover and chain
Graph	1 x M12 12-pin for VGA with waterproof cover and chain
Audio	None
Digital I/O	None
Power connector	1 x M12 3-pin for DC power with waterproof cover and chain
Storage Space	
HDD	1 x 2.5" SATA2 HDD space
Movable device	1 x Internal SD slot, up to 32GB
Expansion	
Onboard expansion bus	1 x Mini-PCIe slot (full size)
Expansion slot	None
Power	
Power input	DC 9~36V
Power Consumption	Max: 7.76W
Mechanical	
Construction	304 stainless steel chassis
IP rating	Total IP67
Mounting	Wall mount
Dimension(mm)	200 x 250 x 53
Net weight(Kg)	3.2
Environment	
Operating temperature(°C)	-20~60
Storage temperature(°C)	-40~85
Humidity	10 to 95% @ 40°C, non- condensing
Certification	CE/FCC Class A
Operating System Support	
Windows Embedded 8.1 Industry Pro, Windows 7 Pro for Embedded, WES 7, WE8S Windows 10 IOT ENT 2016 LTSB Entry	

ACS-2702A

IP67 Waterproof Stainless Steel Box PC

ACS-2702A



unit:mm

Ordering information

Model NO.	Description
ACS-2702A-01	IP67 Waterproof fanless box pc, Intel Atom N2930 CPU, 4GB DDR3L RAM on board, 32GB MLC SSD, 9~36V DC power input with Adapter, stainless steel enclosure, WT1.



Railway BOX PC



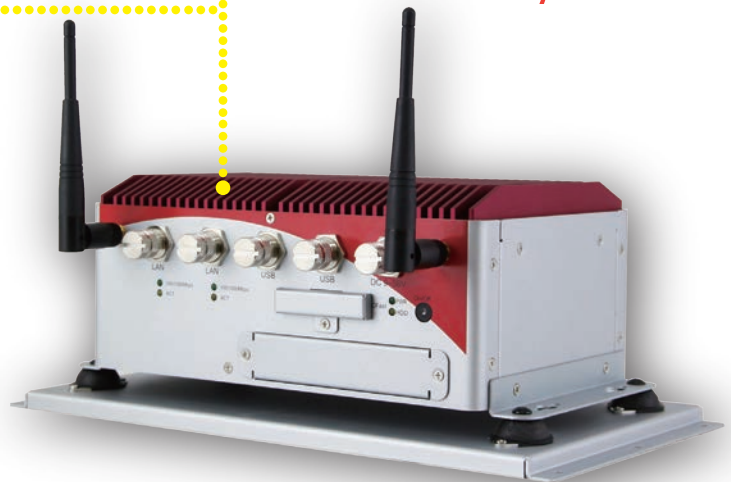
EN50155 Certified

Passenger Counter

Surveillance System

Features >>>

- > Intel Atom D2550 1.86GHz
- > Onboard 4GB DDR3 SDRAM
- > Fanless Design
- > 1 x External CFAST slot
- > 2 X mini PCIe expansion
- > Wide Range DC 9~36V Power Input
- > Anti-shock and Anti-vibration design










ACS-2563

Railway Box PC

EN-50155 Certified

- Intel® Atom™ Processor D2550 1.86GHz
- Onboard 4GB DDR3
- Anti-shock and Anti-vibration design
- Fanless Design
- Support Dual Display (VGA+DVI)
- CFast Slot and Mini PCIe Slot Support
- Wide Range DC 9~36V Power Input

 Fanless	 Wide 9~36V DC Power	 -25~70°C
 Wireless	 PCI/PCIe expansion	

Intel Atom D2550 processor



Fanless Design



Wide Range DC 9~36V Power Input



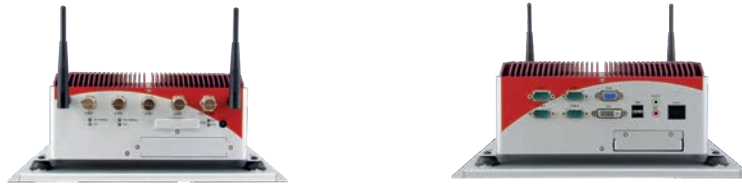
Anti-shock and Anti-vibration design



EN-50155 Certified

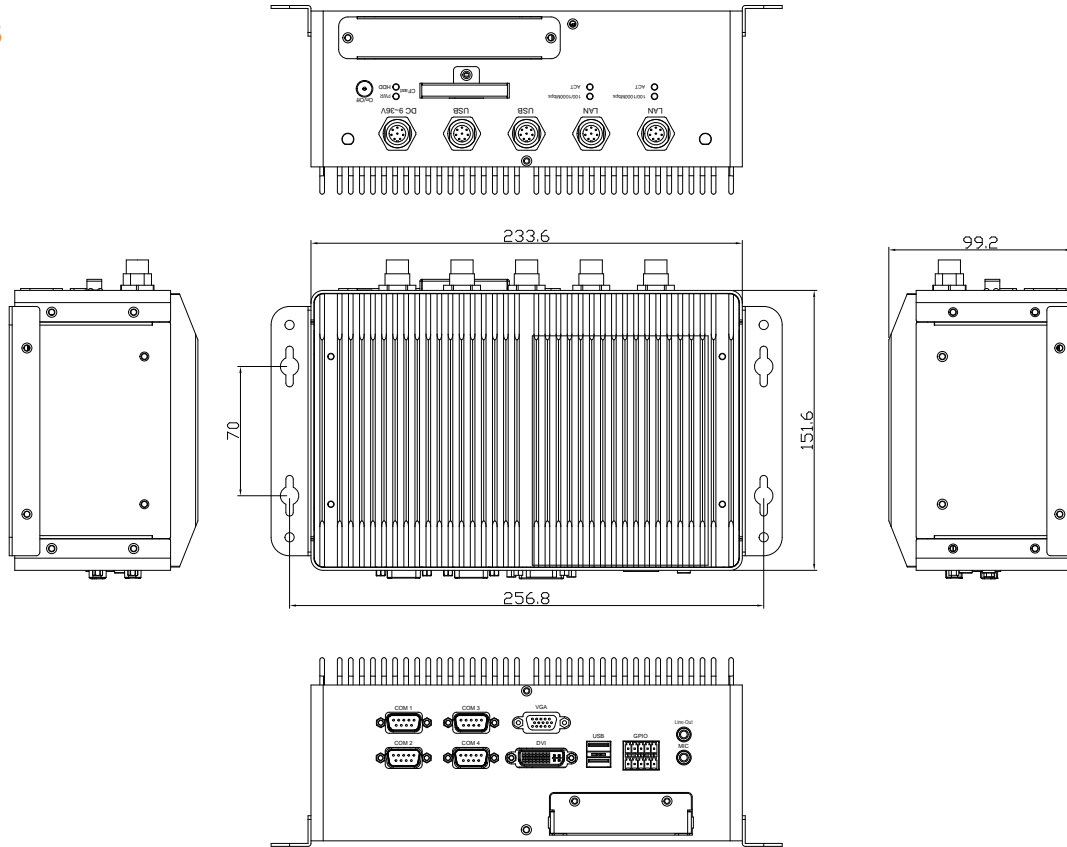


Specifications



Model Name	ACS-2563
System	
Processor	Intel Atom Processor D2550 1.86GHz , L2 Cache 1MB
System Chipset	Intel NM10 Express
System Memory	Onboard 4GB DDR3 SDRAM
External I/O	
USB	2 x USB 2.0 type A, 4 x USB 2.0 by 2 x M12 connector
Serial/Parallel	4 x RS-232/422/485 selectable ,default 232 (Isolation)
LAN	2 x GbE LAN by M12 connector
Graph	1 x VGA 1 x DVI-D
Audio	1 x Line out phone jack 1 x MIC in phone jack
Digital I/O	1 x 4-in/4-out (Isolation)
Power connector	1 x DC Power Input by M12 connector (Isolation)
Storage Space	
HDD	1 x 2.5" SATA2
Movable device	1 x external CFast slot
Expansion	
Onboard expansion bus	2 x mini PCIe Full Size
Expansion slot	Expansion I/O
Power	
Power input	DC 9~36V
Power Consumption	Max: 22.9W
Mechanical	
Construction	Steel chassis with red aluminum heat-sink
IP rating	Total IP20
Mounting	Wall mount
Dimension(mm)	256.8 x 151.6 x 99.2
Net weight(Kg)	8.2
Environment	
Operating temperature(°C)	-25~70
Storage temperature(°C)	-40~85
Humidity	10 to 95% @ 40°C, non- condensing
Certification	CE/FCC class A, EN-50155
Operating System Support	
Windows IOT 2016, Windows Embedded standard 7, Windows 7 Pro for Embedded, WIN CE 6.0	

ACS-2563

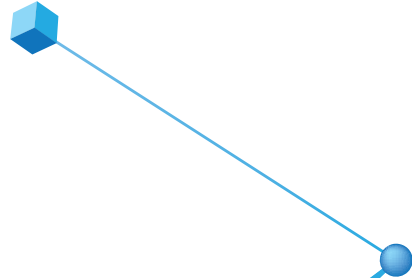


Ordering information

Model NO.	Description
ACS-2563-01	Fanless Box PC, Intel Atom D2550 1.86G, onboard 4GB DDR3 SDRAM, mini-PCIe slot full size, 9~36V DC power input with adapter, Steel Chassis with Aluminum Heatsink

AVS *SERIES*

Intelligent Modular Design
Machine Vision Application





AVS SERIES

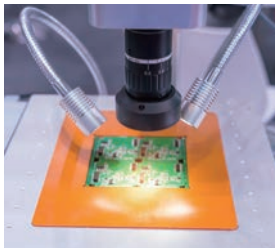
AVS series, a compact system family from APLEX, the latest development with high expandability and outstanding performance, is best suited for applications like machine vision or automation. Its flexible expansion capability allows install of add-on cards and peripherals like camera, POE, USB device, I/O device, and GPU card to meet with most demands in various industrial applications, especially in the smart manufacturing industry for instance; it is capable of meeting the needs of most Industrial IoT applications.

Furthermore, AVS series provides from entry-level to high-end advanced platform in full-fill of field application needs such as machine vision, AOI, automation control, measurement, robotic monitoring / control, IIoT, and edge computing; it will help your business to reach the next generation IIoT and Industry 4.0 standard.

As mostly be focus in vision application field, and targeting to run in industrial 24/7 harsh environment, AVS series' performance and reliability improve your production quality and efficiency; with an increasing productivity, it helps to drive the manufacturing cost down eventually.



Barcode Reading



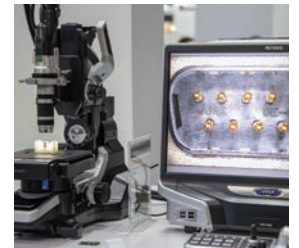
PCB Inspection



Fault Detection



Object Positioning

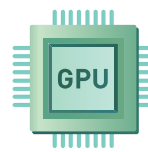
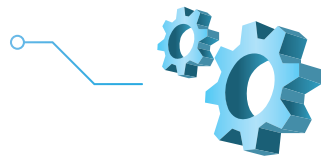


Measurement

Highlights

Functionalities

- Support mainstream Camera
- Light source control
- High expandability
- Engage in wide range of machine vision applications



AVS-300 Series

- Compact size
- Small size for occupying less space

AVS-500 Series

- Powerful graphic computing performance
- Support up to 4 expansion slots

AVS-300 Series



CPU: Onboard Intel Celeron J1900
RAM: 1 x 204-pin SO-DIMM DDR3L 1333MHz, up to 8GB

AVS-500 Series



CPU: 6th//7th Gen. Intel Core i7/i5/i3
RAM: 2 x 260-pin DDR4 SO-DIMM memory, up to 32GB

AVS SERIES

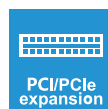
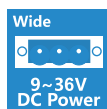
Expendabilities & Modularization

- High speed PCIe interface
- Modular design easy for customization
- Increase the capacity and scalability
- Simplify installation process and save time



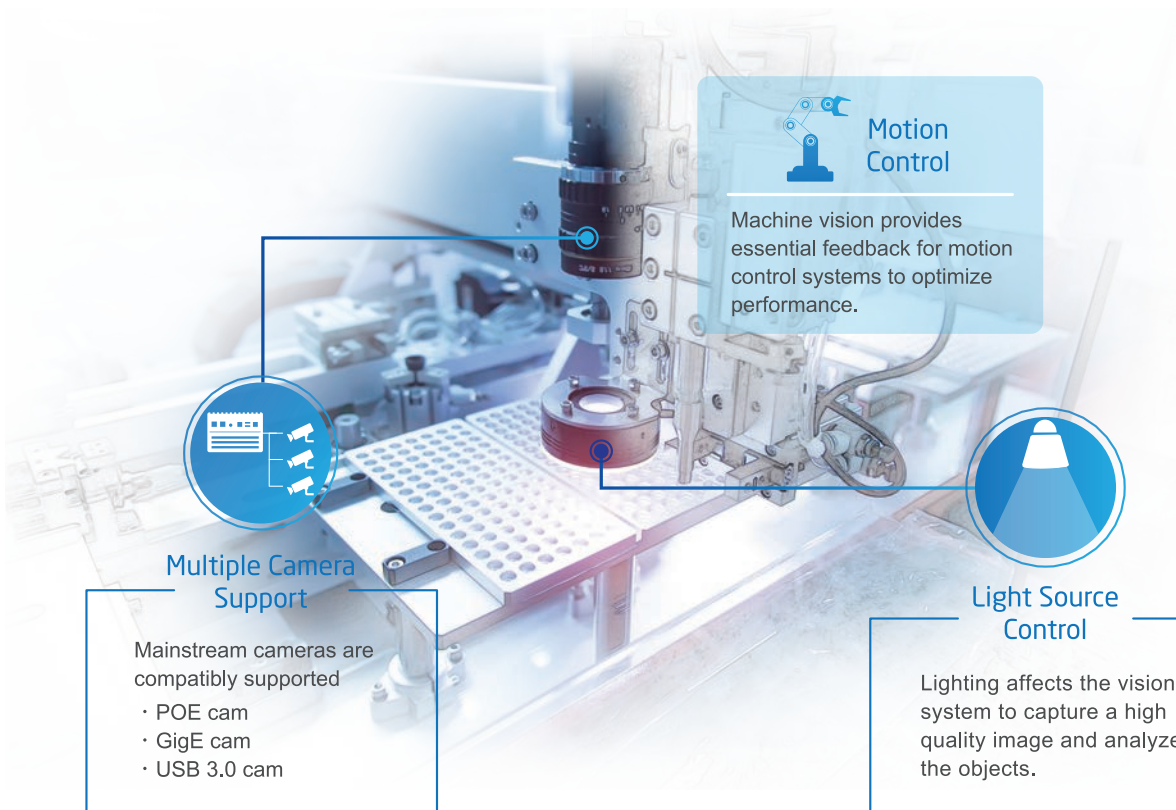
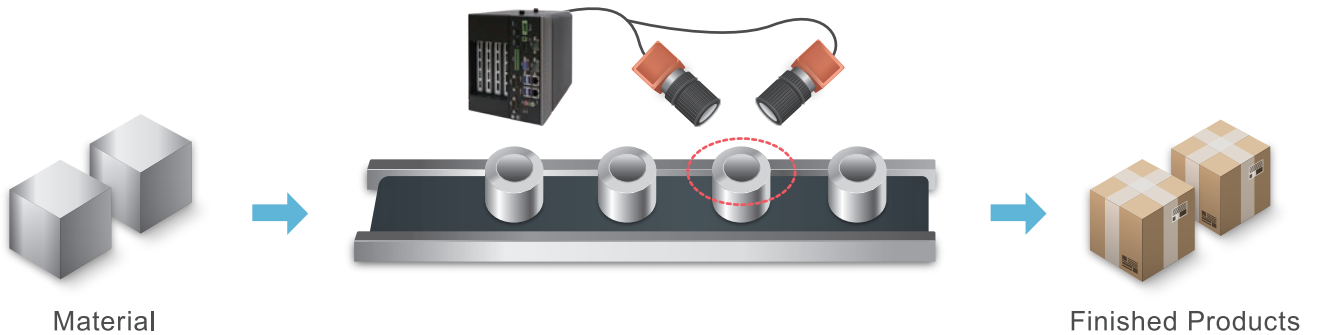
Comprehensive Product Line

- Entry to advanced platforms for different requirements
- Meet all demands in performance



Why APLEX Machine Vision Dedicated Systems Become a Vital Member in the Smart Factory?

Widely implemented in industrial field as the request of precision control and quality assurance in mass-production process, this leads to the development of AVS series; its performance and reliability will get your systems to the next level of Smart Factory and Industry 4.0.



Motion Control

Machine vision provides essential feedback for motion control systems to optimize performance.



Multiple Camera Support

Mainstream cameras are compatibly supported

- POE cam
- GigE cam
- USB 3.0 cam



Light Source Control

Lighting affects the vision system to capture a high quality image and analyze the objects.

Quality Assurance

Intelligent Vision Inspection systems can help finding tiny, negligible defects within the manufacturing process, thus helping products been made with better accuracy and stability; this improves total production quality or, yield rate for a better cost of manufacturing.



Product Selection

<p>Compact</p>	<p>Lighting Control</p>	<p>Motion Control</p>	<p>Expandable</p>
<p>AVS-300 AVS-310</p>	<p>AVS-311 AVS-313</p>	<p>AVS-312</p>	<p>AVS-500 AVS-502 AVS-504</p>



Model Name	AVS-500	AVS-502	AVS-504
CPU	7th Gen. Intel Core i7/i5/i3 Processor	7th Gen. Intel Core i7/i5/i3 Processor	7th Gen. Intel Core i7/i5/i3 Processor
Memory	2 x DDR4 SO-DIMM	2 x DDR4 SO-DIMM	2 x DDR4 SO-DIMM
Mothorboard	ASB-M8172	ASB-M8172	ASB-M8172
Fanless	Yes	Yes	Yes
Expansion Slot	No	2	4
Dual Display	Yes	Yes	Yes
HDD Space	2 x 2.5"	2 x 2.5"	2 x 2.5"
Din rail mounting	Yes	Yes	Yes

Model Name	AVS-300	AVS-310	AVS-313
CPU	Intel Celeron J1900	Intel Celeron J1900	Intel Celeron J1900
Memory	1 x SO-DIMM DDR3L	1 x SO-DIMM DDR3L	1 x SO-DIMM DDR3L
Fanless	Yes	Yes	Yes
Expansion Slot	No	No	No
Dual Display	No	No	No
HDD Space	1 x 2.5"	1 x 2.5"	1 x 2.5"
Din rail mounting	Yes	Yes	Yes
Lighting control	No	No	Yes
Trigger	No	No	Yes





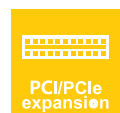



AVS-500 Series

Machine Vision Application System

7th Gen. Intel Core i3/i5/i7 Processor

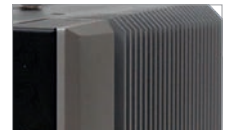
- Machine Vision Application System
- 7th Gen. Intel Core i7/i5/i3 Processor
- 2 x 260-pin DDR4 SO-DIMM memory
- Fanless Design
- Supports DIN rail and wall mount
- Wide range DC 9~36V power input

 Fanless	 Wide 9~36V DC Power	 0~50°C
 Wide Temp Option	 PCI/PCIe expansion	 Din Rail

7th Gen. Intel Core i3/i5/i7 Processor



Fanless Design



Wide Range DC 9~36V Power Input



Support up to 4 expansion slots



Support add-on GPU graphic cards and LAN/PoE/USB3.0 I/O cards



AVS-500 Series

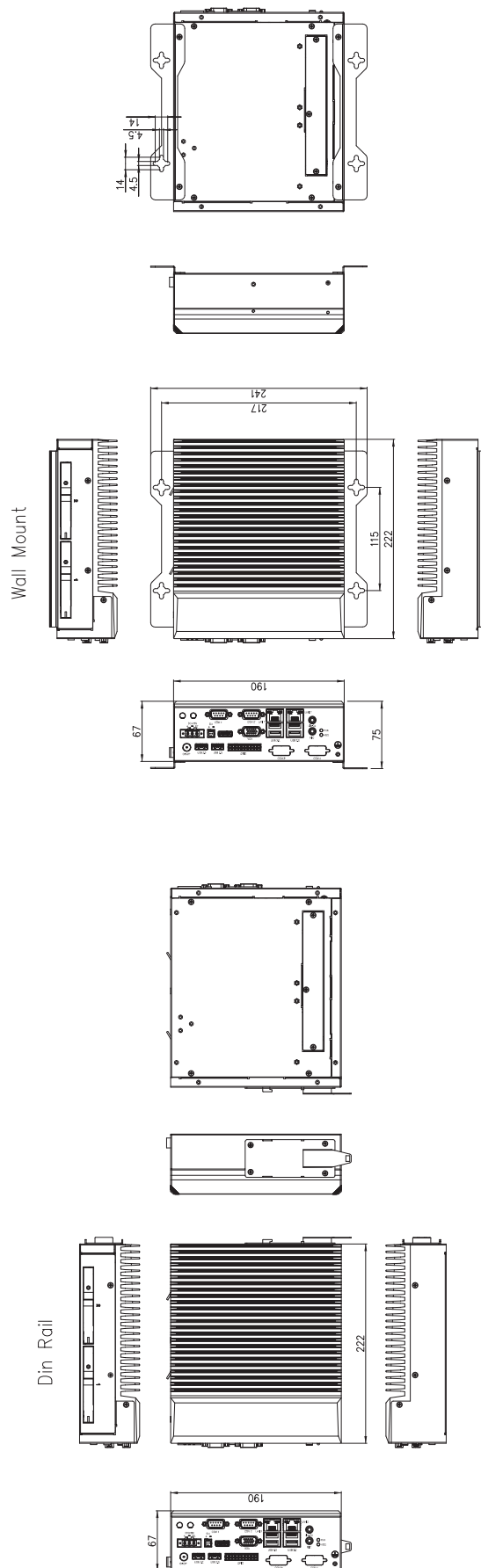
Machine Vision Application System



Specifications

Model Name	AVS-500	AVS-502	AVS-504
System			
Processor	7th Gen. Intel Core i3/i5/i7 Processor		
System Chipset	H170		
System Memory	2 x 260-pin DDR4 SO-DIMM memory, up to 32GB		
External I/O			
USB	4 x USB 3.0 type A 2 x USB 2.0 type A via TB-577		
Serial/Parallel	1 x RS-232/422/485 DB-9 (COM1, default RS-232) 1 x RS-232 DB-9 (COM2) 1 x RS-422/485 DB-9 (COM3, default RS-485, optional) 1 x RS-232 DB-9 (COM4, optional)		
LAN	2 x GbE LAN RJ-45		
Graph	1 x VGA, 1 x HDMI		
Audio	1 x Line-out, 1 x Mic-in		
Digital I/O	1 x 8-bit GPIO (4 x DI, 4 x DO, via TB-577)		
Power connector	1 x 3-pin DC power input terminal block 1 x 2-pin power switch 1 x power button with light via TB-577		
Storage Space			
HDD	2 x 2.5" SATA3 HDD/SSD , Easy-swappable HDD tray		
Expansion			
Onboard expansion bus	2 x full size Mini-PCIe slot		
Expansion slot	None	1x PCIe-4, 1x PCIe-16@GEN2, default (TB-588E161E41) Options: 1x PCI, 1x PCIe-16@GEN2 (TB-588P1E161)	1x PCIe-4, 1x PCIe-16, 1xPCIe-1@GEN2, default (TB-588E11E41E161) Options: 4x PCI (TB-588P4)
Power			
Power input	DC 9~36V		
Power Consumption	Max: 150W		
Support Expansion	Max: 75W@12V		
Mechanical			
Construction	Plating Titanium Gray Aluminum Heatsink and Black Steel Chassis		
Mounting	Din Rail back side (default) & Wall Mount (option)		
Thermal	None	Support 1 x 4cm 4pin PWM Fan (optional) Support 2pcs Fan Filter (8cm x 8cm, optional)	Support 1 x 8cm 4pin PWM Fan (optional) Support 2pcs Fan Filter (8cm x 8cm, optional)
Dimension(mm)	222 x 190 x 150	222 x 190 x 111	230 x 195 x 125.7
Net weight(Kg)	3.1	3.8	4.1
Environment			
Operating temperature(°C)	-20~60(for i3/i5 model) -20~50(for i7 model)		
Storage temperature(°C)	-40~85		
Vibration	1G / 5 ~ 500Hz (Random) / Operation		
Shock	15G peak acceleration(11 msec. duration)/operation		
Drop	92cm(1 Corner, 3 Edge, 6 Surface)		
Humidity	10 to 95% @ 40°C, non- condensing		
Certification	Meet CE/FCC Class A		
Operating System Support			
Microsoft® Win10 IoT, Windows 7, Linux Kernel 4.15 (Ubuntu 16.04.4)			

AVS-500

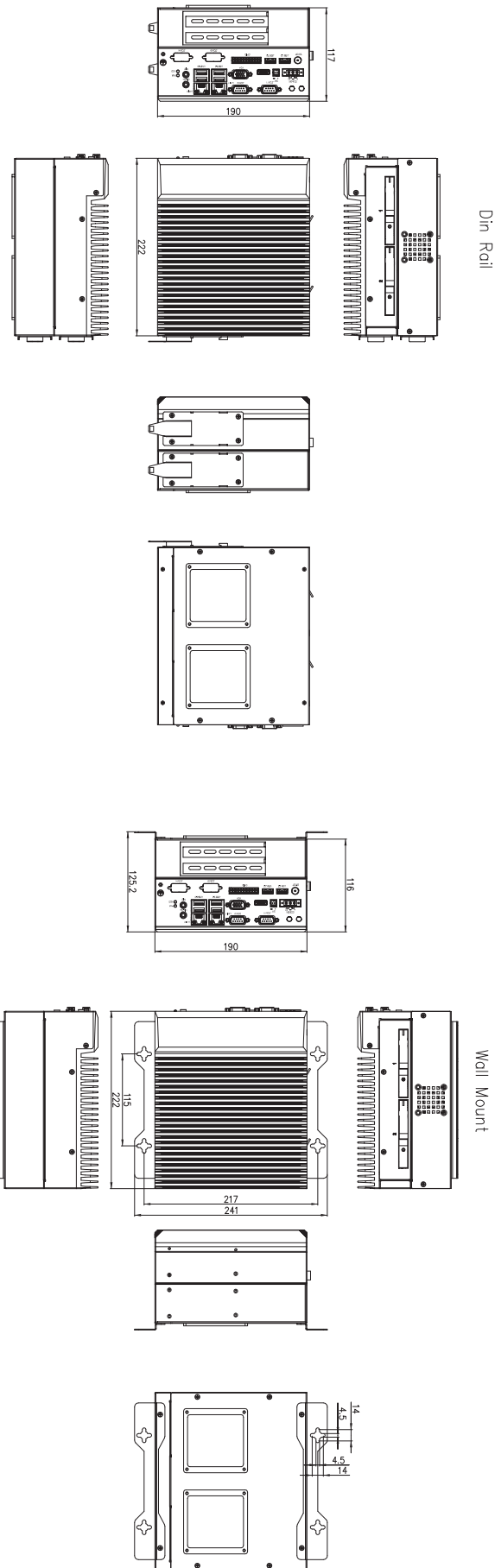


unit:mm

AVS-500 Series

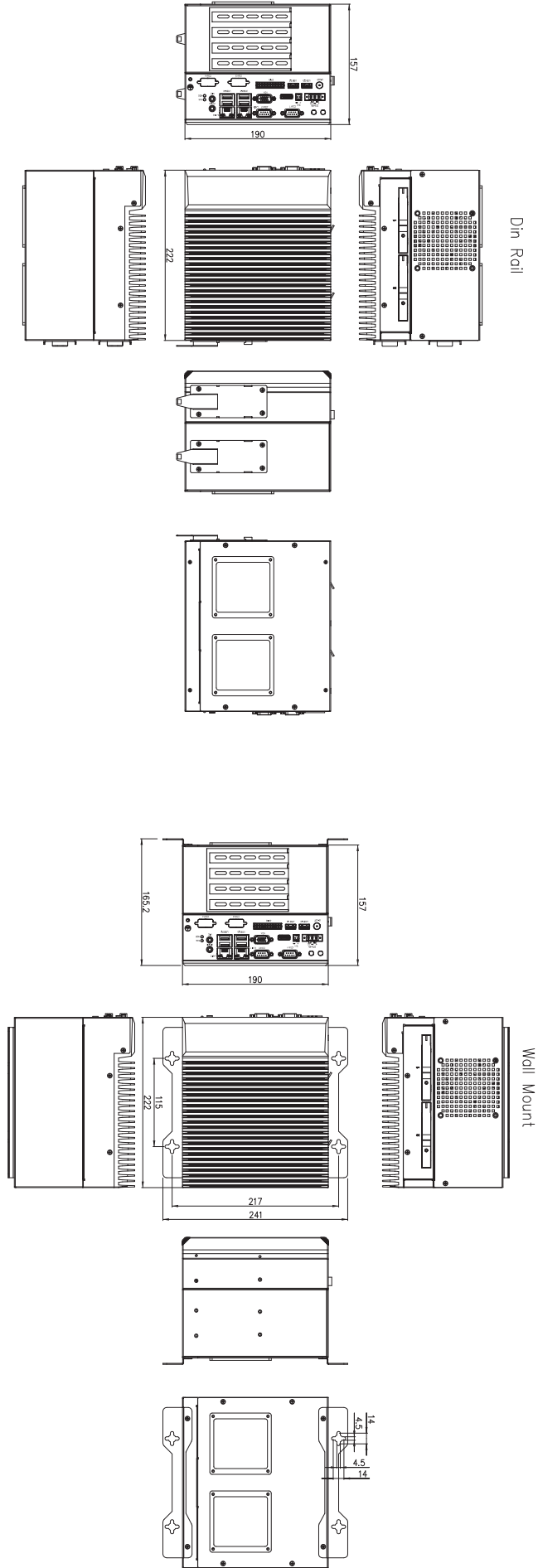
Machine Vision Application System

AVS-502



unit:mm

AVS-504



Stainless Steel Panel PC

Industrial Panel PC

HMI

Embedded Box PC

Display

unit:mm

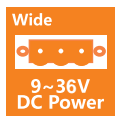


AVS-300 Series

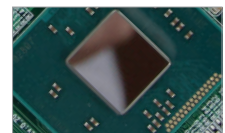
Machine Vision Controller

Intel Core J1900 Processor

- Machine Vision Application System
- Intel Celeron J1900 Processor
- 1 x DDR3L SO-DIMM 1333MHz
- 1 x 2.5" SATA2 HDD Space
- Fanless Design
- Wide Range DC 9~36V Power Input



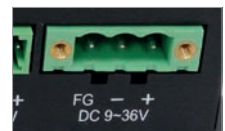
Intel Celeron J1900 Processor



Fanless Design



Wide Range DC 9~36V Power Input



Ultra Slim Size





Specifications

Model Name	AVS-300
System	
Processor	Onboard Intel Celeron J1900 Processor
System Chipset	SoC
System Memory	1 x 204-pin SO-DIMM DDR3L 1333MHz, up to 8GB
External I/O	
Super I/O	Nuvoton NCT6106D
USB	2 x USB 3.0 (type A) 2 x USB 2.0 (type A)
Serial/Parallel	1 x RS232/422/485, DB9 (COM1) 1 x RS232, DB9 (COM2) 1 x RS485, DB9 (COM3/4) 1 x RS232, DB9 (COM5/GPIO, optional) 1 x RS232, DB9 (COM6)
LAN	2 x GbE LAN RJ-45 by intel GT211V controller
Graph	Integrated Intel HD Graphics 688/854 MHz(J1900) 1 x VGA up to 1920 x 1200 1 x HDMI up to 1920 x 1200
Audio	1 x Line out
Digital I/O	1 x 8-bit GPIO (4 x DI, 4 x DO)
Power connector	1 x 3-pin terminal block connector
Storage Space	
HDD	1 x 2.5" SATA2 HDD/SSD bay 1 x mSATA 1 x SIM slot
Expansion	
Onboard expansion bus	1 x mini PCIe slot
Expansion slot	None
Power	
Power input	DC 9~36V
Power Consumption	TBD
Mechanical	
Dimension(mm)	246.2 x 139.8 x 29.2
Net weight(Kg)	1.05
Environment	
Operating temperature(°C)	-20~70
Storage temperature(°C)	-40~85
Humidity	10 to 95% @ 40°C, non- condensing
Certification	Meet CE/FCC Class A
Operating System Support	
Windows 7 32/64bit, Windows10	

Stainless Steel Panel PC

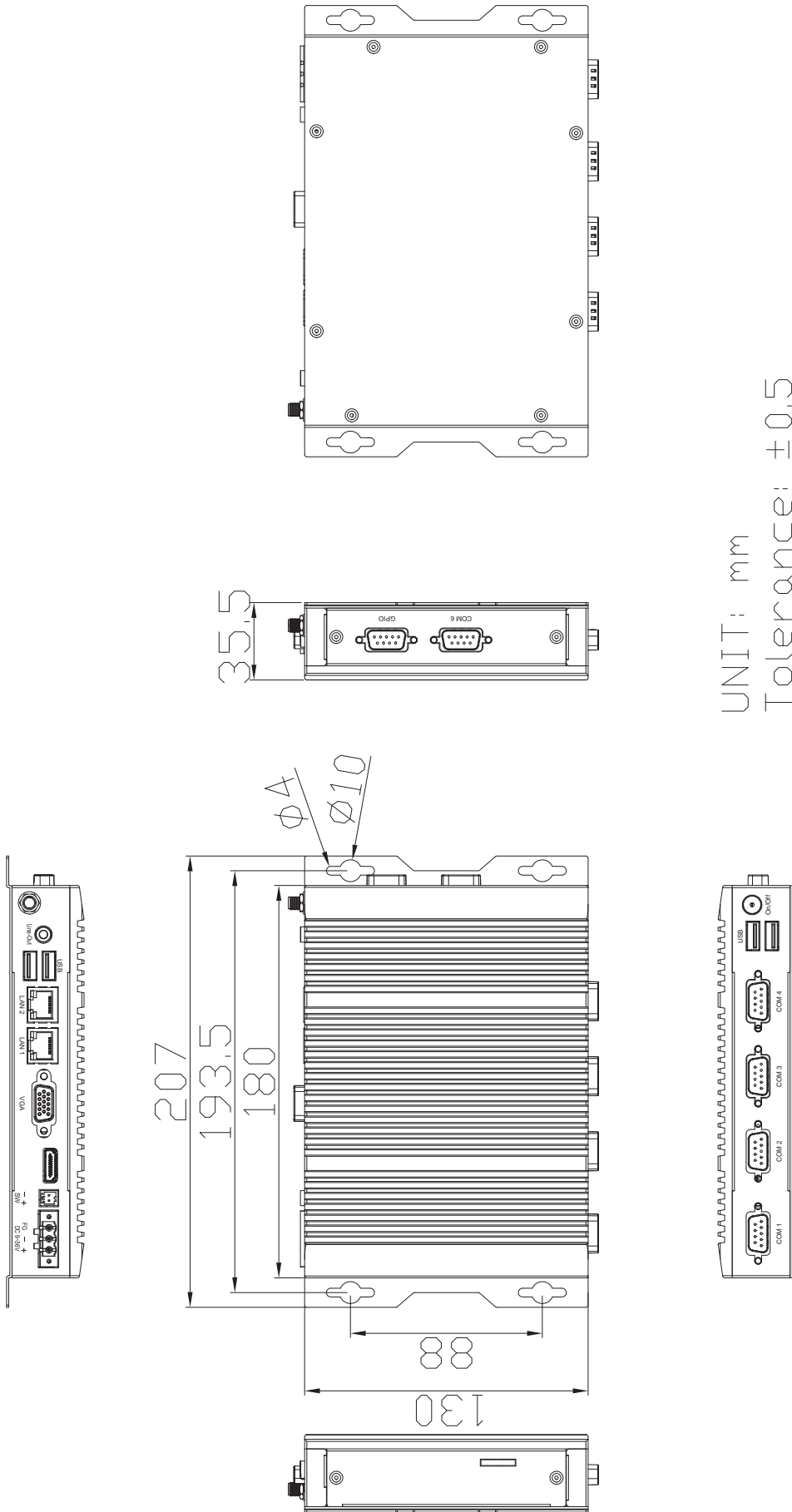
Industrial Panel PC

HMI

Embedded Box PC

Display

AVS-300



UNIT: mm
Tolerance: ± 0.5

unit:mm








AVS-310

Machine Vision Controller

Intel J1900 Processor

- Intel Celeron J1900 Processor
- 1 x DDR3L SO-DIMM 1333MHz
- 1 x 2.5" SATA2 HDD space
- 2 x PoE ports with Intel GT210AT Controller
- Fanless Design

 Fanless	 Wide 9~36V DC Power	 0~50°C
 Wide Temp Option	 Din Rail	

Intel Celeron J1900 Processor



Fanless Design



2 x PoE ports with Intel GT210AT Controller



All solid capacitors motherboard



Support Wide Temperature-20~70°C



AVS-310

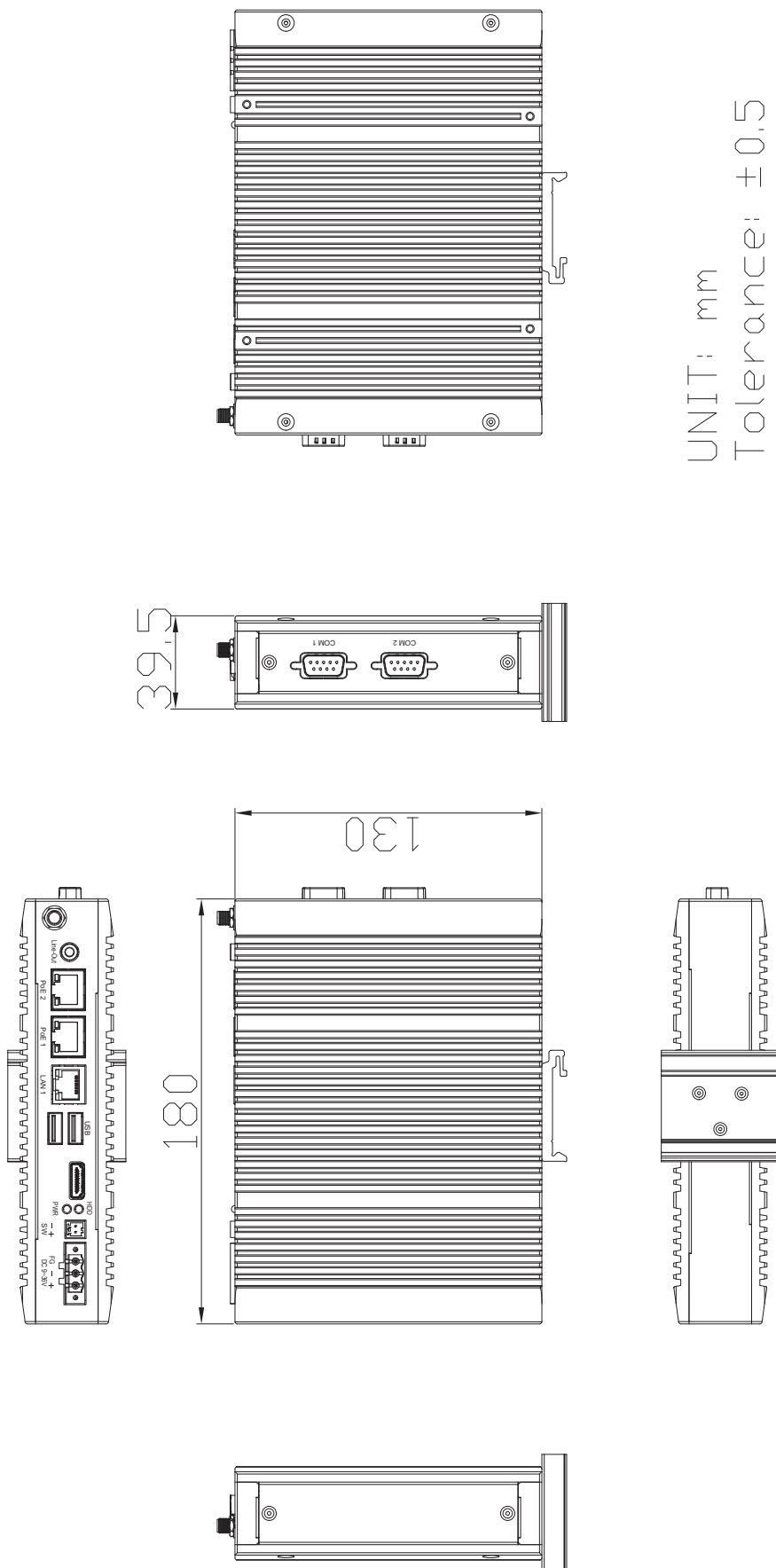
Machine Vision Controller



Specifications

Model Name	AVS-310
System	
Processor	Onboard Intel Celeron J1900 Processor
System Chipset	SOC
System Memory	1 x 204-pin SO-DIMM DDR3L 1333MHz, up to 8GB
External I/O	
Super I/O	Nuvoton NCT6106D
USB	1 x USB 3.0 (type A) 1 x USB 2.0 (type A)
Serial/Parallel	1 x RS485/RS232/RS422, DB9 (COM1) 1 x RS232, DB9 (COM2)
LAN	1 x GbE ports by RJ-45 with intel GT210AT controller 2 x Gigabit IEEE 802.3af/at (15.4W/25W)PoE port by RJ-45 with intel GT210AT controller
Graph	Integrated Intel HD Graphics 688/854 MHz(J1900) 1 x DB15 VGA up to 1920 x 1200 1 x HDMI up to 1920 x 1200
Audio	1 x Line out
Digital I/O	4x DI, 4x DO (optional)
Power connector	1 x DC Power Input by M12 connector (Isolation)
Storage Space	
HDD	1 x 2.5" SATA2 HDD/SSD bay 1 x mSATA
Expansion	
Onboard expansion bus	1 x mini PCIe slot
Power	
Power input	DC 9~36V (DC24V input only for PoE, Default)
Power Consumption	TBD
Mechanical	
Dimension(mm)	180 x 130 x 39.5
Net weight(Kg)	1.85Kg
Environment	
Operating temperature(°C)	-20~70
Storage temperature(°C)	-40~85
Humidity	10 to 95% @ 40°C, non- condensing
Certification	Meet CE/FCC Class A
Operating System Support	
Windows 7 32/64bit, Windows10	

AVS-310



unit:mm








AVS-313

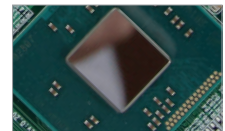
Machine Vision Controller with Lighting Control (MCU)

Intel J1900 Processor

- Machine Vision Application System
- Intel Celeron J1900 Processor
- 1 x DDR3L SO-DIMM 1333MHz
- 1 x 2.5" SATA2 HDD Space
- 2 x PoE ports with inte GT210AT controller
- Fanless Design

 Fanless	 Wide 9~36V DC Power	 0~50°C
 Wide Temp Option	 Din Rail	

Intel Celeron J1900 Processor



Fanless Design



2 x PoE ports with inte GT210AT controller



Support Wide Temperature-20~70°C





Specifications

Model Name	AVS-313
System	
Processor	Onboard Intel Celeron J1900 Processor
System Chipset	SoC
System Memory	1 x 204-pin SO-DIMM DDR3L 1333MHz, up to 8GB
External I/O	
Super I/O	Nuvoton NCT6106D
USB	1 x USB 3.0 (type A) 3 x USB 2.0 (type A) 2 x USB 2.0 (type A, Internal, via TB-5791L)
Serial/Parallel	1 x RS232, DB9 (COM3, via TB-5791L)
LAN	1 x GbE ports by RJ-45 with intel GT210AT controller 2 x Gigabit IEEE 802.3af/at (15.4W/25W)PoE port with inte GT210AT controller
Graph	Integrated Intel HD Graphics 688/854 MHz(J1900) 1 x HDMI up to 1920 x 1200
Audio	None
Digital I/O	8 x DI, 8 x DO, 2 x 10Pin Phoenix Connector, isolation (GPIO1, via TB-5791L) 8 x DI, 8 x DO, 2 x 10Pin Phoenix Connector, isolation (GPIO2, via TB-5791L)
Lighting control	4 x Lighting control , 1 x 8 Pin Phoenix Connector, CH0/CH1/CH2/CH3 (via TB-5791L)
Trigger	4 x Trigger input, 1 x 8 Pin Phoenix Connector, isolation (via TB-5791L)
Power connector	1 x 3-pin terminal block connector
Storage Space	
HDD	1 x 2.5" SATA2 HDD/SSD bay 1 x mSATA
Expansion	
Onboard expansion bus	1 x mini PCIe (optional) 1 x SIM, 1 x 6Pin Wafer (optional)
Expansion slot	None
Power	
Power input	DC 9~36V (DC24V input only for PoE, Default)
Power Consumption	TBD
Mechanical	
Dimension(mm)	180 x 130 x 67.5
Net weight(Kg)	2.15
Environment	
Operating temperature(°C)	-20~70
Storage temperature(°C)	-40~85
Humidity	10 to 95% @ 40°C, non- condensing
Certification	Meet CE/FCC Class A
Operating System Support	
Windows 7 32/64bit, Windows10	

Stainless Steel Panel PC

Industrial Panel PC

HMI

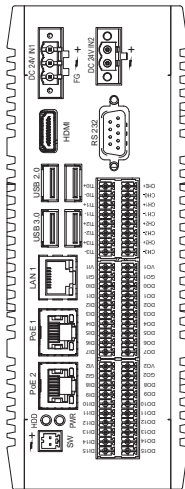
Embedded Box PC

Display

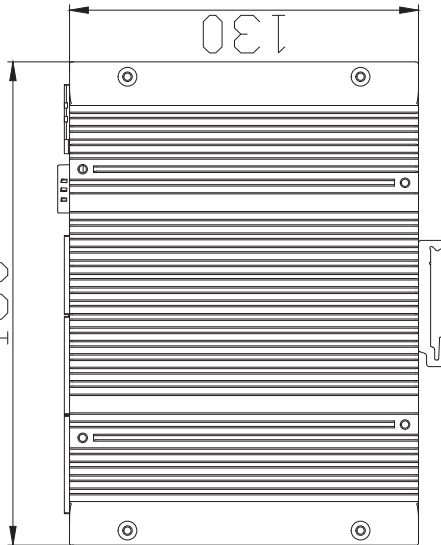
AVS-313

Machine Vision Controller with Lighting Control (MCU)

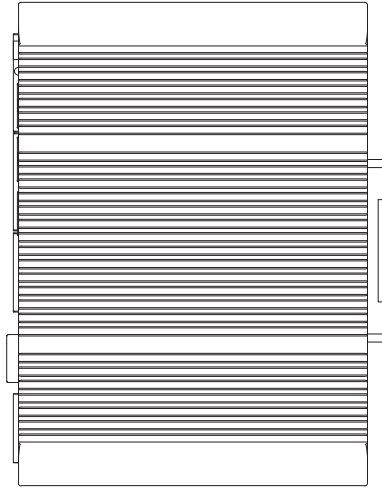
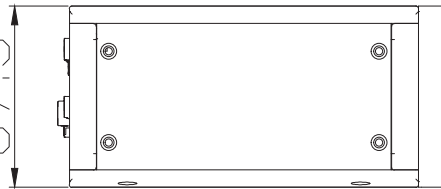
AVS-313



180



67.5



UNIT: mm
Tolerance: ±0.5

unit:mm



Display & Open Frame Display ViTAM/ARCDIS/ADP/OPD

There is no doubt that APLEX offers a complete display products line for industrial applications. To widely promote to different applications, the long-term product lifecycle of the display is what APLEX focuses on, so we provide rugged construction including open-frame structure, stainless steel, metal chassis, aluminum die-casting and plastic enclosure. Additionally, concerning the maintenance issue, IP rated assurance ensures that the system operates normally after cleaning.

In high levels of ambient light environment, APLEX has built a high-brightness series of monitors which utilize LED backlight technology. In addition, the customer can choose either the VGA-only product or DVI-equipped model. All display products can be customized based on demands to satisfy each customer.



Model Name	ViTAM-1XXP/R/G(H)	ARCDIS-1XXAP/R/G(H)	FABS-1XXP/R/G(H)
Touch	Resistive Touch Window(R), Projected Capacitive Touch(P), Only Glass(G)	Resistive Touch Window(R), Projected Capacitive Touch(P), Only Glass(G)	Resistive Touch Window(R), Projected Capacitive Touch(P), Only Glass(G)
Front Bezel	Stainless Steel	Aluminum Die-casting	Stainless Steel
VGA Input	Yes	Yes	Yes
DVI Input	No	Yes	Yes
HDMI Input	Yes	Yes	Yes
DP Input	No	Yes	Yes
Panel mounting	No	Yes	Yes
VESA mounting	Yes	Yes	Yes
AC Input	No	No	No
DC Input	Yes	Yes	Yes
IP Rating	Total IP66/IP69K	Front IP66	Front IP66/IP69K
High brightness	Yes(for H Model)	Yes(for H Model)	Yes(for H Model)
Display Size	10.1"/12.1"/15" 15.6"/17"/19"/21.5"/23.8"	12.1"/15" 15.6"/17"/18.5"/19"/21.5"/23.8"	7"/10.1"/12.1" 15"/17"/19"/21.5"

Model Name	ADP-1XX8P	AEx-1XXP(H)	ADP-1XX4(A)
Touch	Projected Capacitive Touch	Projected Capacitive Touch	Optional Resistive, GFG, Capacitive
Front Bezel	Aluminum flat bezel	Stainless Steel	Black Steel
VGA Input	Yes	Yes	Yes
DVI Input	Yes	No	Option
HDMI Input	No	No	No
Panel mounting	No	Yes	Yes
VESA mounting	Yes	Yes	Yes
AC Input	Yes	No	Yes
DC Input	Yes	Yes	Yes
IP Rating	Front IP65	Total IP66	Front IP65
Display Size	15"/19"	15"/15.6"/19"/21.5"	15"/17"/19"/21.5"

Model Name	ADP-1122A	ADP-1XX0A	OPD-1XX6(B)
Touch	Overlay Resistive	Resistive Touch Window, Projected Capacitive Touch	Optional Resistive, GFG, Capacitive
Front Bezel	Aluminum Die-casting	Plastic	Open Frame
VGA Input	Yes	Yes	Yes
DVI Input	Option	Yes	Option
Panel mounting	Yes	Yes	Yes
VESA mounting	Yes	Yes	Yes
AC Input	No	No	No
DC Input	Yes	Yes	Yes
IP Rating	Front IP65	Front IP65	IPX0
Display Size	12.1"	5.6"/7"/8"/10.1"/12.1"	8"/12.1"/15"



ViTAM-1XX Series

IP66/IP69K Waterproof

Stainless Steel Display

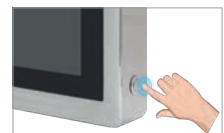
- True Flat Front Bezel Design
- Grade 304 Stainless Steel Enclosure (Grade 316 for Option)
- IP66/IP69K Rated with M12 Connectors
- Wide Range 9~36V DC power input
- Rear side OSD



Support Resistive Touch, Projected Capacitive Touch, and Glass



Touch on/off Button on the Side Edge for Hygienic Cleaning



IP66/IP69K Rated with M12 Connectors



Support Ergonomic Versatile Mounting Space-saving VESA Mounting



Support Wide-Range Temperature -20°~60°C



ViTAM-1XX Series

IP66/IP69K Stainless Steel Display



Model Name	ViTAM-110P(H) ViTAM-110R(H) ViTAM-110G(H)			ViTAM-112P(H) ViTAM-112R(H) ViTAM-112G(H)			ViTAM-115P(H) ViTAM-115R(H) ViTAM-115G(H)		
I/O Port									
VGA	1 x M12 12-pin for VGA with waterproof cover and chain								
DVI	None								
HDMI	1 x M12 HDMI with waterproof cover and chain								
Speaker	1 x 2W IP65 speaker (optional)								
OSD Control Membrane	OSD on the rear side								
Power connector	1 x M12 3-pin for DC power with waterproof cover and chain								
Display	ViTAM-110P ViTAM-110R ViTAM-110G	ViTAM-110PH ViTAM-110RH ViTAM-110GH	ViTAM-112P ViTAM-112R ViTAM-112G	ViTAM-112PH ViTAM-112RH ViTAM-112GH	ViTAM-115P ViTAM-115R ViTAM-115G	ViTAM-115PH ViTAM-115RH ViTAM-115GH			
Display type	10.1" TFT-LCD			12.1" TFT-LCD			15" TFT-LCD		
Max. resolution	1280 x 800		800 x 600	1024x768	800 x 600	1024x768	1024 x 768		
Max. color	16.7M	16.7M	262K	16.2M	16.2M	16.2M	16.7M	16.7M	
Luminance(cd/m ²)	350	1000	450	500	1000	1000	300	1000	
View angle(H°/V°)	170/170	170/170	160/150	160/140	178/178	160/140	176/176	160/160	
Contrast	800:1	800:1	800:1	700:1	700:1	700:1	2000:1	800:1	
Backlight lifetime(hrs)	25000	50000	50000	30000	50000	50000	70000	50000	
Option	Optical bonding			Optical bonding			Optical bonding		
Touch Screen									
Type	Resistive Touch(For R model) Projected Capacitive(For P model) Glass(For G model)								
Interface	USB								
Light transmission(%)	Resistive Touch : 80% Projected Capacitive : 90%								
Power									
Power input	DC 9~36V								
Power Consumption (TYP.)	ViTAM-110P: 6W			ViTAM-112P: 8W			ViTAM-115P: 9.2W		
Mechanical									
Construction	304 Stainless steel chassis (default) 316 Stainless steel chassis (option)								
IP rating	Total IP66/IP69K								
Mounting	VESA Mount 100 x 100, Yoke mount (option)								
Dimension(mm)	330 x 220 x 53			335 x 265 x 53			399 x 324 x 53		
Net weight(Kg)	3.6			4.6			6.5		
Environment									
Operating temperature(°C)	0~50 / -20~60 (option)								
Storage temperature(°C)	-30~70								
Humidity	10 to 95% @ 40°C, non- condensing								
Certification	CE/FCC Class A								

ViTAM-1XX Series

IP66/IP69K Stainless Steel Display



Model Name	ViTAM-116P(H) ViTAM-116R(H) ViTAM-116G(H)		ViTAM-117P(H) ViTAM-117R(H) ViTAM-117G(H)		ViTAM-119P(H) ViTAM-119R(H) ViTAM-119G(H)	
I/O Port						
VGA	1 x M12 12-pin for VGA with waterproof cover and chain					
DVI	None					
HDMI	1 x M12 HDMI with waterproof cover and chain					
Speaker	1 x 2W IP65 speaker (optional)					
OSD Control Membrane	OSD on the rear side					
Power connector	1 x M12 3-pin for DC power with waterproof cover and chain					
Display	ViTAM-116P ViTAM-116R ViTAM-116G	ViTAM-116PH ViTAM-116RH ViTAM-116GH	ViTAM-117P ViTAM-117R ViTAM-117G	ViTAM-117PH ViTAM-117RH ViTAM-117GH	ViTAM-119P ViTAM-119R ViTAM-119G	ViTAM-119PH ViTAM-119RH ViTAM-119GH
Display type	15.6" TFT-LCD		17" TFT-LCD		19" TFT-LCD	
Max. resolution	1366 x 768		1280 x 1024		1280 x 1024	
Max. color	16.7M	16.7M	16.2M	16.7M	16.7M	16.7M
Luminance(cd/m ²)	300	1000	350	1000	350	1000
View angle(H°/V°)	160/160	170/170	170/160	170/160	170/165	170/160
Contrast	500:1	800:1	1000:1	1000:1	1000:1	1000:1
Backlight lifetime(hrs)	50000	50000	30000	50000	50000	50000
Option	Optical bonding		Optical bonding		Optical bonding	
Touch Screen						
Type	Resistive Touch(For R model) Projected Capacitive(For P model) Glass(For G model)					
Interface	USB					
Light transmission(%)	Resistive Touch : 80% Projected Capacitive : 90%					
Power						
Power input	DC 9~36V					
Power Consumption (TYP.)	ViTAM-116P: 12.3W		ViTAM-117P: 19W		ViTAM-119P: 16.3W	
Mechanical						
Construction	304 Stainless steel chassis (default) 316 Stainless steel chassis (option)					
IP rating	Total IP66/IP69K					
Mounting	VESA Mount 100 x 100, Yoke mount (option)					
Dimension(mm)	440 x 290 x 55		432 x 358 x 55		470 x 388 x 55	
Net weight(Kg)	6.4		7.5		8.8	
Environment						
Operating temperature(°C)	0~50					
Storage temperature(°C)	-30~70					
Humidity	10 to 95% @ 40°C, non- condensing					
Certification	CE/FCC Class A					

Stainless Steel Panel PC

Industrial Panel PC

HMI

Embedded Box PC

Display

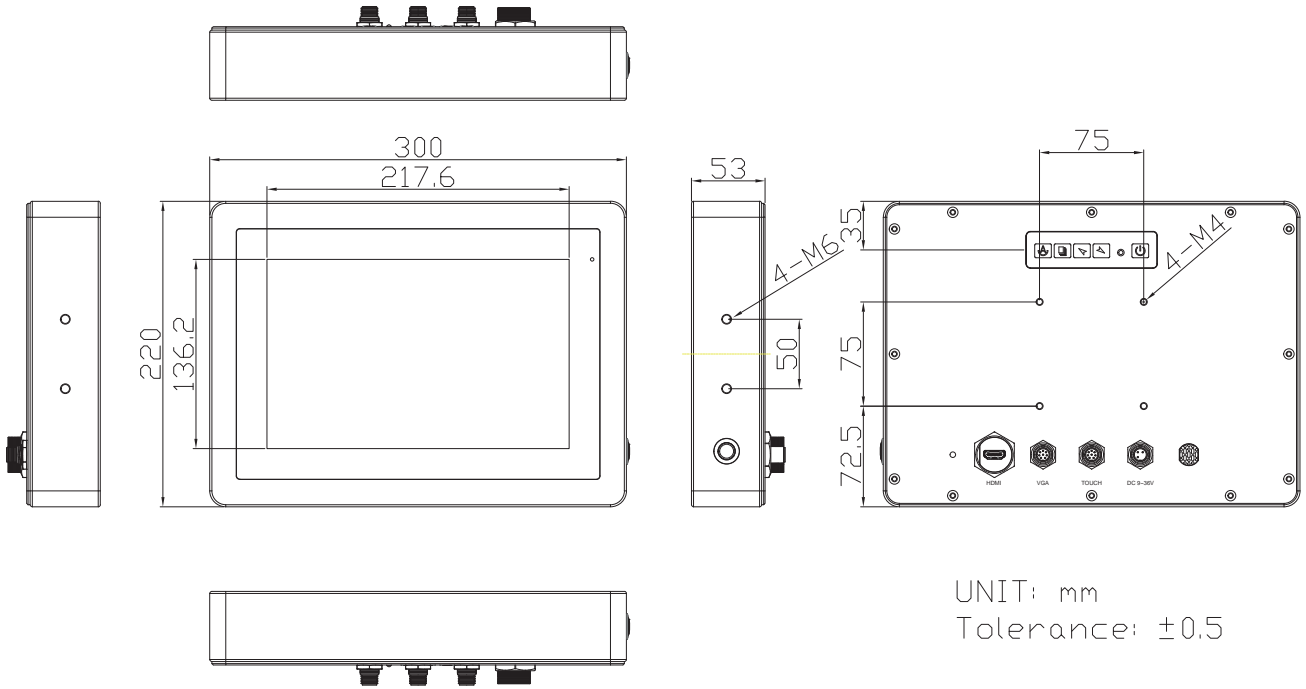
ViTAM-1XX Series

IP66/IP69K Stainless Steel Display



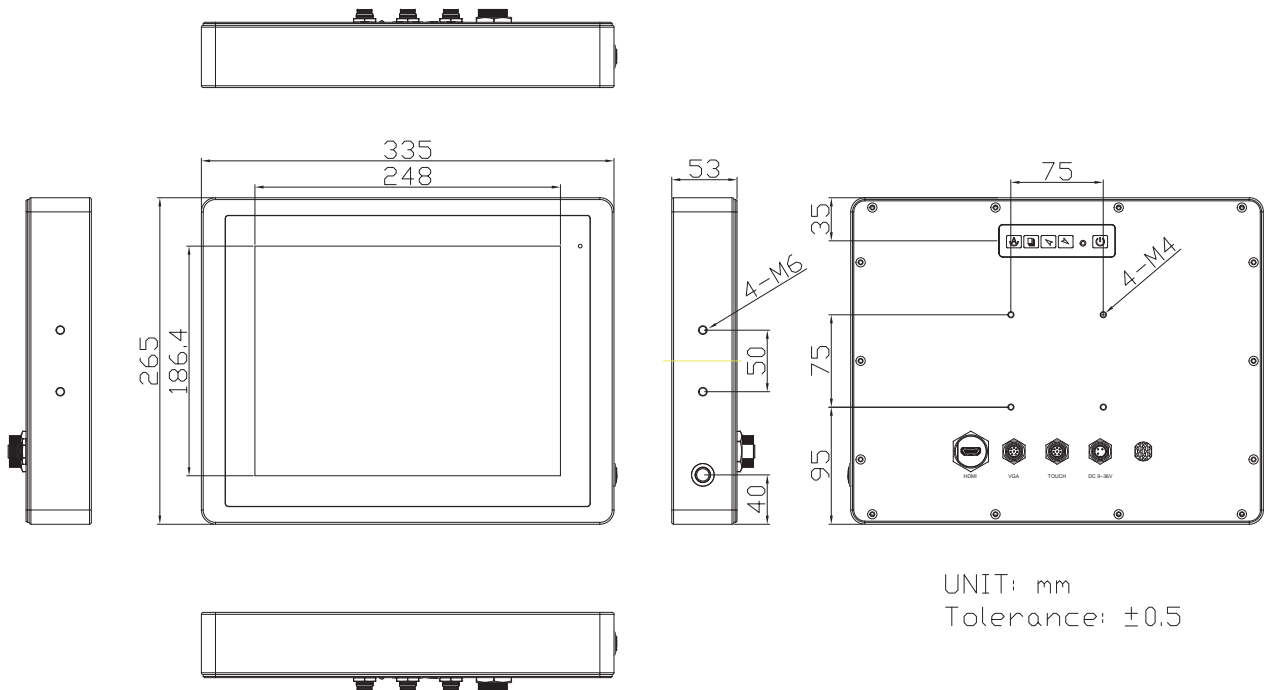
Model Name	ViTAM-121P(H) ViTAM-121R(H) ViTAM-121G(H)		ViTAM-124P(H) ViTAM-124G(H)	
I/O Port				
VGA	1 x M12 12-pin for VGA with waterproof cover and chain			
DVI	None			
HDMI	1 x M12 HDMI with waterproof cover and chain			
Speaker	1 x 2W IP65 speaker (optional)			
OSD Control Membrane	OSD on the rear side			
Power connector	1 x M12 3-pin for DC power with waterproof cover and chain			
Display	ViTAM-121P ViTAM-121R ViTAM-121G	ViTAM-121PH ViTAM-121RH ViTAM-121GH	ViTAM-124P ViTAM-124G	ViTAM-124PH ViTAM-124GH
Display type	21.5" TFT-LCD		23.8" TFT-LCD	
Max. resolution	1920 x 1080		1920 x 1080	
Max. color	16.7M	16.7M	16.7M	16.7M
Luminance(cd/m ²)	250	1000	250	1000
View angle(H°/V°)	178/178	178/178	178/178	178/178
Contrast	3000:1	3000:1	3000:1	5000:1
Backlight lifetime(hrs)	30000	50000	30000	50000
Option	Optical bonding		Optical bonding	
Touch Screen				
Type	Resistive Touch(For R model) Projected Capacitive(For P model) Glass(For G model)		Projected Capacitive(For P model) Glass(For G model)	
Interface	USB			
Light transmission(%)	Resistive Touch : 80% Projected Capacitive : 90%		90%	
Power				
Power input	DC 9~36V			
Power Consumption (TYP.)	ViTAM-121P: 18.6W		ViTAM-124P: 26.4W	
Mechanical				
Construction	304 Stainless steel chassis (default) 316 Stainless steel chassis (option)			
IP rating	Total IP66/IP69K			
Mounting	VESA Mount 100 x 100, Yoke mount (option)		VESA Mount 200 x 100, Yoke mount (option)	
Dimension(mm)	571 x 362 x 53		656 x 423 x 53	
Net weight(Kg)	9		12.6	
Environment				
Operating temperature(°C)	0~50 (0~40 only for ARCDIS-121APH and ARCDIS-121ARH - 21.5" high brightness model)			
Storage temperature(°C)	-30~70			
Humidity	10 to 95% @ 40°C, non- condensing			
Certification	CE/FCC Class A			

ViTAM-110 P/R/G(H)



unit:mm

ViTAM-112 P/R/G(H)

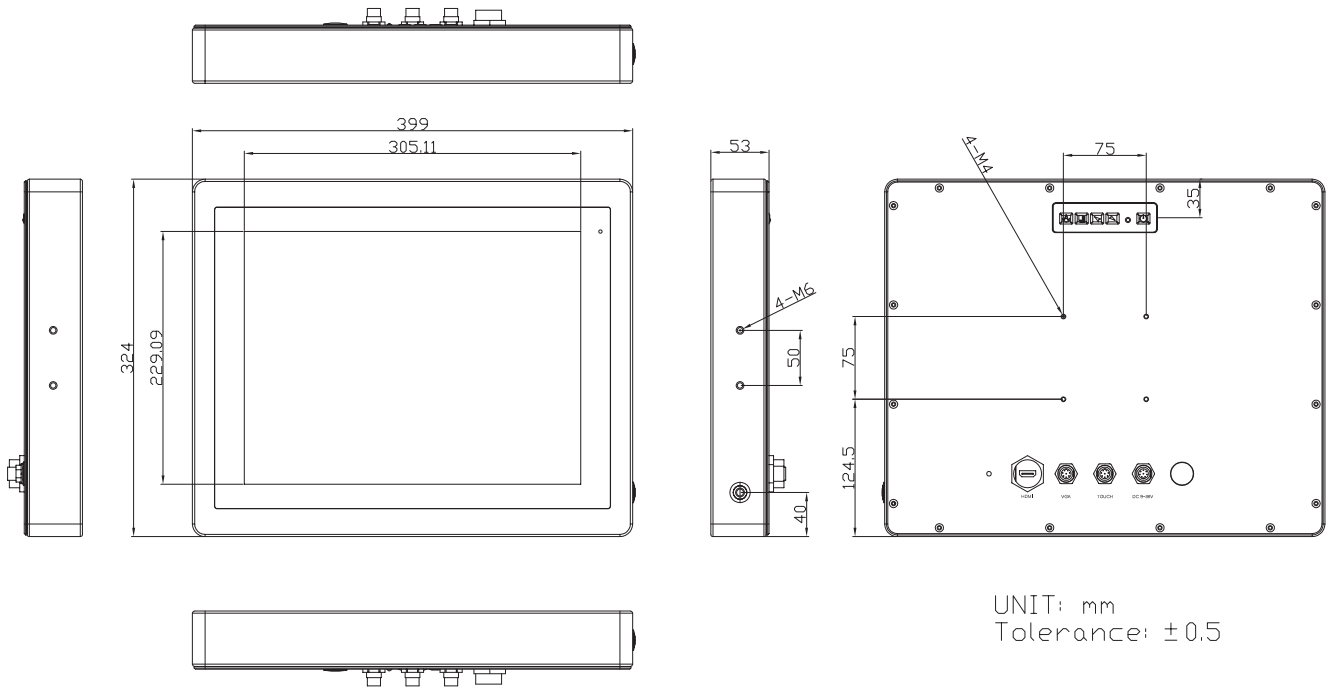


unit:mm

ViTAM-1XX Series

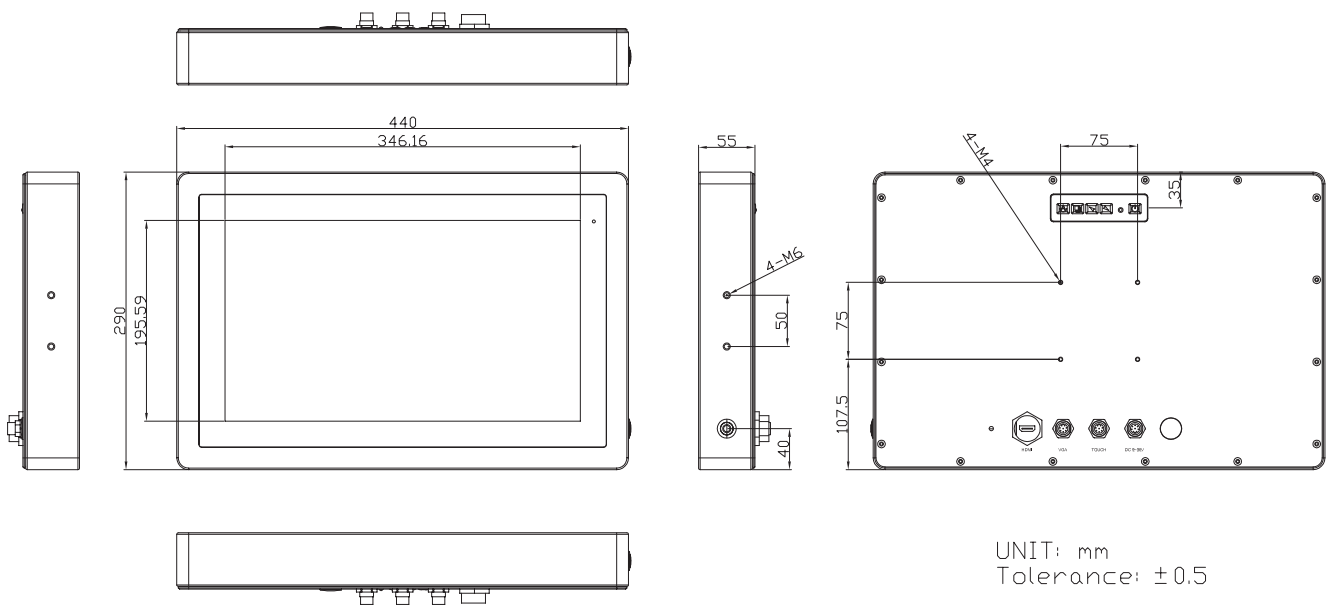
IP66/IP69K Stainless Steel Display

ViTAM-115 P/R/G(H)



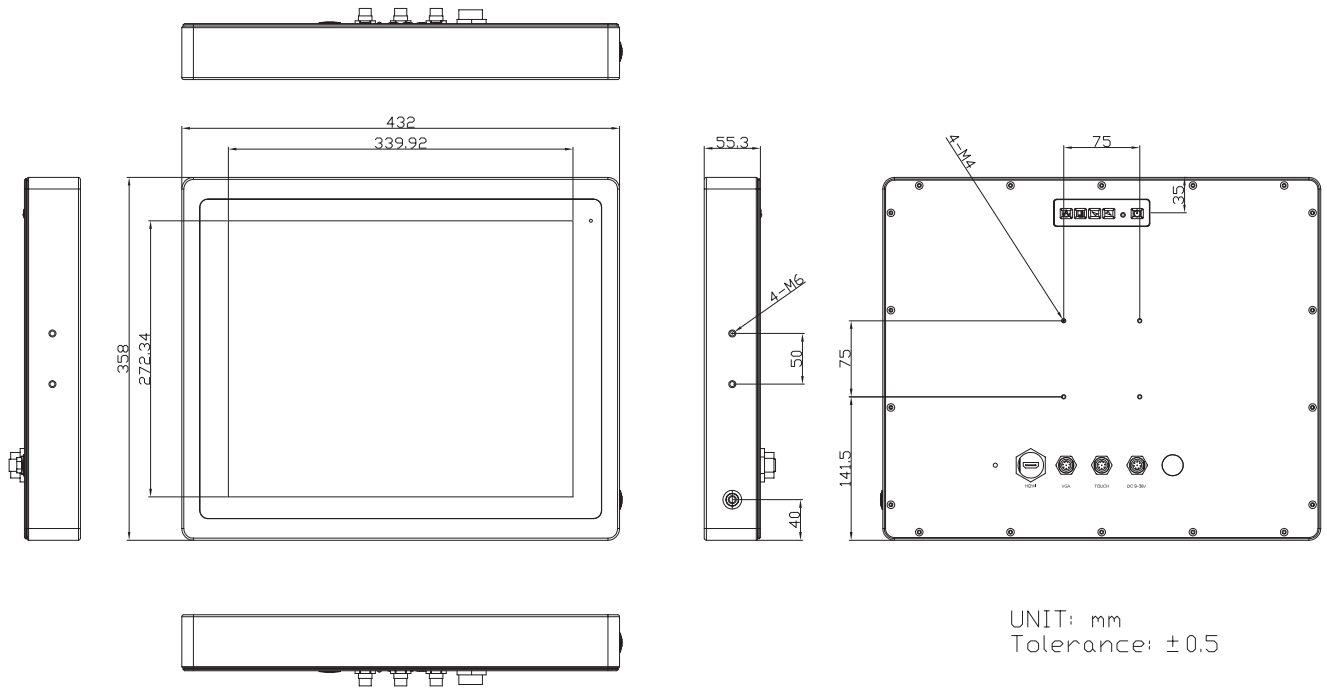
unit:mm

ViTAM-116 P/R/G(H)



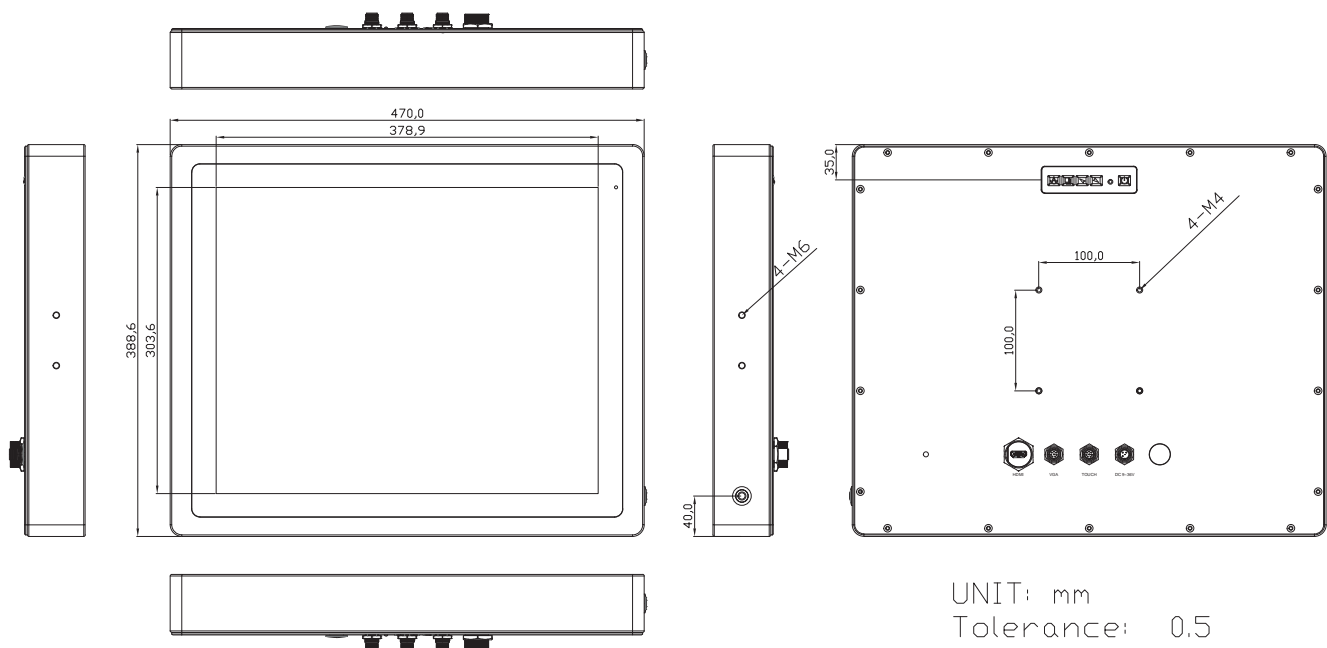
unit:mm

ViTAM-117 P/R/G(H)



unit:mm

ViTAM-119 P/R/G(H)

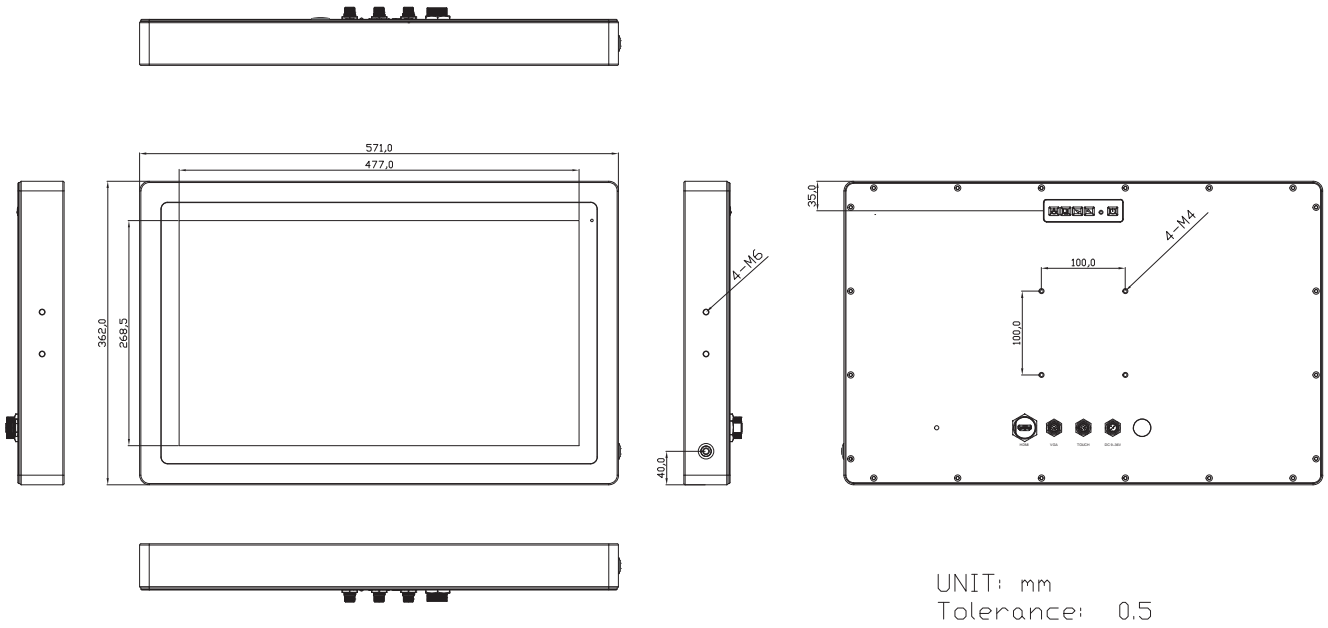


unit:mm

ViTAM-1XX Series

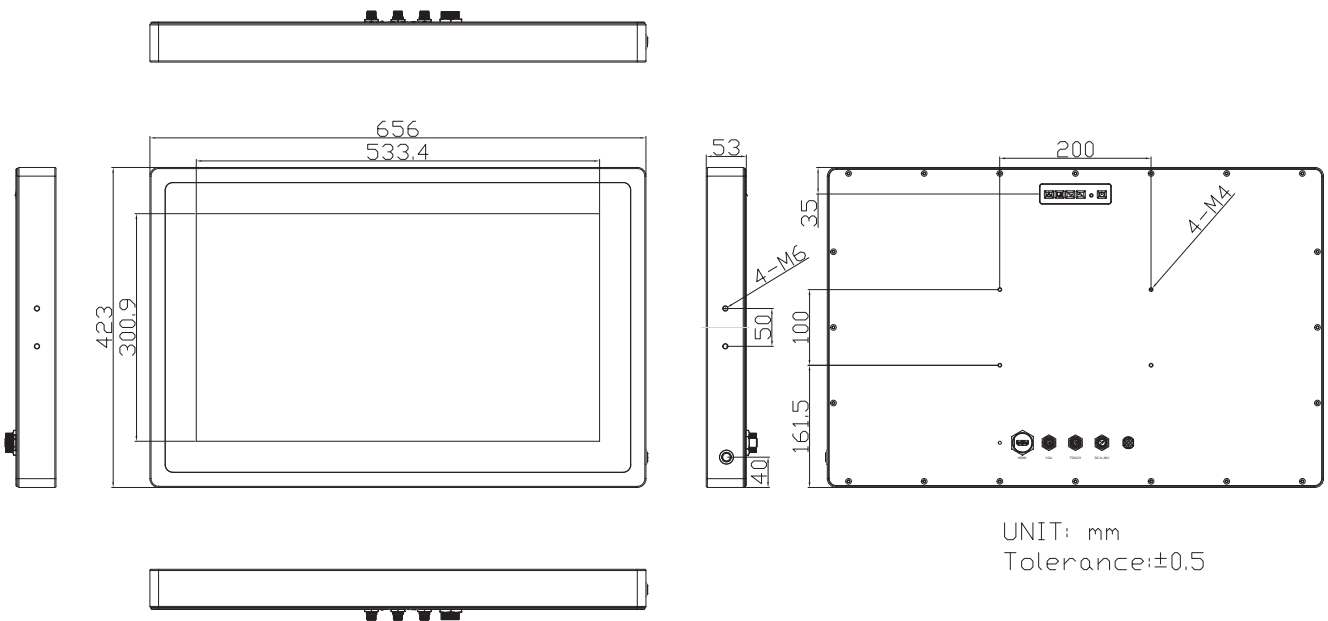
IP66/IP69K Stainless Steel Display

ViTAM-121 P/R/G(H)



unit:mm

ViTAM-124 P/G(H)



unit:mm

Ordering information

Model NO.	Description
ViTAM-110G	10.1" WXGA IP66/IP69K stainless steel display, VGA/HDMI input, OSD on the rear side, protection glass, 9~36V DC power input with Adapter
ViTAM-110P	10.1" WXGA IP66/IP69K stainless steel display, VGA/HDMI input, OSD on the rear side, projected capacitive touch, 9~36V DC power input with Adapter
ViTAM-110R	10.1" WXGA IP66/IP69K stainless steel display, VGA/HDMI input, OSD on the rear side, 5 wire resistive touch window, 9~36V DC power input with Adapter
ViTAM-112G	12.1" SVGA IP66/IP69K stainless steel display, VGA/HDMI input, OSD on the rear side, protection glass, 9~36V DC power input with Adapter
ViTAM-112P	12.1" SVGA IP66/IP69K stainless steel display, VGA/HDMI input, OSD on the rear side, projected capacitive touch, 9~36V DC power input with Adapter
ViTAM-112R	12.1" SVGA IP66/IP69K stainless steel display, VGA/HDMI input, OSD on the rear side, 5 wire resistive touch window, 9~36V DC power input with Adapter
ViTAM-115G	15" XGA IP66/IP69K stainless steel display, VGA/HDMI input, OSD on the rear side, protection glass, 9~36V DC power input with Adapter
ViTAM-115P	15" XGA IP66/IP69K stainless steel display, VGA/HDMI input, OSD on the rear side, projected capacitive touch, 9~36V DC power input with Adapter
ViTAM-115R	15" XGA IP66/IP69K stainless steel display, VGA/HDMI input, OSD on the rear side, 5 wire resistive touch window, 9~36V DC power input with Adapter
ViTAM-116G	15.6" WXGA IP66/IP69K stainless steel display, VGA/HDMI input, OSD on the rear side, protection glass, 9~36V DC power input with Adapter
ViTAM-116P	15.6" WXGA IP66/IP69K stainless steel display, VGA/HDMI input, OSD on the rear side, projected capacitive touch, 9~36V DC power input with Adapter
ViTAM-116R	15.6" WXGA IP66/IP69K stainless steel display, VGA/HDMI input, OSD on the rear side, 5 wire resistive touch window, 9~36V DC power input with Adapter
ViTAM-117G	17" SXGA IP66/IP69K stainless steel display, VGA/HDMI input, OSD on the rear side, protection glass, 9~36V DC power input with Adapter
ViTAM-117P	17" SXGA IP66/IP69K stainless steel display, VGA/HDMI input, OSD on the rear side, projected capacitive touch, 9~36V DC power input with Adapter
ViTAM-117R	17" SXGA IP66/IP69K stainless steel display, VGA/HDMI input, OSD on the rear side, 5 wire resistive touch window, 9~36V DC power input with Adapter
ViTAM-119G	19" SXGA IP66/IP69K stainless steel display, VGA/HDMI input, OSD on the rear side, protection glass, 9~36V DC power input with Adapter
ViTAM-119P	19" SXGA IP66/IP69K stainless steel display, VGA/HDMI input, OSD on the rear side, projected capacitive touch, 9~36V DC power input with Adapter
ViTAM-119R	19" SXGA IP66/IP69K stainless steel panel display, VGA/HDMI input, OSD on the rear side, 5 wire resistive touch window, 9~36V DC power input with Adapter
ViTAM-121G	21.5" FHD IP66/IP69K stainless steel display, VGA/HDMI input, OSD on the rear side, protection glass, 9~36V DC power input with Adapter
ViTAM-121P	21.5" FHD IP66/IP69K stainless steel display, VGA/HDMI input, OSD on the rear side, projected capacitive touch, 9~36V DC power input with Adapter
ViTAM-121R	21.5" FHD IP66/IP69K stainless steel display, VGA/HDMI input, OSD on the rear side, 5 wire resistive touch window, 9~36V DC power input with Adapter
ViTAM-124G	24" FHD IP66/IP69K stainless steel display, VGA/HDMI input, OSD on the rear side, protection glass, 9~36V DC power input with Adapter
ViTAM-124P	24" FHD IP66/IP69K stainless steel display, VGA/HDMI input, OSD on the rear side, projected capacitive touch, 9~36V DC power input with Adapter

ViTAM-1XX Series

IP66/IP69K Stainless Steel Display

Ordering information

Model NO.	Description
ViTAM-110GH	10.1" WXGA IP66/IP69K stainless steel display, VGA/HDMI input, OSD on the rear side, protection glass, 9~36V DC power input with Adapter, 1,000 nits LCD
ViTAM-110PH	10.1" WXGA IP66/IP69K stainless steel display, VGA/HDMI input, OSD on the rear side, projected capacitive touch, 9~36V DC power input with Adapter, 1,000 nits LCD
ViTAM-110RH	10.1" WXGA IP66/IP69K stainless steel display, VGA/HDMI input, OSD on the rear side, 5 wire resistive touch window, 9~36V DC power input with Adapter, 1,000 nits LCD
ViTAM-112GH	12.1" SVGA IP66/IP69K stainless steel display, VGA/HDMI input, OSD on the rear side, protection glass, 9~36V DC power input with Adapter, 1,000 nits LCD
ViTAM-112PH	12.1" SVGA IP66/IP69K stainless steel display, VGA/HDMI input, OSD on the rear side, projected capacitive touch, 9~36V DC power input with Adapter, 1,000 nits LCD
ViTAM-112RH	12.1" SVGA IP66/IP69K stainless steel display, VGA/HDMI input, OSD on the rear side, 5 wire resistive touch window, 9~36V DC power input with Adapter, 1,000 nits LCD
ViTAM-115GH	15" XGA IP66/IP69K stainless steel display, VGA/HDMI input, OSD on the rear side, protection glass, 9~36V DC power input with Adapter, 1,000 nits LCD
ViTAM-115PH	15" XGA IP66/IP69K stainless steel display, VGA/HDMI input, OSD on the rear side, projected capacitive touch, 9~36V DC power input with Adapter, 1,000 nits LCD
ViTAM-115RH	15" XGA IP66/IP69K stainless steel display, VGA/HDMI input, OSD on the rear side, 5 wire resistive touch window, 9~36V DC power input with Adapter, 1,000 nits LCD
ViTAM-116GH	15.6" WXGA IP66/IP69K stainless steel display, VGA/HDMI input, OSD on the rear side, protection glass, 9~36V DC power input with Adapter, 1,000 nits LCD
ViTAM-116PH	15.6" WXGA IP66/IP69K stainless steel display, VGA/HDMI input, OSD on the rear side, projected capacitive touch, 9~36V DC power input with Adapter, 1,000 nits LCD
ViTAM-116RH	15.6" WXGA IP66/IP69K stainless steel display, VGA/HDMI input, OSD on the rear side, 5 wire resistive touch window, 9~36V DC power input with Adapter, 1,000 nits LCD
ViTAM-117GH	17" SXGA IP66/IP69K stainless steel display, VGA/HDMI input, OSD on the rear side, protection glass, 9~36V DC power input with Adapter, 1,000 nits LCD
ViTAM-117PH	17" SXGA IP66/IP69K stainless steel display, VGA/HDMI input, OSD on the rear side, projected capacitive touch, 9~36V DC power input with Adapter, 1,000 nits LCD
ViTAM-117RH	17" SXGA IP66/IP69K stainless steel display, VGA/HDMI input, OSD on the rear side, 5 wire resistive touch window, 9~36V DC power input with Adapter, 1,000 nits LCD
ViTAM-119GH	19" SXGA IP66/IP69K stainless steel display, VGA/HDMI input, OSD on the rear side, protection glass, 9~36V DC power input with Adapter, 1,000 nits LCD
ViTAM-119PH	19" SXGA IP66/IP69K stainless steel display, VGA/HDMI input, OSD on the rear side, projected capacitive touch, 9~36V DC power input with Adapter, 1,000 nits LCD
ViTAM-119RH	19" SXGA IP66/IP69K stainless steel panel display, VGA/HDMI input, OSD on the rear side, 5 wire resistive touch window, 9~36V DC power input with Adapter, 1,000 nits LCD
ViTAM-121GH	21.5" FHD IP66/IP69K stainless steel display, VGA/HDMI input, OSD on the rear side, protection glass, 9~36V DC power input with Adapter, 1,000 nits LCD
ViTAM-121PH	21.5" FHD IP66/IP69K stainless steel display, VGA/HDMI input, OSD on the rear side, projected capacitive touch, 9~36V DC power input with Adapter, 1,000 nits LCD
ViTAM-121RH	21.5" FHD IP66/IP69K stainless steel display, VGA/HDMI input, OSD on the rear side, 5 wire resistive touch window, 9~36V DC power input with Adapter, 1,000 nits LCD
ViTAM-124GH	24" FHD IP66/IP69K stainless steel display, VGA/HDMI input, OSD on the rear side, protection glass, 9~36V DC power input with Adapter, 1,000 nits LCD
ViTAM-124PH	24" FHD IP66/IP69K stainless steel display, VGA/HDMI input, OSD on the rear side, projected capacitive touch, 9~36V DC power input with Adapter, 1,000 nits LCD

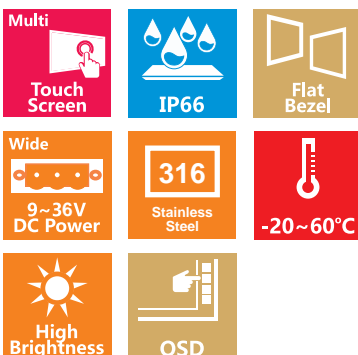


AEx-1XXP(H) Series

Stainless Steel Display for Hazardous Locations

ATEX/IECEX/C1D2 Certified Display

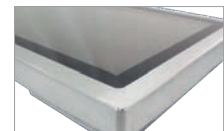
- Full Flat Bezel and Fanless Design
- Total IP66 Grade with M12 Waterproof connector
- Wide range DC 9~36V Power Input
- Support panel & VESA mount
- High Brightness
- Stainless steel OSD Function Key



SS 316 Stainless steel



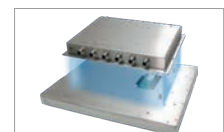
Full Flat Bezel and Fanless Design



Total IP66 Grade with M12 Waterproof connector



Modular design



Stainless steel OSD Function Key



AEx-1XXP(H) Series

ATEX/IECEX/C1D2 Certified Display



Specifications

Model Name	AEX-115P	AEX-115PH	AEX-116P
I/O Port			
VGA	1 x M12 12-pin for VGA with waterproof cover and chain		
OSD Control	1 x OSD cable & external OSD Box		
Other	1 x M12 8-pin for USB 2.0 with waterproof cover and chain		
Power connector	1 x M12 3-pin for DC power with waterproof cover and chain		
Display			
Display type	15" TFT-LCD	15" TFT-LCD	15.6" TFT-LCD
Max. resolution	1024 x 768	1024 x 768	1366 x 768
Max. color	16.2M	16.2M	16.2M
Luminance(cd/m ²)	450	1000	400
View angle(H°/V°)	160/150	160/150	160/140
Contrast	800: 1	800: 1	700: 1
Backlight lifetime(hrs)	70000	50000	50000
Touch Screen			
Type	Projected Capacitive Touch		
Interface	RS-232 / USB		
Light transmission(%)	90%		
Power			
Power input	9~36V DC		
Power Consumption (TYP.)	AEX-115P: 10W		AEX-116P: 12W
Mechanical			
Construction	316 Stainless steel chassis		
IP rating	Total IP66		
Mounting	VESA Mount 100 x 100, Pamel Mount (option)		
Dimension(mm)	399 x 324 x 70	399 x 324 x 70	440 x 290 x 75
Net weight(Kg)	8.5	8.4	9.6
Environment			
Operating temperature(°C)	-20~60		-10~60
Storage temperature(°C)	-30~70		
Humidity	10 to 95% @ 40°C, non- condensing		
Safety	Meet CSA C22.2 No.61010		
Certification	Meet CE / FCC Class A ATEX Zone2 Ex nA ic IIC T4 Gc Class I, Division 2, Group ABCD T4 ANSI/ISA 12.12.01-2013 CSA Std. C22.2 No213-M1987		



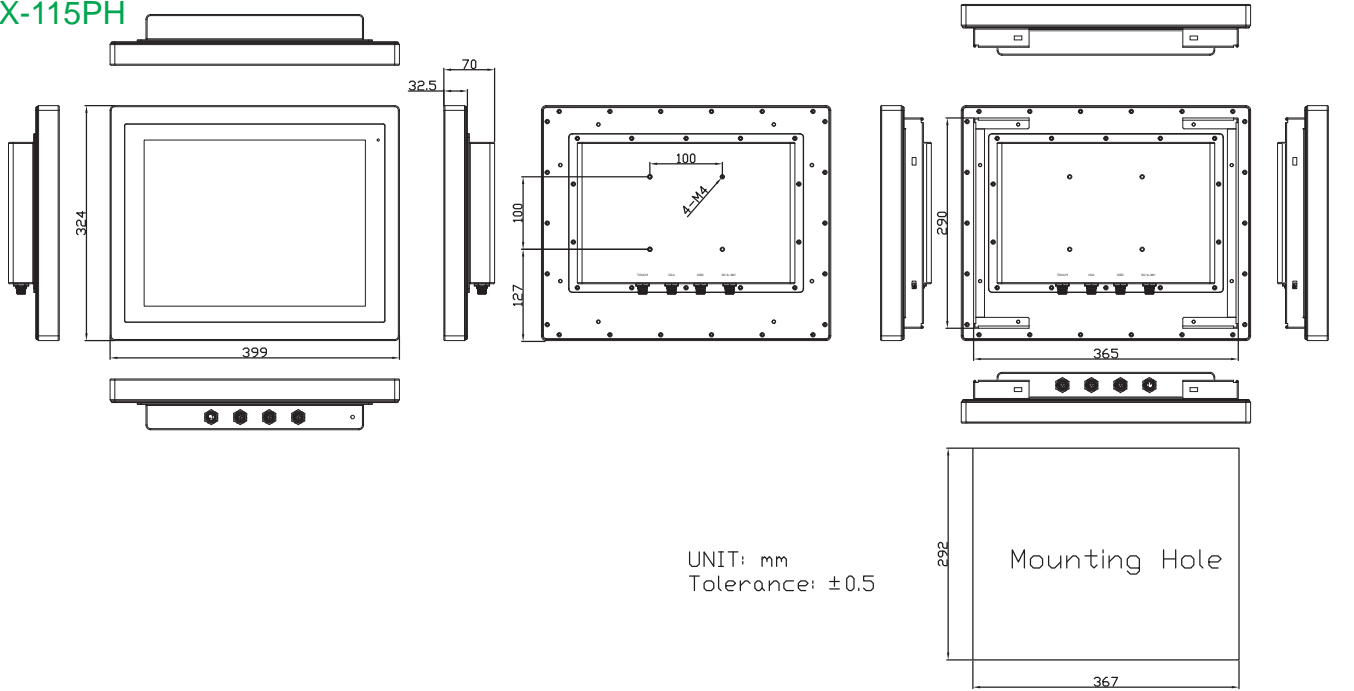
Specifications

Model Name	AEX-119P	AEX-119PH	AEX-121P
I/O Port			
VGA	1 x M12 12-pin for VGA with waterproof cover and chain		
OSD Control	1 x OSD cable & external OSD Box		
Other	1 x M12 8-pin for USB 2.0 with waterproof cover and chain		
Power connector	1 x M12 3-pin for DC power with waterproof cover and chain		
Display			
Display type	19" TFT-LCD	19" TFT-LCD	21.5" TFT-LCD
Max. resolution	1280 x 1024	1280 x 1024	1920 x 1080
Max. color	16.7M	16.7M	16.7M
Luminance(cd/m ²)	350	1000	300
View angle(H°/V°)	170/160	170/160	178/178
Contrast	1000:1	1000:1	3000:1
Backlight lifetime(hrs)	70000	70000	50000
Touch Screen			
Type	Projected Capacitive Touch		
Interface	USB		
Light transmission(%)	90%		
Power			
Power input	DC 9~36V		
Power Consumption (TYP.)	AEX-119P: 20W		TBD
Mechanical			
Construction	316 Stainless steel chassis		
IP rating	Total IP66		
Mounting	VESA Mount 100 x 100, Pamel Mount (option)		
Dimension(mm)	470 x 388.6 x 75	470 x 388.6 x 75	571 x 362 x 75.1
Net weight(Kg)	11.5	TBD	TBD
Environment			
Operating temperature(°C)	-20~60		0~60
Storage temperature(°C)	-30~70		
Humidity	10 to 95% @ 40°C, non- condensing		
Safety	Meet CSA C22.2 No.61010		
Certification	Meet CE / FCC Class A ATEX Zone2 Ex nA ic IIC T4 Gc Class I, Division 2, Group ABCD T4 ANSI/ISA 12.12.01-2013 CSA Std. C22.2 No213-M1987		

AEx-1XXP(H) Series

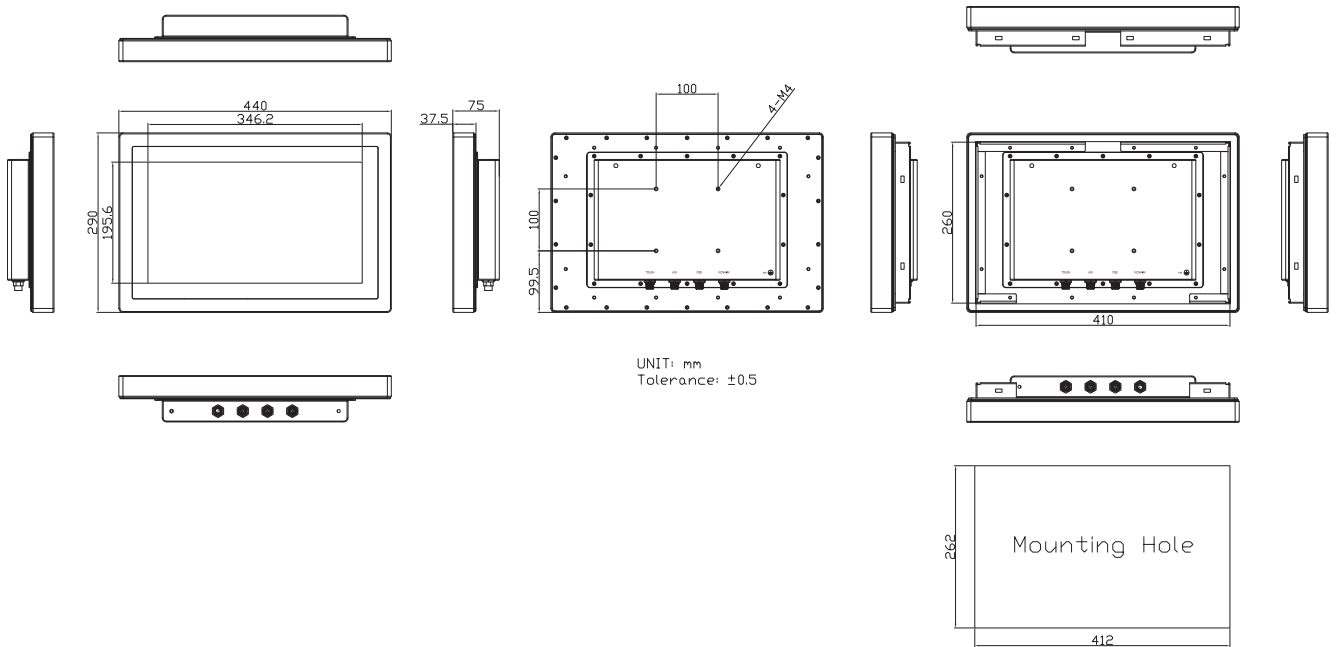
ATEX/IECEX/C1D2 Certified Display

AEX-115P AEX-115PH



unit:mm

AEX-116P

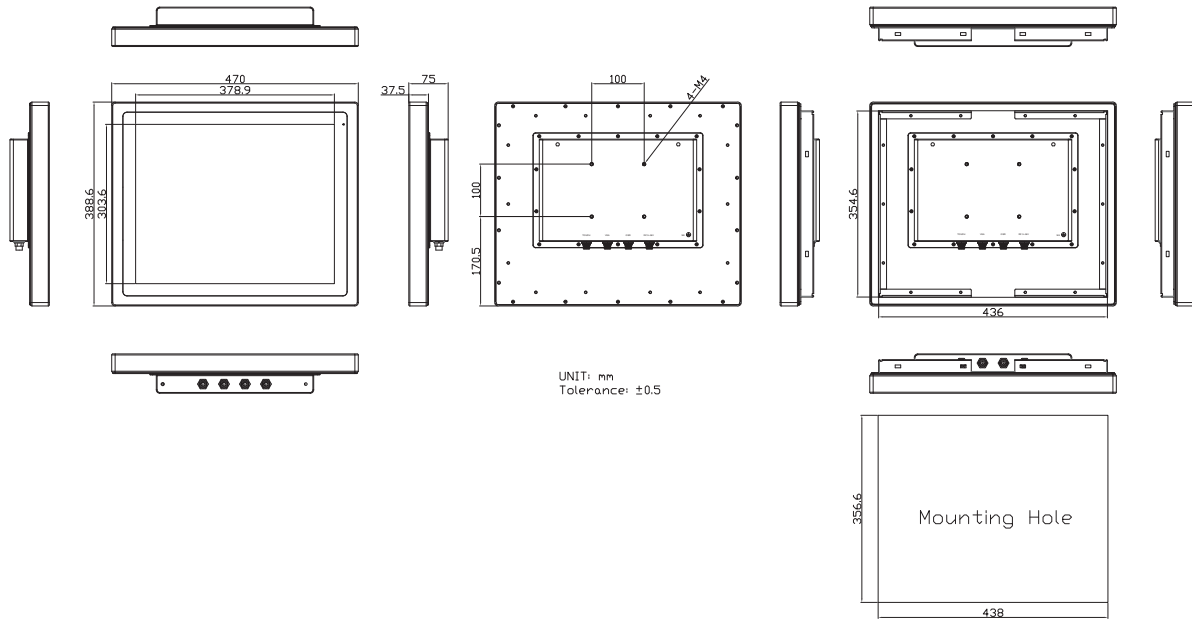


unit:mm

Ordering information

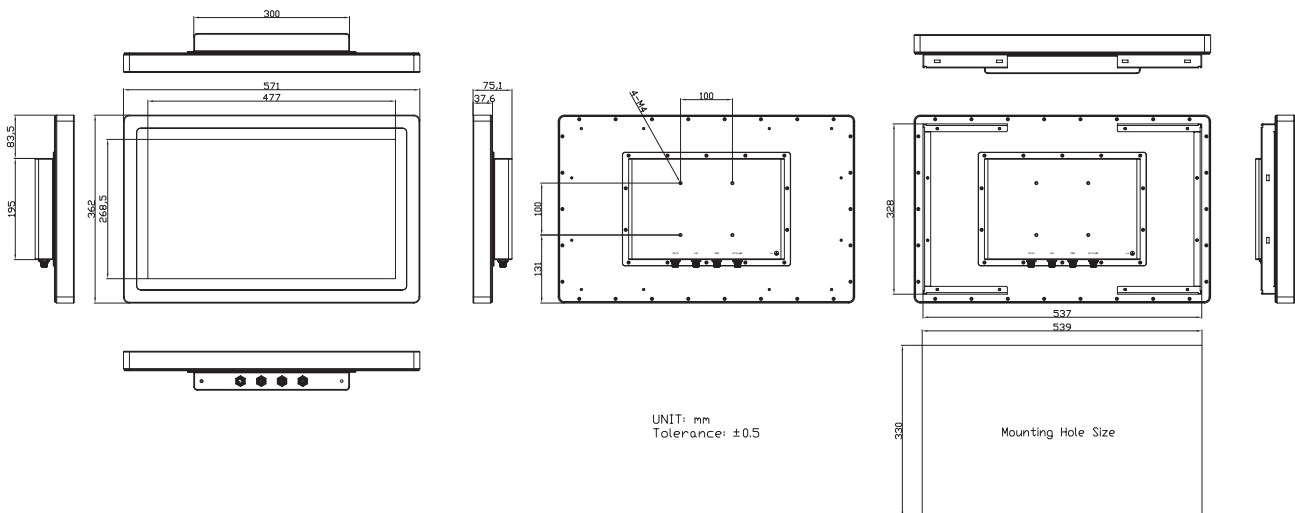
Model NO.	Description
AEX-115P-01	15" XGA industrial display, Totally IP66, VGA input, External OSD Box, Projected Capacitive touch, DC 9~36V power input, SS316
AEX-115PH-01	15" XGA high brightness industrial display, Totally IP66, VGA input, External OSD Box, Projected Capacitive touch, DC 9~36V power input, SS316
AEX-116P-01	16" FHD industrial display, Totally IP66, VGA input, External OSD Box, Projected Capacitive touch, DC 9~36V power input, SS316

AEX-119P
AEX-119PH



unit:mm

AEX-121P



unit:mm

Ordering information

Model NO.	Description
AEX-119P-01	19" SXGA industrial display, Totally IP66, VGA input, External OSD Box, Projected Capacitive touch, DC 9~36V power input, SS316
AEX-119PH-01	19" SXGA high brightness industrial display, Totally IP66, VGA input, External OSD Box, Projected Capacitive touch, DC 9~36V power input, SS316
AEX-121P-01	21.5" FHD industrial display, Totally IP66, VGA input, External OSD Box, Projected Capacitive touch, DC 9~36V power input, SS316

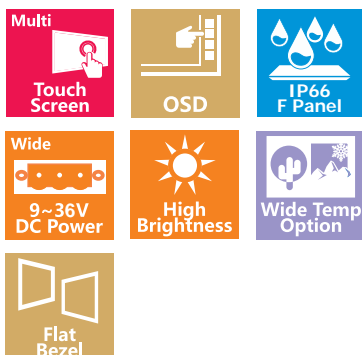


ARCDIS-1XXAP/R/G(H) Series

New Generation Display

FPD Aluminum Die-Casting Display

- Aluminum Die-Casting Enclosure
- Optional Resistive Touch Window or Projected Capacitive Touch
- Front Bezel IP66 Rating / IP69K for option
- Rear Side OSD
- Wide Range DC 9~36V Power Input



Easy to use OSD function key



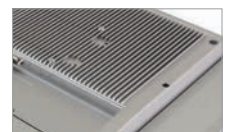
Support panel & VESA mount



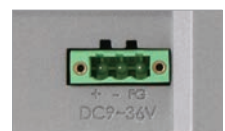
Flat Front Panel Design



Aluminum Die-Casting Chassis



Wide Range DC 9~36V Power Input





Specifications

Model Name	ARCDIS-107AP(H) ARCDIS-107AR(H) ARCDIS-107AG(H)		ARCDIS-108AP(H) ARCDIS-108AR(H) ARCDIS-108AG(H)		ARCDIS-110AP(H) ARCDIS-110AR(H) ARCDIS-110AG(H)	
I/O Port						
VGA	1					
DVI	1 x DVI-D (share with DHMI)					
HDMI	1 x HDMI (share with DVI-D)					
DP	1					
Audio	1 x line-in					
OSD Control Membrane	5 keys at Rear					
Other	1 x USB type B for touch 1 x RS-232 DB9 for touch (option)					
Power connector	1 x 3 pins Terminal Block Connector					
Display						
	Standard	High Brightness	Standard	High Brightness	Standard	High Brightness
Display type	7" TFT-LCD		8" TFT-LCD		10.1" TFT-LCD	
Max. resolution	800 x 480		800 x 600		1280 x 800	
Max. color	262K	262K	16.2M	16.2M	16.7M	16.7M
Luminance(cd/m ²)	350	1000	350	1000	350	1000
View angle(H°/V°)	120/140	140/130	140/120	140/125	170/170	170/170
Contrast	500: 1	500: 1	500: 1	1000: 1	800: 1	800: 1
Backlight lifetime(hrs)	50000	50000	30000	50000	25000	50000
Option	Optical Bonding					
Touch Screen						
Type	Resistive Touch(For AR model) Projected Capacitive(For AP model) Glass(For AG model)					
Interface	USB RS-232 option for AR model					
Light transmission(%)	Resistive Touch : 80% Projected Capacitive : 90%					
Power						
Power input	DC 9~36V					
Power Consumption (TYP.)	ARCDIS-107AP: 2.4W		ARCDIS-108AP: 3.6W		ARCDIS-110AP: 8.6W	
Mechanical						
Construction	Aluminum Die-casting Chassis					
IP rating	IP66 compliant front bezel / IP69K (option)					
Mounting	Panel Mount, VESA Mount 75 x 75				Panel Mount, VESA Mount 100 x 100	
Dimension(mm)	202 x 149 x 40		231.1 x 176.1 x 50		285 x 189 x 48.9	
Net weight(Kg)	1.0		1.8		2.1	
Environment						
Operating temperature(°C)	0~50 / -20~60 (option)					
Storage temperature(°C)	-30~70					
Humidity	10 to 95% @ 40°C, non- condensing					
Certification	CE/FCC Class A					

ARCDIS-1XXAP/R/G(H) Series

FPD Aluminum Die-Casting Display



Specifications

Model Name	ARCDIS-112AP(H) ARCDIS-112AR(H) ARCDIS-112AG(H)		ARCDIS-115AP(H) ARCDIS-115AR(H) ARCDIS-115AG(H)		ARCDIS-116AP(H) ARCDIS-116AR(H) ARCDIS-116AG(H)		ARCDIS-117AP(H) ARCDIS-117AR(H) ARCDIS-117AG(H)									
I/O Port																
VGA	1 x VGA															
DVI	1 x DVI-D (share with HDMI)															
HDMI	1 x HDMI (share with DVI-D)															
DP	1															
Audio	1 x line-in															
OSD Control Membrane	5 keys at Rear															
Other	1 x USB type B for touch 1 x RS-232 DB9 for touch (option)															
Power connector	1 x 3-pin terminal block connector															
Display																
	Standard		High Brightness		Standard		High Brightness		Standard		High Brightness					
Display type	12.1" TFT-LCD				15" TFT-LCD				15.6" TFT-LCD				17" TFT-LCD			
Max. resolution	800 x 600	1024x768	800 x 600	1024x768	1024 x 768				1366 x 768				1280 x 1024			
Max. color	262K	16.2M	16.2M	16.2M	16.7M	16.7M	16.7M	16.7M	16.2M	16.7M	16.2M	16.7M				
Luminance(cd/m ²)	450	500	1000	1000	300	1000	300	1000	350	1000	350	1000				
View angle(H°/V°)	160/150	160/140	178/178	160/140	176/176	160/150	160/160	160/160	170/ 160	160/160	170/ 160	170/ 160				
Contrast	800: 1	700: 1	700: 1	700: 1	2000: 1	800: 1	500: 1	500: 1	1000: 1	1000: 1	1000: 1	1000: 1				
Backlight lifetime(hrs)	50000	30000	50000	50000	70000	50000	50000	50000	30000	50000	30000	50000				
Option	Optical Bonding															
Touch Screen																
Type	Resistive Touch(For AR model) Projected Capacitive(For AP model) Glass(For AG model)															
Interface	USB RS-232 option for AR model															
Light transmission(%)	Resistive Touch : 80% Projected Capacitive and Glass: 90%															
Power																
Power input	DC 9~36V															
Power Consumption (TYP.)	ARCDIS-112AP: 9W			ARCDIS-115AP: 9W			ARCDIS-116AP: 13W			ARCDIS-117AP: 11W						
Mechanical																
Construction	Aluminum Die-casting Chassis															
IP rating	IP66 compliant front bezel / IP69K (option)															
Mounting	Panel Mount, VESA Mount 100 x 100															
Dimension(mm)	319 x 245 x 51.6			410 x 310 x 54.6			412 x 277.5 x 58.9			439 x 348 x 64.8						
Net weight(Kg)	2.7			4.3			4.4			5.9						
Environment																
Operating temperature(°C)	0~50 / -20~60 (option)						0~50									
Storage temperature(°C)	-30~70															
Humidity	10 to 95% @ 40°C, non- condensing															
Certification	CE/FCC Class A															

ARCDIS-1XXAP/G/R(H) Series

FPD Aluminum Die-Casting Display

Specifications



Model Name	ARCDIS-118AP(H) ARCDIS-118AR(H) ARCDIS-118AG(H)		ARCDIS-119AP(H) ARCDIS-119AR(H) ARCDIS-119AG(H)		ARCDIS-121AP(H) ARCDIS-121AR(H) ARCDIS-121AG(H)		ARCDIS-124AP(H) ARCDIS-124AG(H)	
I/O Port								
VGA	1 x VGA							
DVI	1 x DVI-D (share with HDMI)							
HDMI	1 x HDMI (share with DVI-D)							
DP	1							
Audio	1 x line-in							
OSD Control Membrane	5 keys at Rear							
Other	1 x USB type B for touch 1 x RS-232 DB9 for touch (option)				1 x USB type B for touch			
Power connector	1 x 3 pins Terminal Block Connector							
Display	Standard	High Brightness	Standard	High Brightness	Standard	High Brightness	Standard	High Brightness
Display type	18.5" TFT-LCD		19" TFT-LCD		21.5" TFT-LCD		23.8" TFT-LCD	
Max. resolution	1366 x 768		1280 x 1024		1920 x 1080		1920 x 1080	
Max. color	16.7M	16.7M	16.7M	16.7M	16.7M	16.7M	16.7M	16.7M
Luminance(cd/m ²)	300	1000	350	1000	250	1000	250	1000
View angle(H°/V°)	170 / 160	170 / 160	170 / 160	170 / 160	178 / 178	178 / 178	178 / 178	178 / 178
Contrast	1000: 1	1000: 1	1000: 1	1000: 1	3000: 1	3000: 1	3000: 1	5000: 1
Backlight lifetime(hrs)	50000	50000	50000	50000	30000	50000	30000	50000
Option	Optical Bonding							
Touch Screen								
Type	Resistive Touch(For AR model) Projected Capacitive(For AP model) Glass(For AG model)						Projected Capacitive(For AP model) Glass(For AG model)	
Interface	USB/RS-232 (Projected Capacitive Touch Only Support USB)							
Light transmission(%)	Resistive touch window : 80% Projected Capacitive Touch and Glass: 90%							
Power								
Power input	DC 9~36V							
Power Consumption (TYP.)	ARCDIS-118AP: 19W		ARCDIS-119AP: 17W		ARCDIS-121AP: 18W		ARCDIS-124AP: 21W	
Mechanical								
Construction	Aluminum Die-casting Chassis							
IP rating	IP66 compliant front bezel / IP69K (option)							
Mounting	Panel Mount, VESA Mount 100 x 100						Panel Mount, VESA Mount 200 x 100	
Dimension(mm)	499.6 x 314.6 x 59.9		468 x 380 x 64.8		557 x 362 x 64.8		640 x 395 x 44	
Net weight(Kg)	6.4		6.2		7.6		8.9	
Environment								
Operating temperature(°C)	0~50 (0~40 only for ARCDIS-121APH/ARCDIS-121ARH/ARCDIS-121AGH - 21.5" high brightness model)							
Storage temperature(°C)	-30~70							
Humidity	10 to 95% @ 40°C, non- condensing							
Certification	CE/FCC Class A							

Stainless Steel Panel PC

Industrial Panel PC

HMI

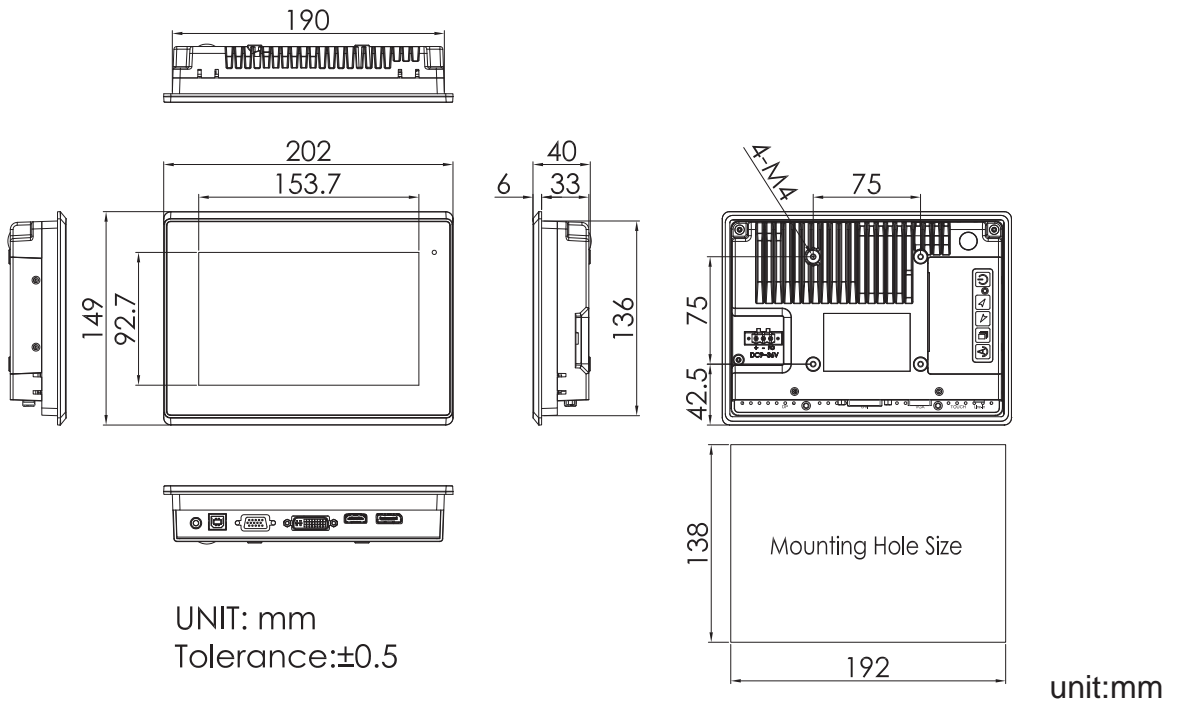
Embedded Box PC

Display

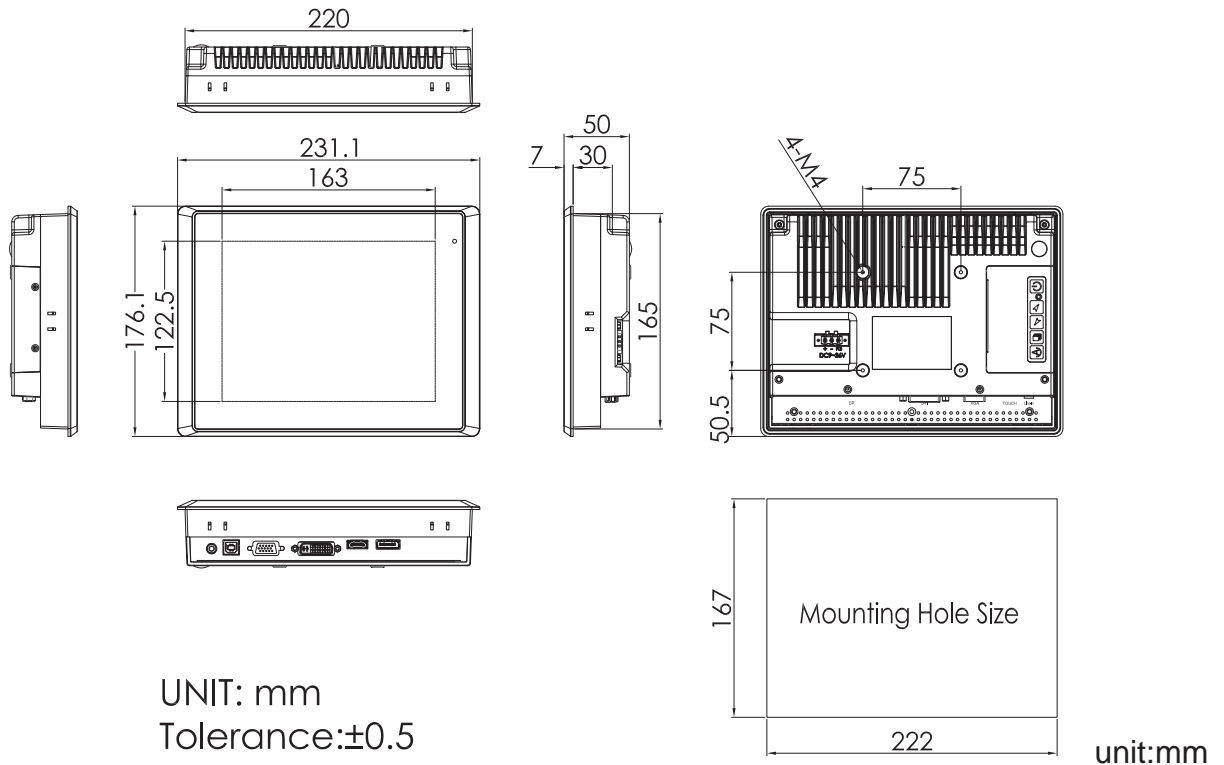
ARCDIS-1XXAP/R/G(H) Series

FPD Aluminum Die-Casting Display

ARCDIS-107AP/R/G(H)



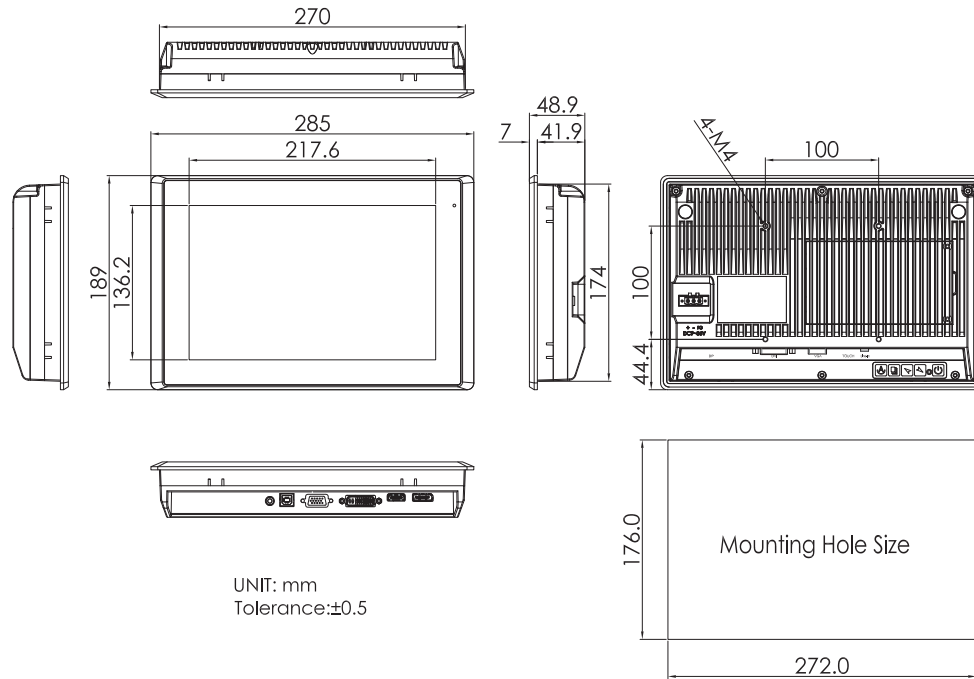
ARCDIS-108A P/R/G(H)



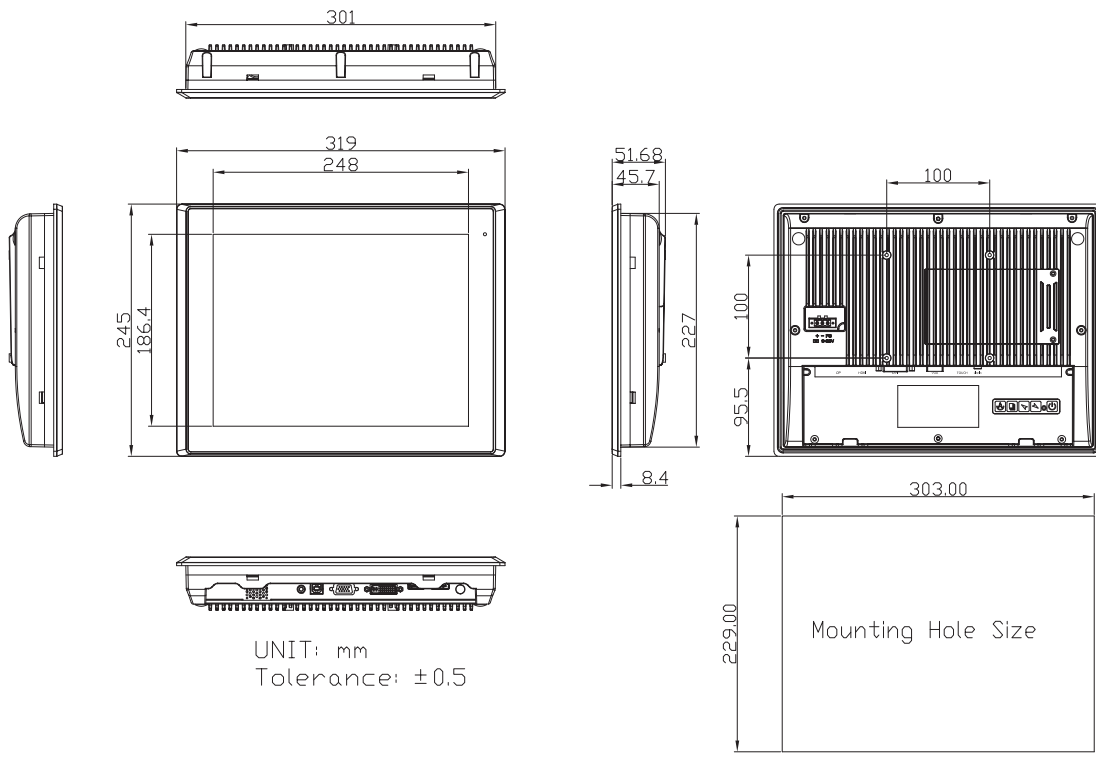
Ordering information

Model NO.	Description
ARCDIS-107AR-01	7" FPD Industrial display, Resistive touch window, VGA, DVI, HDMI, and DP input, 5 keys Rear OSD, DC 9~36V power input with adapter, Aluminum Die-casting Chassis
ARCDIS-107AP-01	7" FPD Industrial display, Projected Capacitive touch screen, VGA, DVI, HDMI, and DP input, 5 keys Rear OSD, DC 9~36V power input with adapter, Aluminum Die-casting Chassis
ARCDIS-108AR-01	8" FPD Industrial display, Resistive touch window, VGA, DVI, HDMI, and DP input, 5 keys Rear OSD, DC 9~36V power input with adapter, Aluminum Die-casting Chassis
ARCDIS-108AP-01	8" FPD Industrial display, Projected Capacitive touch screen, VGA, DVI, HDMI, and DP input, 5 keys Rear OSD, DC 9~36V power input with adapter, Aluminum Die-casting Chassis

ARCDIS-110AP/R/G(H)



ARCDIS-112AP/R/G(H)



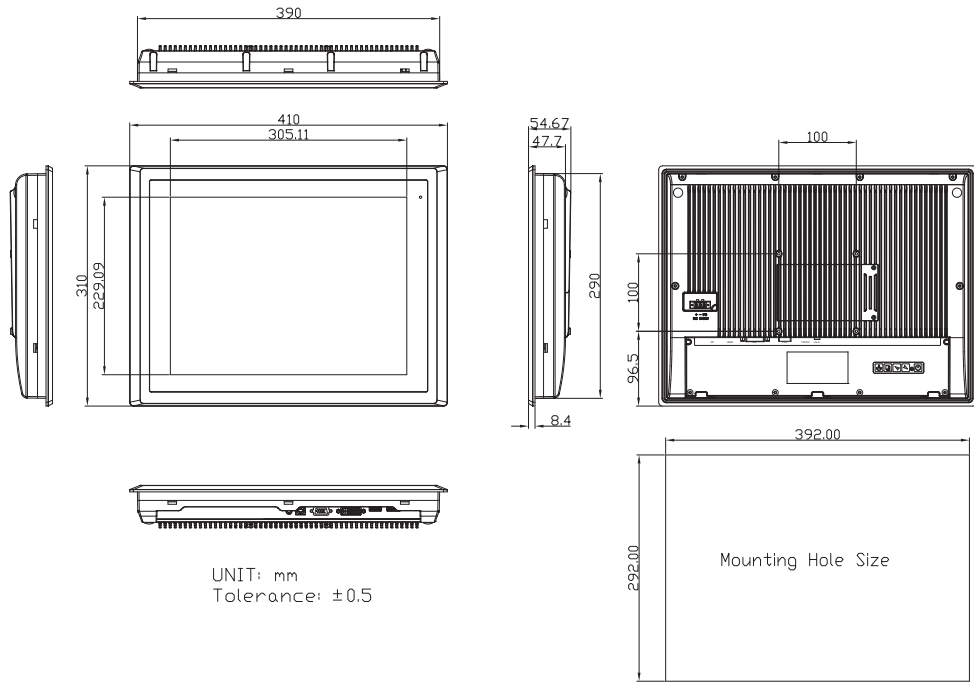
Ordering information

Model NO.	Description
ARCDIS-110AR-01	10.1" FPD Industrial display, Resistive touch window, VGA, DVI, HDMI, and DP input, 5 keys Rear OSD, DC 9~36V power input with adapter, Aluminum Die-casting Chassis
ARCDIS-110AP-01	10.1" FPD Industrial display, Projected Capacitive touch screen, VGA, DVI, HDMI, and DP input, 5 keys Rear OSD, DC 9~36V power input with adapter, Aluminum Die-casting Chassis

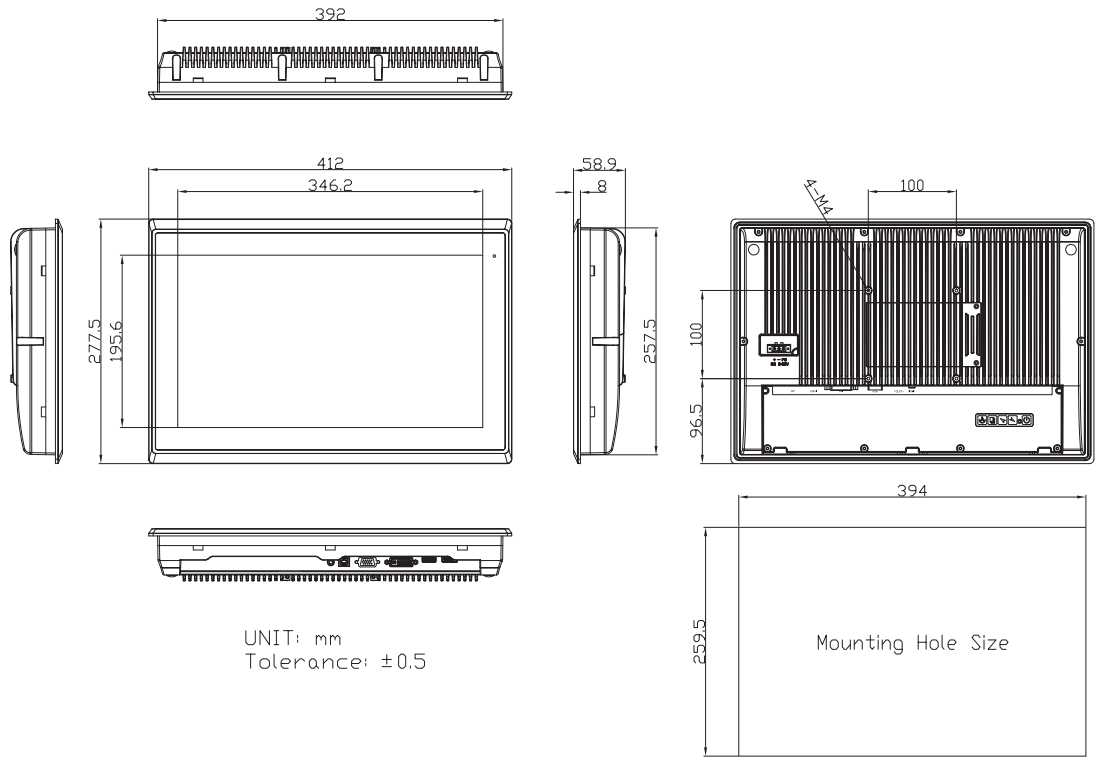
ARCDIS-1XXAP/G/R(H) Series

FPD Aluminum Die-Casting Display

ARCDIS-115AP/R/G(H)



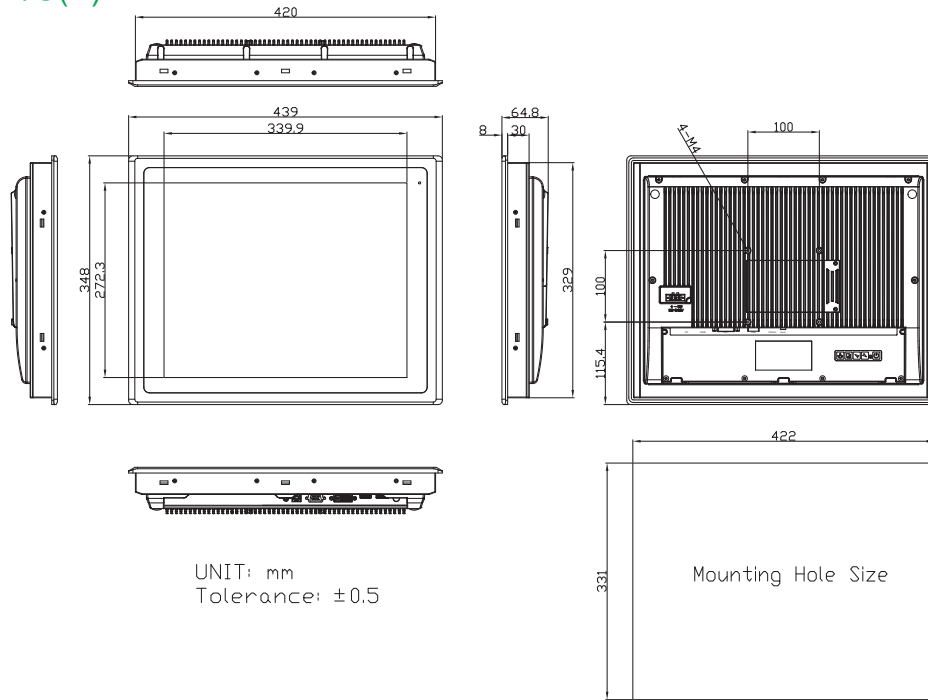
ARCDIS-116AP/R/G(H)



Ordering information

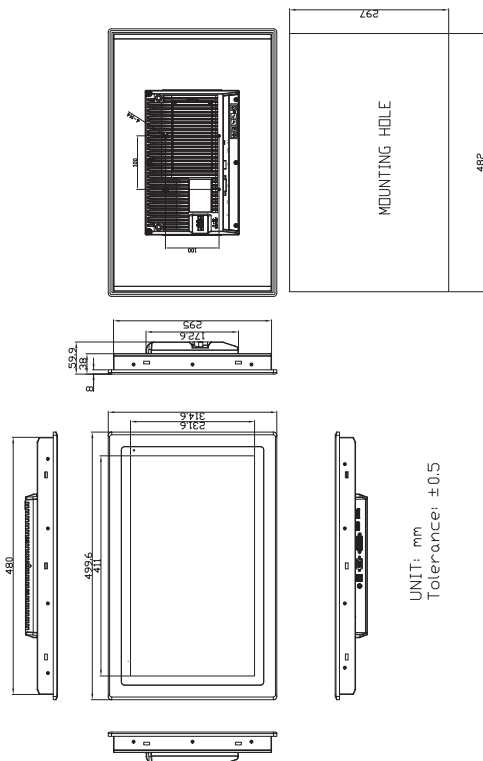
Model NO.	Description
ARCDIS-112AR-01	12.1" SVGA FPD Industrial display, Resistive touch window, VGA, DVI, HDMI, and DP input, 5 keys Rear OSD, DC 9~36V power input with adapter, Aluminum Die-casting Chassis
ARCDIS-112AP-01	12.1" SVGA FPD Industrial display, Projected Capacitive touch screen, VGA, DVI, HDMI, and DP input, 5 keys Rear OSD, DC 9~36V power input with adapter, Aluminum Die-casting Chassis
ARCDIS-115AR-01	15" XGA FPD Industrial display, Resistive touch window, VGA, DVI, HDMI, and DP input, 5 keys Rear OSD, DC 9~36V power input with adapter, Aluminum Die-casting Chassis
ARCDIS-115AP-01	15" XGA FPD Industrial display, Projected Capacitive touch screen, VGA, DVI, HDMI, and DP input, 5 keys Rear OSD, DC 9~36V power input with adapter, Aluminum Die-casting Chassis

ARCDIS-117AP/R/G(H)

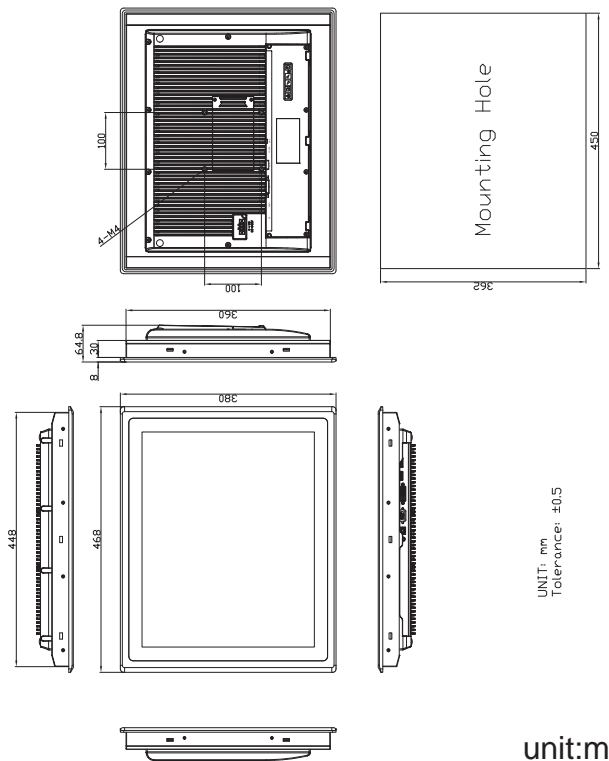


unit:mm

ARCDIS-118A P/R/G(H)



ARCDIS-119A P/R/G(H)



unit:mm

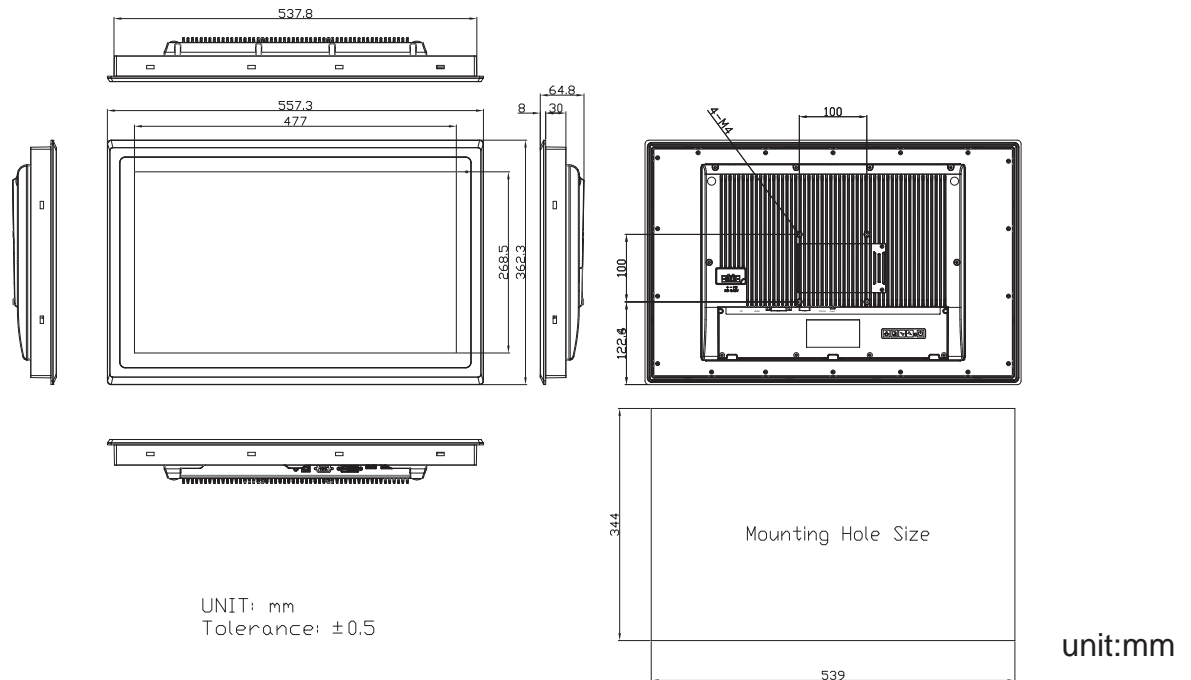
Ordering information

Model NO.	Description
ARCDIS-116AR-01	15.6" WXGA FPD Industrial display, Resistive touch window, VGA, DVI, HDMI, and DP input, 5 keys Rear OSD, DC 9~36V power input with adapter, Aluminum Die-casting Chassis
ARCDIS-116AP-01	15.6" WXGA FPD Industrial display, Projected Capacitive touch screen, VGA, DVI, HDMI, and DP input, 5 keys Rear OSD, DC 9~36V power input with adapter, Aluminum Die-casting Chassis
ARCDIS-117AR-01	17" SXGA FPD Industrial display, Resistive touch window, VGA, DVI, HDMI, and DP input, 5 keys Rear OSD, DC 9~36V power input with adapter, Aluminum Chassis
ARCDIS-117AP-01	17" SXGA FPD Industrial display, Projected Capacitive touch screen, VGA, DVI, HDMI, and DP input, 5 keys Rear OSD, DC 9~36V power input with adapter, Aluminum Chassis

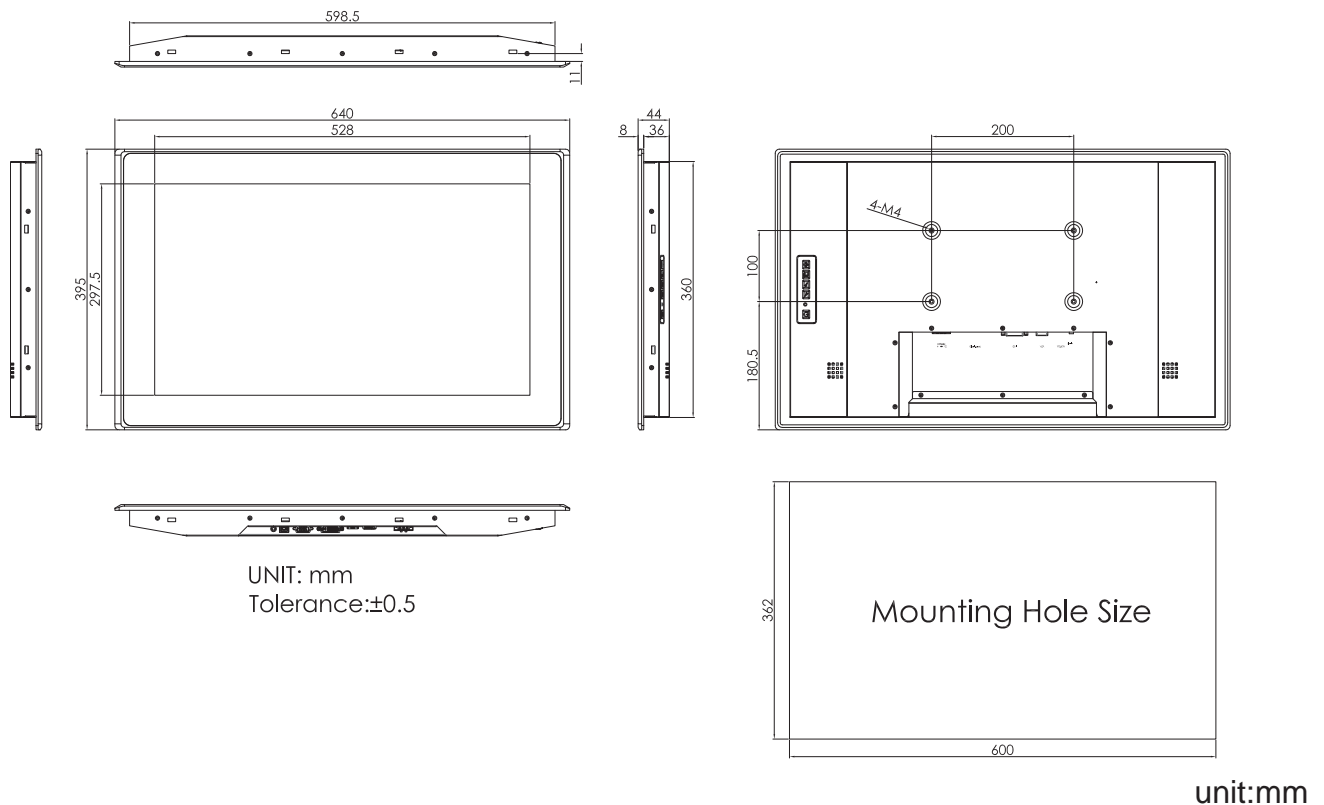
ARCDIS-1XXAP/R/G(H) Series

FPD Aluminum Die-Casting Display

ARCDIS-121AP/R/G(H)



ARCDIS-124A P/G(H)



Ordering information

Model NO.	Description
ARCDIS-118AR-01	18.5" WXGA FPD Industrial display, Resistive touch window, VGA, DVI, HDMI, and DP input, 5 keys Rear OSD, DC 9~36V power input with adapter, Aluminum Chassis
ARCDIS-118AP-01	18.5" WXGA FPD Industrial display, Projected Capacitive touch screen, VGA, DVI, HDMI, and DP input, 5 keys Rear OSD, DC 9~36V power input with adapter, Aluminum Chassis
ARCDIS-119AR-01	19" SXGA FPD Industrial display, Resistive touch window, VGA, DVI, HDMI, and DP input, 5 keys Rear OSD, DC 9~36V power input with adapter, Aluminum Chassis
ARCDIS-119AP-01	19" SXGA FPD Industrial display, Projected Capacitive touch screen, VGA, DVI, HDMI, and DP input, 5 keys Rear OSD, DC 9~36V power input with adapter, Aluminum Chassis
ARCDIS-121AR-01	21.5" FHD FPD Industrial display, Resistive touch window, VGA, DVI, HDMI, and DP input, 5 keys Rear OSD, DC 9~36V power input with adapter, Aluminum Chassis
ARCDIS-121AP-01	21.5" FHD FPD Industrial display, Projected Capacitive touch screen, VGA, DVI, HDMI, and DP input, 5 keys Rear OSD, DC 9~36V power input with adapter, Aluminum Chassis
ARCDIS-124AP-01	24" FHD FPD Industrial display, Projected Capacitive touch screen, VGA, DVI, HDMI, and DP input, 5 keys Rear OSD, DC 9~36V power input with adapter, Aluminum Die-casting Chassis

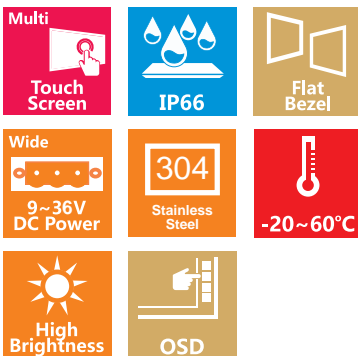


FABS-1XXP(H) Series

Food Safety Grade and Hygienic Design Display

Stainless steel Front Bezel Display

- Stainless steel flat front bezel Display
- Projected capacitive touch or protected glass (Option)
- Wide range DC 9~36V power input
- IP66 compliant front panel / IP69K for option
- VGA, DP, DVI/HDMI input
- OSD on the rear side



Stainless steel flat front bezel Display



Wide range DC 9~36V power input



OSD on the rear side



VGA, DP, DVI/HDMI input



IP66/IP69K compliant front panel



FABS-1XXP(H) Series

Food Safety Grade and Hygienic Design Display



Specifications

Model Name	FABS-107P(H) FABS-107R(H) FABS-107G(H)		FABS-110P(H) FABS-110R(H) FABS-110G(H)		FABS-112P(H) FABS-112R(H) FABS-112G(H)			
I/O Port								
VGA	1							
DVI	1 x DVI-D (share with HDMI)							
HDMI	1 x HDMI (share with DVI-D)							
DP	1							
Audio	1 x line-in							
OSD Control Membrane	5 keys at Rear							
Other	1 x USB type B for touch 1 x RS-232 DB9 for touch (option)							
Power connector	1 x 3 pins Terminal Block Connector							
Display	FABS-107P FABS-107R FABS-107G	FABS-107PH FABS-107RH FABS-107GH	FABS-110P FABS-110R FABS-110G	FABS-110PH FABS-110RH FABS-110GH	FABS-112P FABS-112R FABS-112G	FABS-112PH FABS-112RH FABS-112GH		
Display type	7" TFT-LCD		10.1" TFT-LCD		12.1" TFT-LCD			
Max. resolution	800 x 480		1280 x 800		800 x 600	1024 x 768	800 x 600	1024 x 768
Max. color	262K	262K	16.7M	16.7M	262K	16.2M	16.2M	16.2M
Luminance(cd/m ²)	350	1000	350	1000	450	500	1000	1000
View angle(H°/V°)	120/110	160/160	170/170	170/170	160/150	160/140	178/178	160/140
Contrast	500: 1	500: 1	800: 1	800: 1	800: 1	700: 1	700: 1	700: 1
Backlight lifetime(hrs)	50000	50000	25000	50000	50000	30000	50000	50000
Option	Optical Bonding							
Touch Screen								
Type	Resistive Touch(For R model) Projected Capacitive(For P model) Glass(For G model)							
Interface	USB RS-232 option for R model							
Light transmission(%)	Resistive Touch : 80% Projected Capacitive : 90%							
Power								
Power input	DC 9~36V							
Power Consumption (TYP.)	FABS-107P: 2.4W		FABS-108P: 5.6W		FABS-110P: 14.8W			
Mechanical								
Construction	304 Stainless steel front bezel (Default) /316(option) Aluminum Chassis							
IP rating	IP66 compliant front panel / IP69K(option)							
Mounting	Panel Mount, VESA Mount 75 x 75			Panel Mount, VESA Mount 100 x 100				
Dimension(mm)	217 x 163 x 40		296 x 200 x 46		330 x 256 x 52			
Net weight(Kg)	TBD		2.4		3.3			
Environment								
Operating temperature(°C)	0~50 / -20~60 (option)							
Storage temperature(°C)	-30~70							
Humidity	10 to 95% @ 40°C, non- condensing							
Certification	CE / FCC Class A for P/R/G(H) model EN 1672-2 compliant for P/G(H) model							



Specifications

Model Name	FABS-115P(H) FABS-115R(H) FABS-115G(H)		FABS-117P(H) FABS-117R(H) FABS-117G(H)	
I/O Port				
VGA	1 x VGA			
DVI	1 x DVI-D (share with HDMI)			
HDMI	1 x HDMI (share with DVI-D)			
DP	1			
Audio	1 x line-in			
OSD Control Membrane	5 keys at Rear			
Other	1 x USB type B for touch 1 x RS-232 DB9 for touch (option)			
Power connector	1 x 3 pins Terminal Block Connector			
Display	FABS-115P FABS-115R FABS-115G	FABS-115PH FABS-115RH FABS-115GH	FABS-117P FABS-117R FABS-117G	FABS-117PH FABS-117RH FABS-117GH
Display type	15" TFT-LCD		17" TFT-LCD	
Max. resolution	1027 x 768		1280 x 1024	
Max. color	16.2M	16.7M	16.7M	16.7M
Luminance(cd/m ²)	300	1000	350	1000
View angle(H°/V°)	176 / 176	160 / 150	160 / 140	178 / 178
Contrast	2000: 1	800: 1	800: 1	1000: 1
Backlight lifetime(hrs)	50000	50000	50000	50000
Option	Optical Bonding			
Touch Screen				
Type	Resistive Touch(For R model) Projected Capacitive(For P model) Glass(For G model)			
Interface	USB RS-232 option for R model			
Light transmission(%)	Resistive touch window : 80% Projected Capacitive Touch and Glass: 90%			
Power				
Power input	DC 9~36V			
Power Consumption (TYP.)	FABS-115P: 12.5W		FABS-117P: 27.3W	
Mechanical				
Construction	304 Stainless steel front bezel (Default) /316(option) Aluminum Chassis			
IP rating	IP66 compliant front panel / IP69K(option)			
Mounting	Panel Mount, VESA Mount 100 x 100			
Dimension(mm)	422 x 321 x 53		449 x 358 x 63	
Net weight(Kg)	4.9		TBD	
Environment				
Operating temperature(°C)	0~50 / -20~60 (option)			
Storage temperature(°C)	-30~70			
Humidity	10 to 95% @ 40°C, non- condensing			
Certification	CE / FCC Class A for P/R/G(H) model EN 1672-2 compliant for P/G(H) model			

FABS-1XXP(H) Series

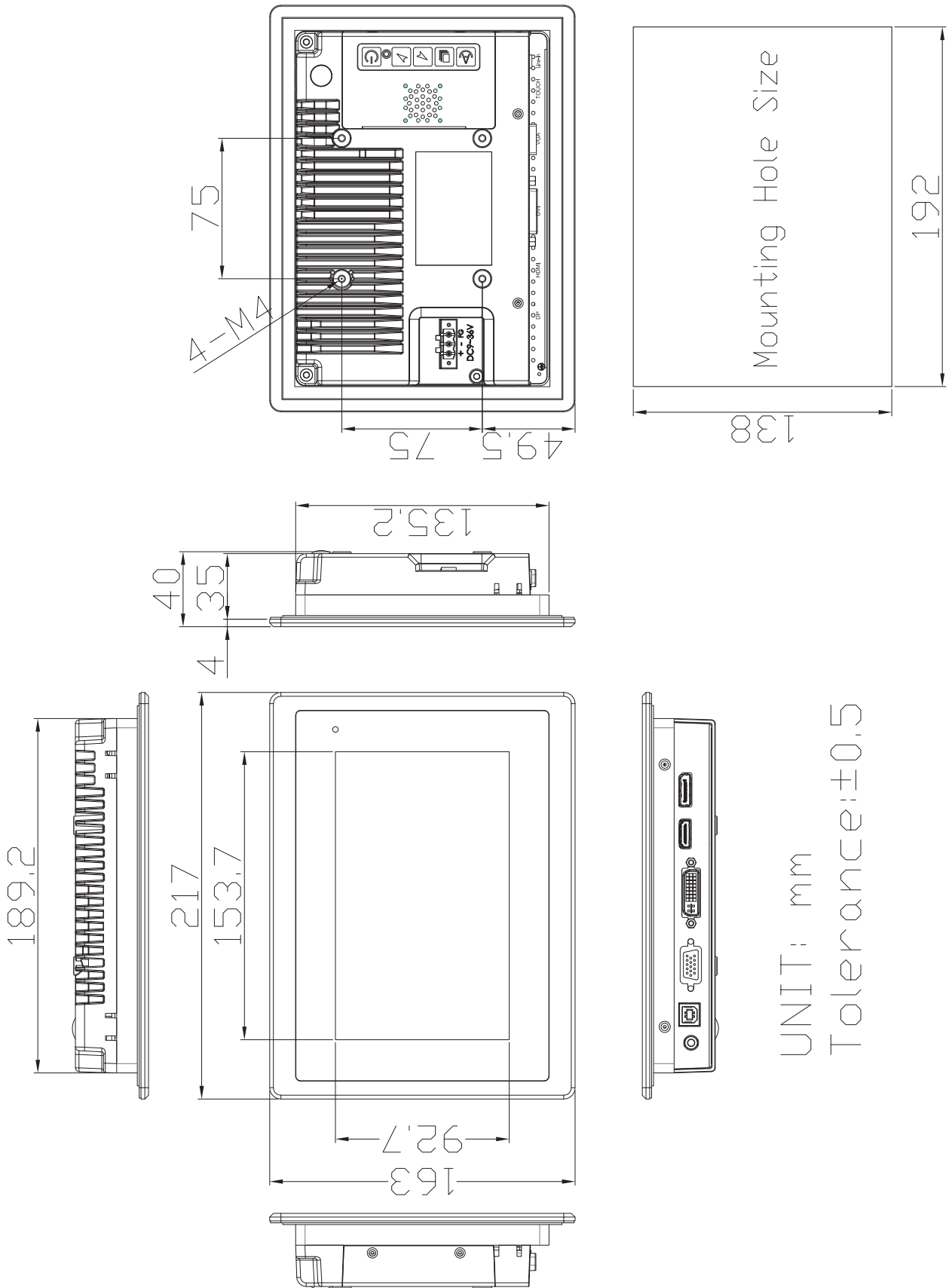
Food Safety Grade and Hygienic Design Display



Specifications

Model Name	FABS-119P(H) FABS-119R(H) FABS-119G(H)		FABS-121P(H) FABS-121R(H) FABS-121G(H)	
I/O Port				
VGA	1			
DVI	1 x DVI-D (share with HDMI)			
HDMI	1 x HDMI (share with DVI-D)			
DP	1			
Audio	1 x line-in			
OSD Control Membrane	5 keys at Rear			
Other	1 x USB type B for touch 1 x RS-232 DB9 for touch (option)			
Power connector	1 x 3 pins Terminal Block Connector			
Display	FABS-119P FABS-119R FABS-119G	FABS-119PH FABS-119RH FABS-119GH	FABS-121P FABS-121R FABS-121G	FABS-121PH FABS-121RH FABS-121GH
Display type	19" TFT-LCD		21.5" TFT-LCD	
Max. resolution	1280 x 1204		1920 x 1080	
Max. color	16.7M	16.7M	16.7M	16.7M
Luminance(cd/m ²)	350	1000	250	1000
View angle(H°/V°)	170/165	170/160	178/178	178/178
Contrast	1000: 1	1000: 1	3000: 1	3000: 1
Backlight lifetime(hrs)	50000	50000	30000	50000
Option	Optical Bonding			
Touch Screen				
Type	Resistive Touch(For R model) Projected Capacitive(For P model) Glass(For G model)			
Interface	USB RS-232 option for R model			
Light transmission(%)	Resistive Touch : 80% Projected Capacitive and Glass : 90%			
Power				
Power input	DC 9~36V			
Power Consumption (TYP.)	FABS-118P: 30.2W	FABS-119P: 18.3W	FABS-121P: 38.1W	
Mechanical				
Construction	304 Stainless steel front bezel (Default) /316(option) Aluminum Chassis			
IP rating	IP66 compliant front panel / IP69K(option)			
Mounting	Panel Mount, VESA Mount 100 x 100			
Dimension(mm)	TBD	485 x 398 x 63	574 x 379 x 59	
Net weight(Kg)	TBD	6.2	12.9	
Environment				
Operating temperature(°C)	0~50 (0~40 only for 21.5" high brightness model)			
Storage temperature(°C)	-30~70			
Humidity	10 to 95% @ 40°C, non- condensing			
Certification	CE / FCC Class A for P/R/G(H) model EN 1672-2 compliant for P/G(H) model			

FABS-107P/R/G(H)

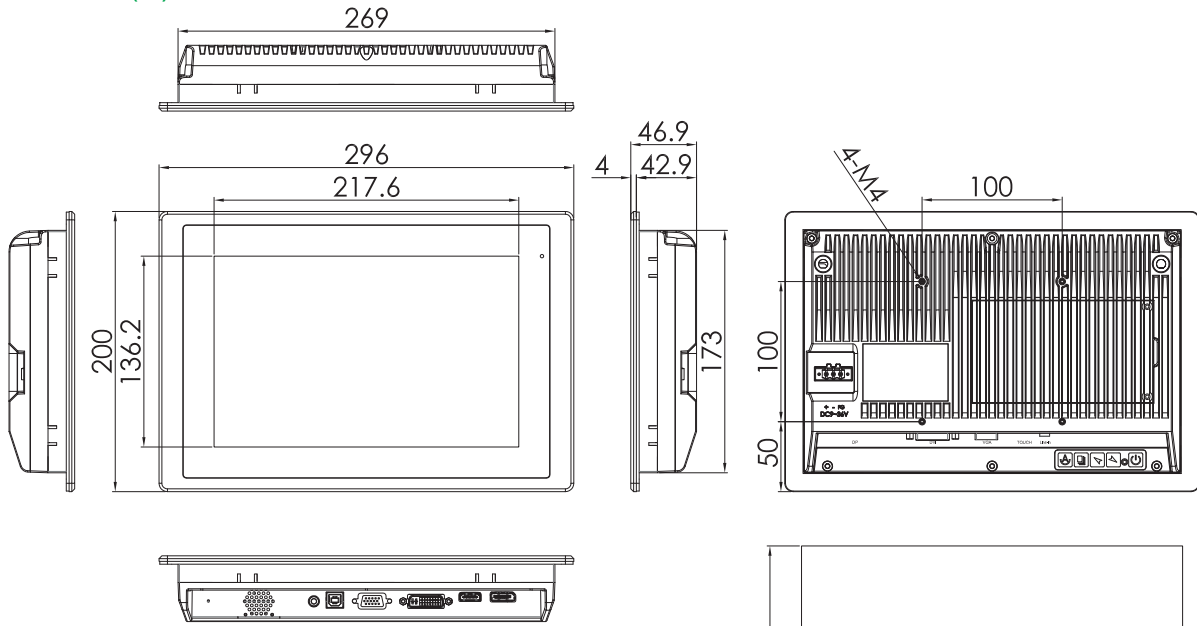


unit:mm

FABS-1XXP(H) Series

Food Safety Grade and Hygienic Design Display

FABS-110P/R/G(H)

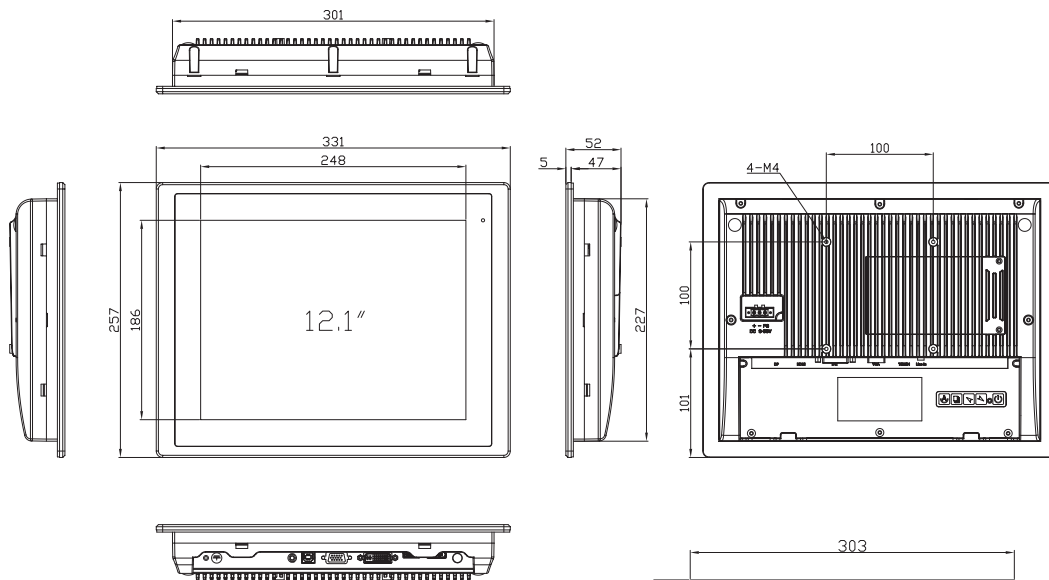


UNIT: mm
Tolerance: ± 0.5

Mounting Hole Size

unit:mm

FABS-112P/R/G(H)

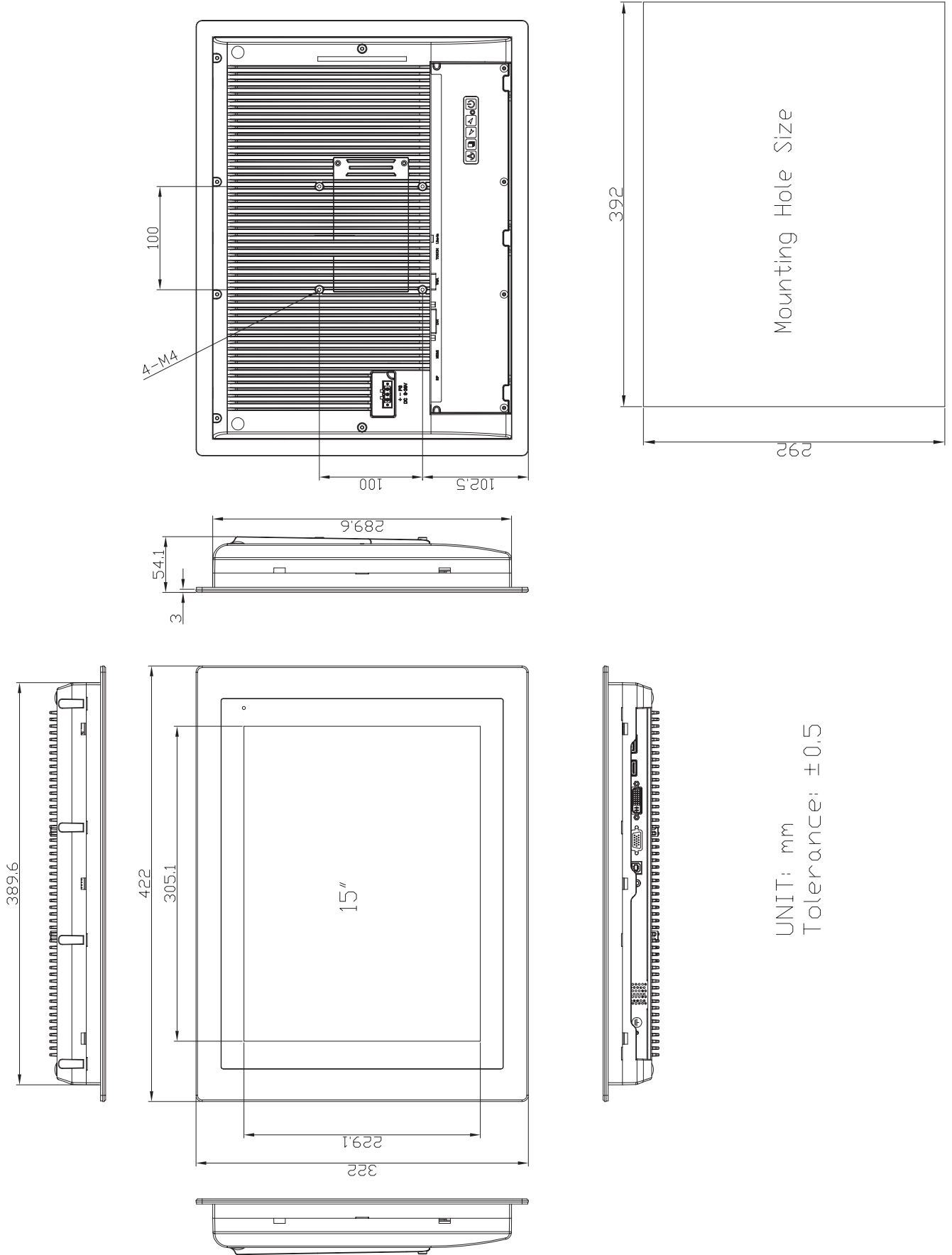


UNIT: mm
Tolerance: ± 0.5

Mounting Hole Size

unit:mm

FABS-115P/R/G(H)



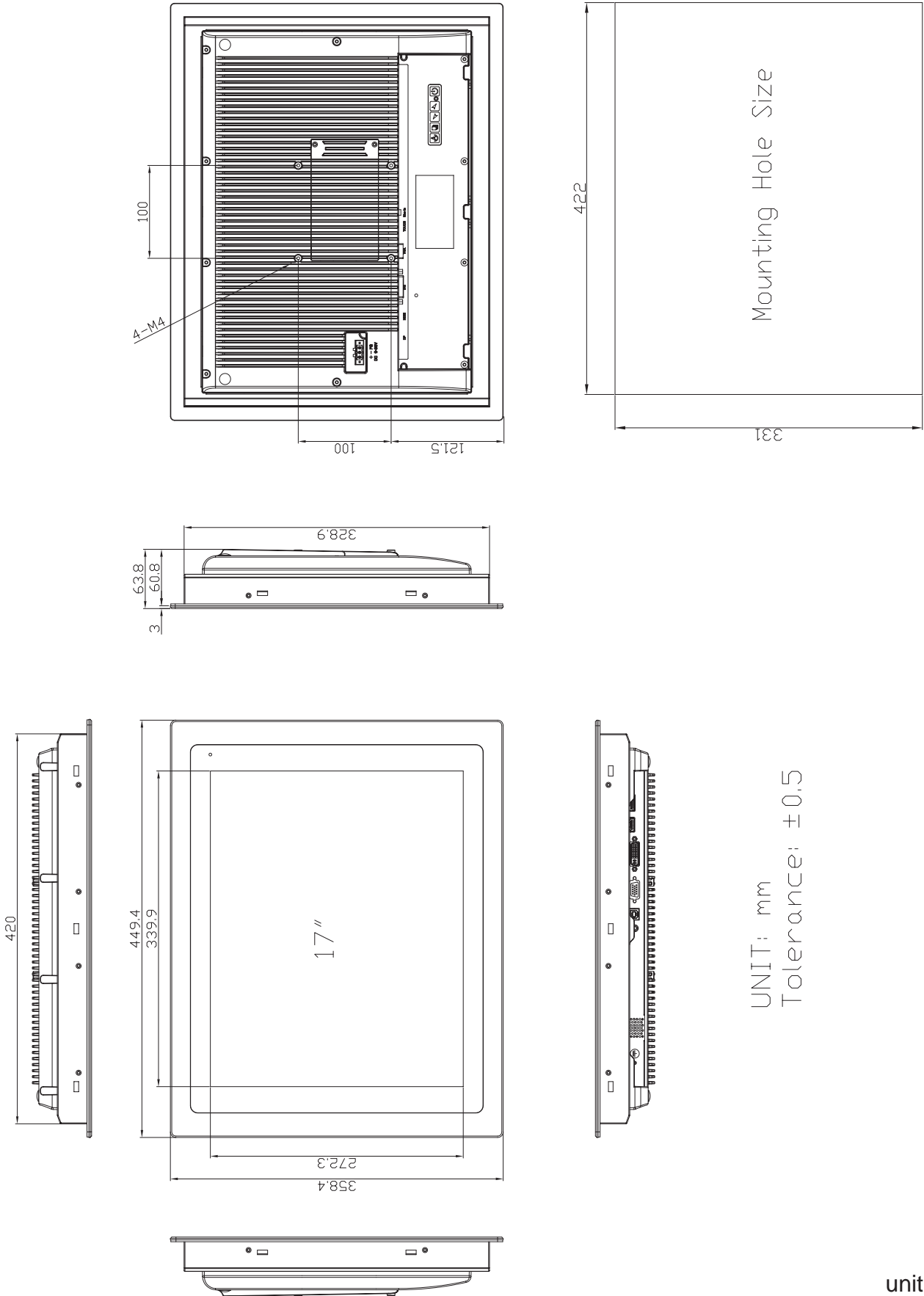
UNIT: mm
Tolerance: ±0.5

unit:mm

FABS-1XXP(H) Series

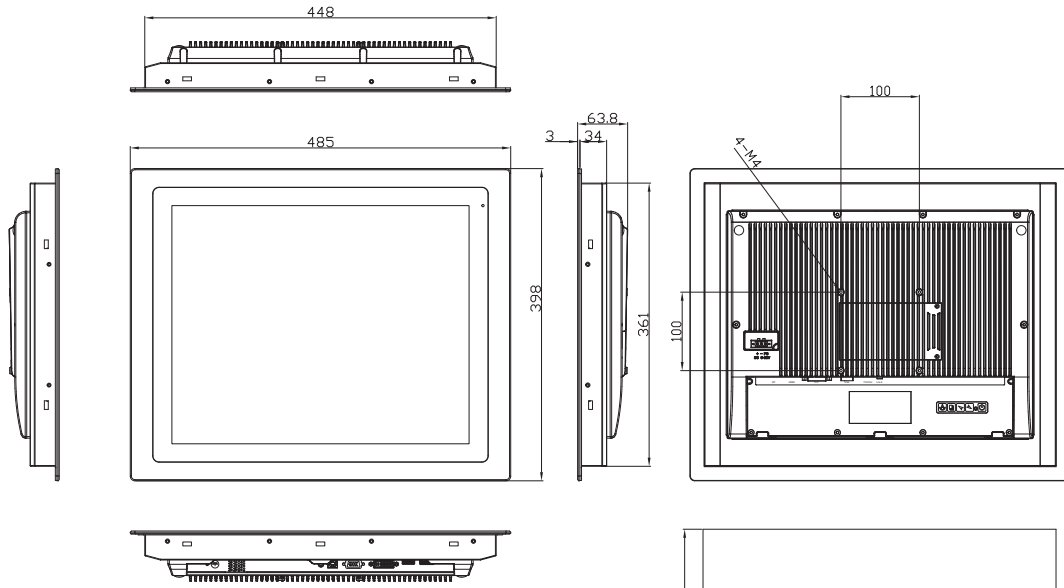
Food Safety Grade and Hygienic Design Display

FABS-117P/R/G(H)

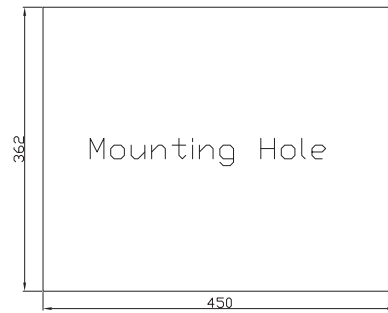


unit:mm

FABS-119P/R/G(H)

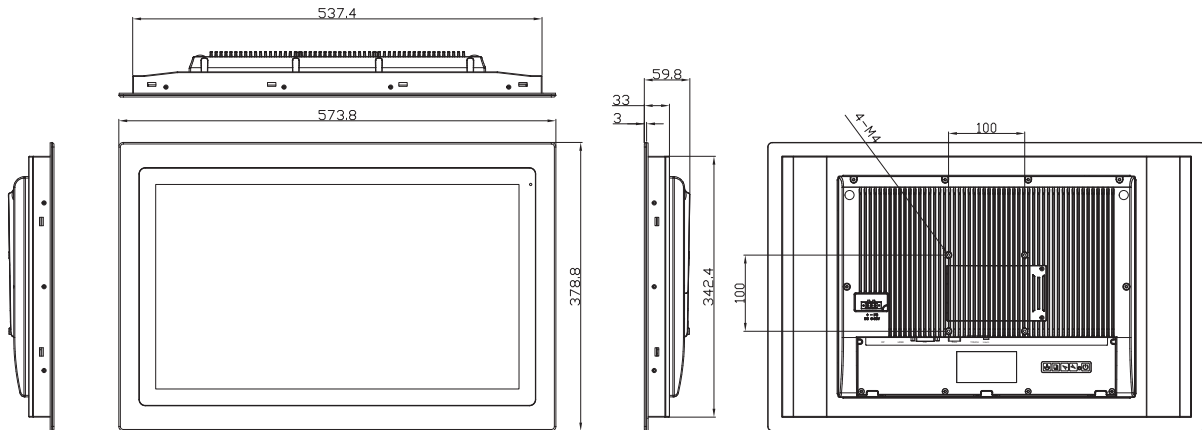


UNIT: mm
Tolerance: ± 0.5

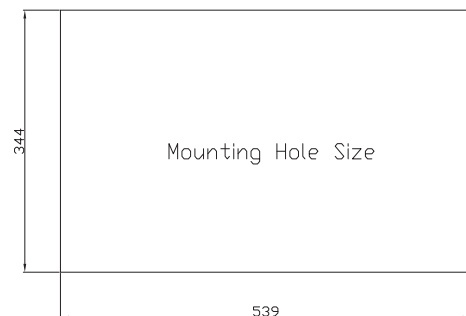


unit:mm

FABS-121P/R/G(H)



UNIT: mm
Tolerance: ± 0.5



unit:mm

FABS-1XXP(H) Series

Food Safety Grade and Hygienic Design Display

Ordering information

Model NO.	Description
FABS-107P	7" WVGA FPD Industrial display, Projected Capacitive Touch(USB), VGA, DVI, DP, and HDMI input, 5 keys Rear OSD, DC 9~36V power input, Stainless front bezel and Aluminum chassis.
FABS-110P	10.1" WXGA FPD Industrial display, Projected Capacitive Touch(USB), VGA, DVI, DP, and HDMI input, 5 keys Rear OSD, DC 9~36V power input, Stainless front bezel and Aluminum chassis.
FASB-112P	12.1" SVGA FPD Industrial display, Projected Capacitive Touch(USB), VGA, DVI, DP, and HDMI input, 5 keys Rear OSD, DC 9~36V power input, Stainless front bezel and Aluminum chassis.
FABS-115P	15" XGA FPD Industrial display, Projected Capacitive Touch(USB), VGA, DVI, DP, and HDMI input, 5 keys Rear OSD, DC 9~36V power input, Stainless front bezel and Aluminum chassis.
FABS-117P	17" SXGA FPD Industrial display, Projected Capacitive Touch(USB), VGA, DVI, DP, and HDMI input, 5 keys Rear OSD, DC 9~36V power input, Stainless front bezel and Aluminum chassis.
FABS-119P	19" SXGA FPD Industrial display, Projected Capacitive Touch(USB), VGA, DVI, DP, and HDMI input, 5 keys Rear OSD, DC 9~36V power input, Stainless front bezel and Aluminum chassis.
FABS-121P	21.5" FHD FPD Industrial display, Projected Capacitive Touch(USB), VGA, DVI, DP, and HDMI input, 5 keys Rear OSD, DC 9~36V power input, Stainless front bezel and Aluminum chassis.
FABS-107G	7" WVGA FPD Industrial display, protective glass, VGA, DVI, DP, and HDMI input, 5 keys Rear OSD, DC 9~36V power input, Stainless front bezel and Aluminum chassis.
FABS-110G	10.1" WXGA FPD Industrial display, protective glass, VGA, DVI, DP, and HDMI input, 5 keys Rear OSD, DC 9~36V power input, Stainless front bezel and Aluminum chassis.
FASB-112G	12.1" SVGA FPD Industrial display, protective glass, VGA, DVI, DP, and HDMI input, 5 keys Rear OSD, DC 9~36V power input, Stainless front bezel and Aluminum chassis.
FABS-115G	15" XGA FPD Industrial display, protective glass, VGA, DVI, DP, and HDMI input, 5 keys Rear OSD, DC 9~36V power input, Stainless front bezel and Aluminum chassis.
FABS-117G	17" SXGA FPD Industrial display, protective glass, VGA, DVI, DP, and HDMI input, 5 keys Rear OSD, DC 9~36V power input, Stainless front bezel and Aluminum chassis.
FABS-119G	19" SXGA FPD Industrial display, protective glass, VGA, DVI, DP, and HDMI input, 5 keys Rear OSD, DC 9~36V power input, Stainless front bezel and Aluminum chassis.
FABS-121G	21.5" FHD FPD Industrial display, protective glass, VGA, DVI, DP, and HDMI input, 5 keys Rear OSD, DC 9~36V power input, Stainless front bezel and Aluminum chassis.



ADP-1XX0A Series

FPD Industrial Display

Industrial Display Monitor

- Plastic Housing
- Resistive touch screen
- Projected Capacitive Touch
- Wide Range DC 9~36V Input



Flat Front Panel Touch Screen



Wide Range DC 9~36V Power Input



Resistive touch screen / Projected Capacitive Touch



Plastic Housing



Easy to use function key



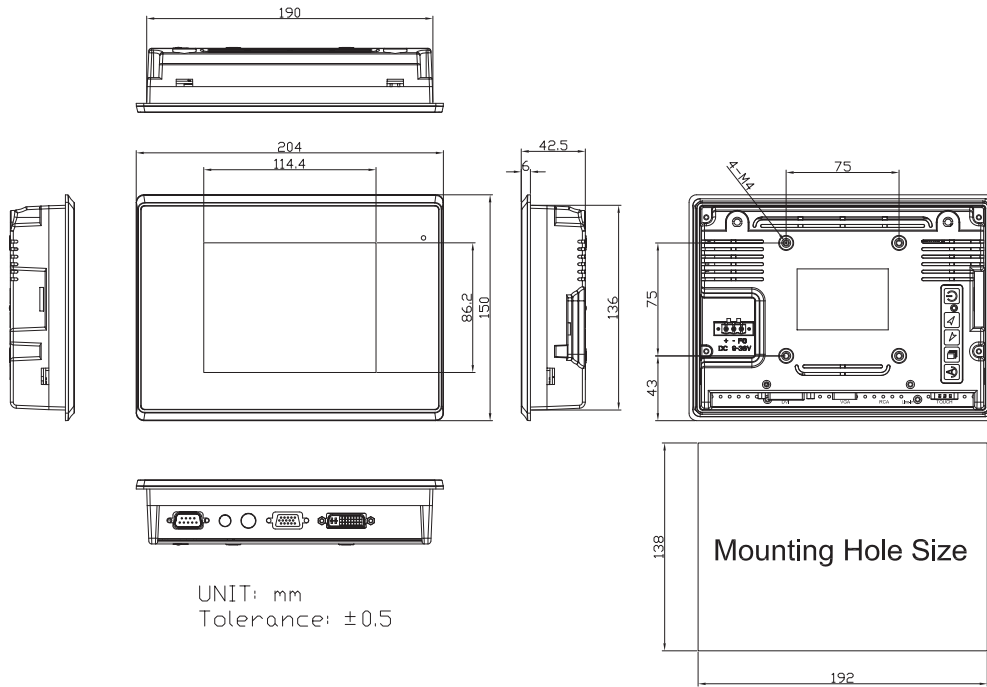
ADP-1XX0A Series

FPD Industrial Display



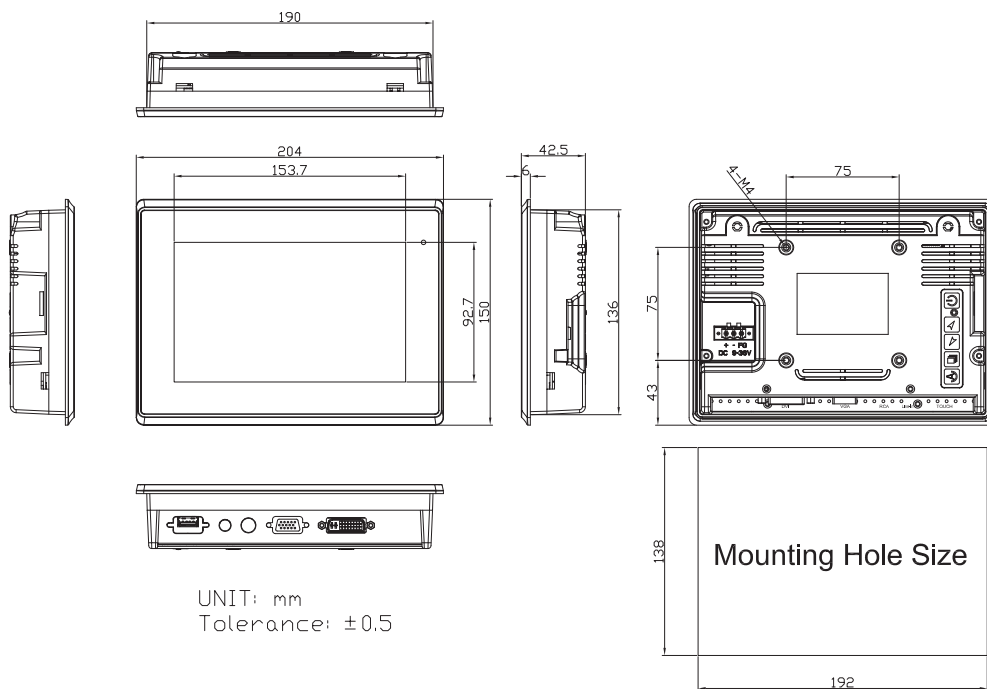
Model Name	ADP-1050A	ADP-1070A(P)	ADP-1080A(P)	ADP-1100A(P)	ADP-1120A(P)
I/O Port					
VGA	1				
DVI	1				
Audio	1 x line-in (option)				
OSD Control Membrane	5 Keys at Rear, at Front (option)				
Other	1 x USB type A for touch 1 x RS-232 DB-9 for touch (option)				
Power connector	1 x 3 pins Terminal Block Connector				
Display					
Display type	5.6" TFT-LCD	7" TFT-LCD	8" TFT-LCD	10.1" TFT-LCD	12.1" TFT-LCD
Max. resolution	640 x 480	800 x 480	800 x 600	1024 x 600	800 x 600
Max. color	262K	262K	16.2M	16.7M	16.2M
Luminance(cd/m ²)	350	350	350	250	450
View angle(H°/V°)	140/120	140/120	140/135	140/120	160/140
Contrast	500: 1	400: 1	500: 1	500: 1	800: 1
Backlight lifetime(hrs)	20000	40000	40000	25000	50000
Touch Screen					
Type	Resistive Touch Window	Resistive Touch Window / Projected Capacitive Touch (for P model, not available for ADP-1050A)			
Interface	USB/RS-232	USB/RS-232 (Projected Capacitive Touch Only Support USB)			
Light transmission(%)	Resistive Touch Window: 80% Projected Capacitive Touch: 90%				
Power					
Power input	DC 9~36V				
Power Consumption (TYP.)	ADP-1050AP: 5W	ADP-1070AP: 3.9W	ADP-1080AP: 5W	ADP-1100AP: 3.6W	ADP-1120AP: 8.5W
Mechanical					
Construction	Plastic				
IP rating	IP65 Front Bezel				
Mounting	Panel Mount, VESA Mount 75 x 75			Panel Mount, VESA Mount 100 x 100	
Dimension(mm)	204 x 150 x 42.5	204 x 150 x 42.5	231.1 x 176.1 x 45	285 x 189 x 49.6	319 x 245 x 51
Net weight(Kg)	0.8	0.8	1.0	1.3	2.0
Environment					
Operating temperature(°C)	0~50				
Storage temperature(°C)	-30~70				
Humidity	10 to 95% @ 40°C, non- condensing				
Certification	CE/FCC Class A				

ADP-1050A



unit:mm

ADP-1070A

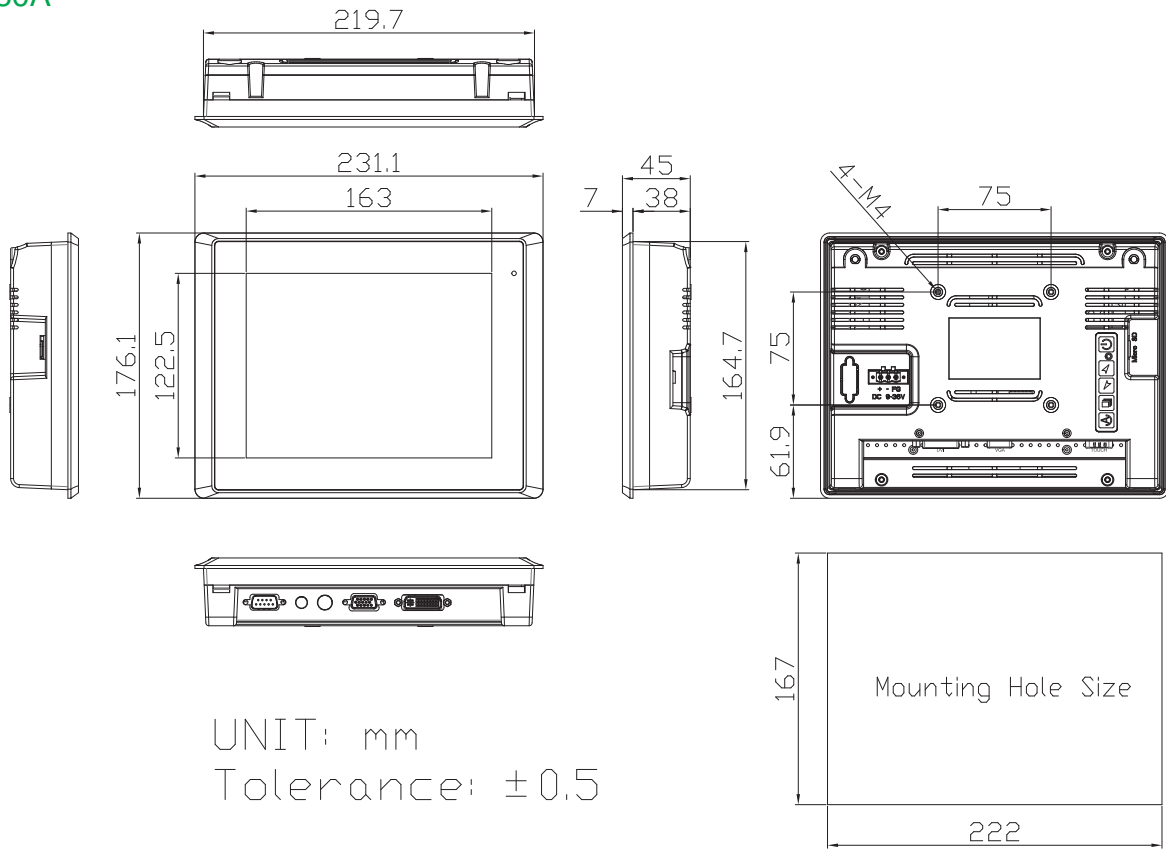


unit:mm

ADP-1XX0A Series

FPD Industrial Display

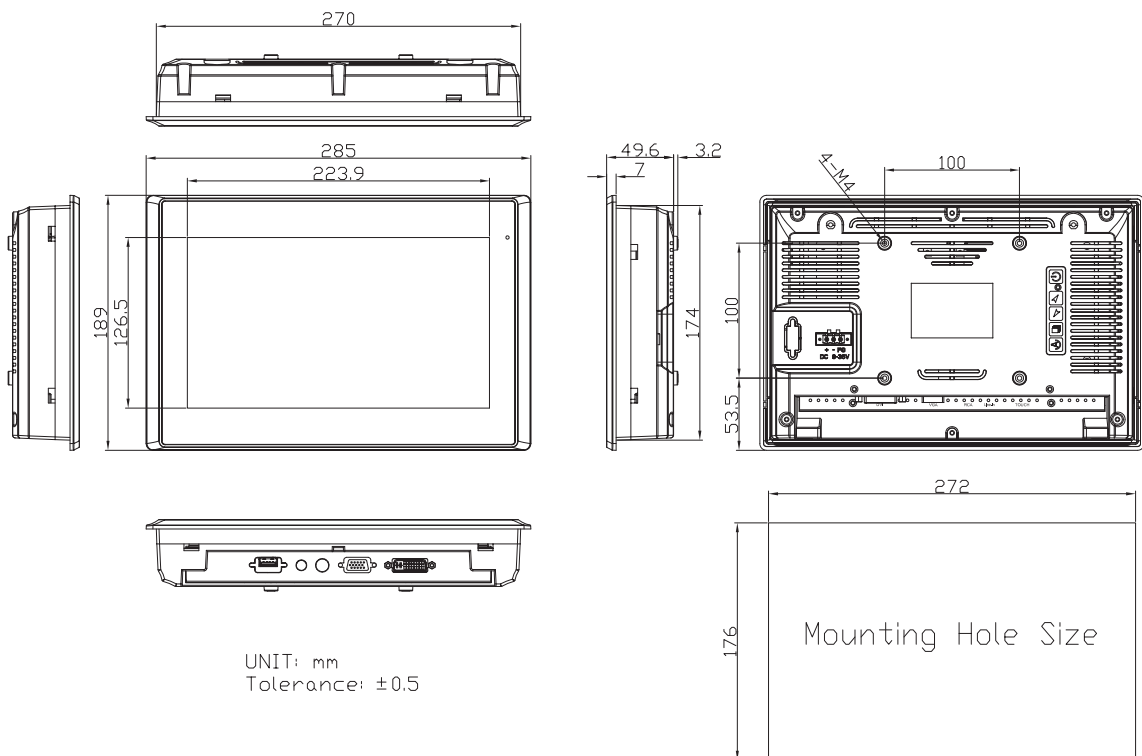
ADP-1080A



UNIT: mm
Tolerance: ± 0.5

unit:mm

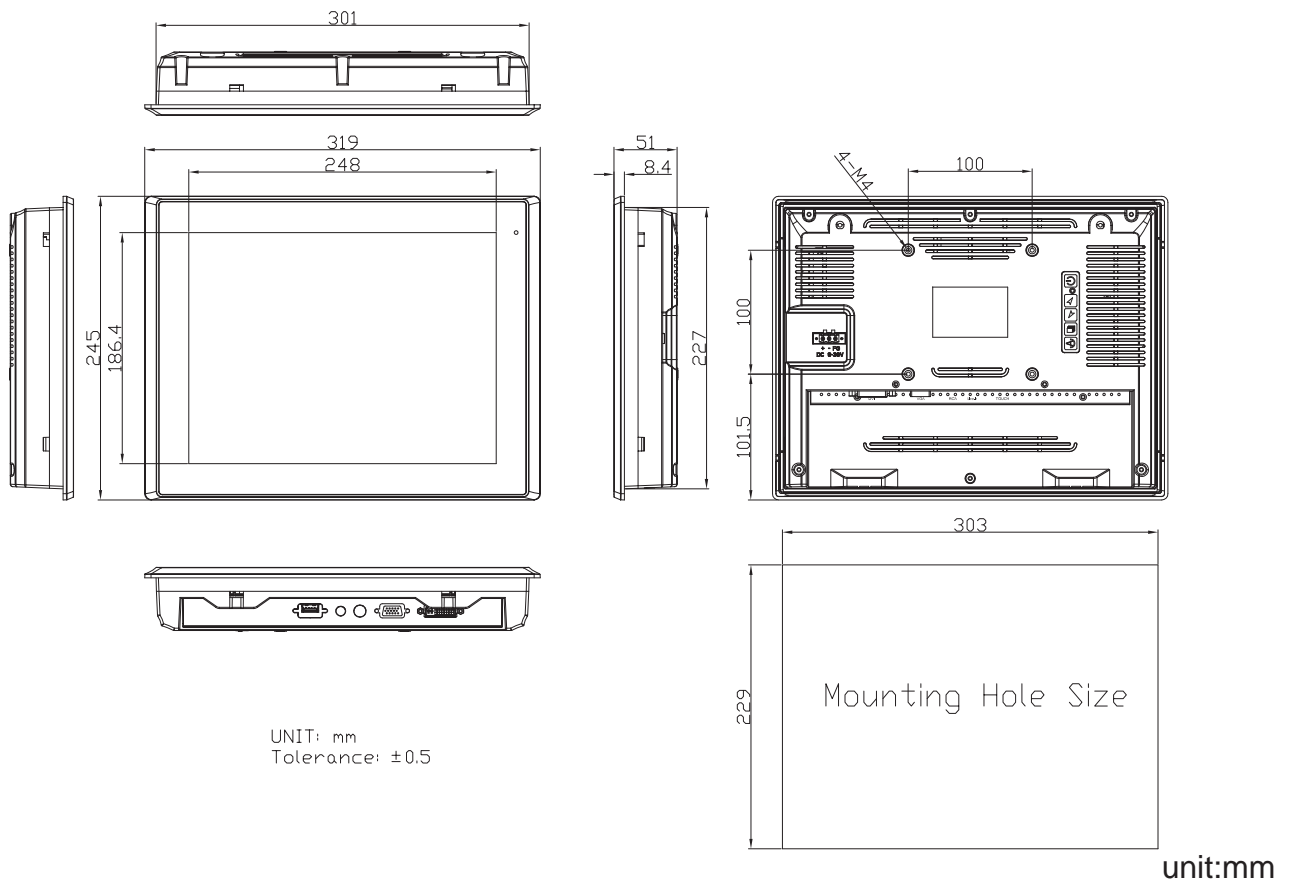
ADP-1100A



UNIT: mm
Tolerance: ± 0.5

unit:mm

ADP-1120A



Ordering information

Model NO.	Description
ADP-1050AT-01	5.6" VGA Front IP65 Industrial display with Resistive touch window, VGA, DVI input, DC 9~36V power input with adapter, plastic enclosure
ADP-1070AT-01	7" WVGA Front IP65 Industrial display with Resistive touch window, VGA, DVI input, DC 9~36V power input with adapter, plastic enclosure
ADP-1070AP-01	7" WVGA Front IP65 Industrial display with Projected Capacitive touch screen, VGA, DVI input, DC 9~36V power input with dapter, plastic enclosure
ADP-1080AT-01	8" SVGA Front IP65 Industrial display with Resistive touch window, VGA, DVI input, DC 9~36V power input with adapter, plastic enclosure
ADP-1080AP-01	8" SVGA Front IP65 Industrial display with Projected Capacitive touch screen, VGA, DVI input, DC 9~36V power adapter, plastic enclosure
ADP-1100AT-01	10.1" WSVGA Front IP65 Industrial display with Resistive touch window, VGA, DVI input, DC 9~36V power input with adapter, plastic enclosure
ADP-1100AP-01	10.1" WSVGA Front IP65 Industrial display with Projected Capacitive touch screen, VGA, DVI input, DC 9~36V power input with adapter, plastic enclosure
ADP-1120AT-01	12.1" SVGA Front IP65 Industrial display with Resistive touch window, VGA, DVI input, DC 9~36V power input with adapter, plastic enclosure
ADP-1120AP-01	12.1" SVGA Front IP65 Industrial display with Projected Capacitive touch screen, VGA, DVI input, DC 9~36V power input with adapter, plastic enclosure

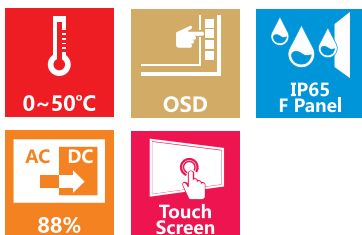


ADP-1XX4 Series

Industrial Display

Steel Enclosure Display

- APLEX Standard Industrial Display
- OSD Function Key
- Front Bezel IP65
- Resistive Touch Screen for Option
- AC Power Input and Wide Range DC 11~32V for Option



APLEX standard type black chassis display



Front bezel IP65 Rating



AC power and DC 11~32V power selection



Support panel & VESA mount



Easy to use function key





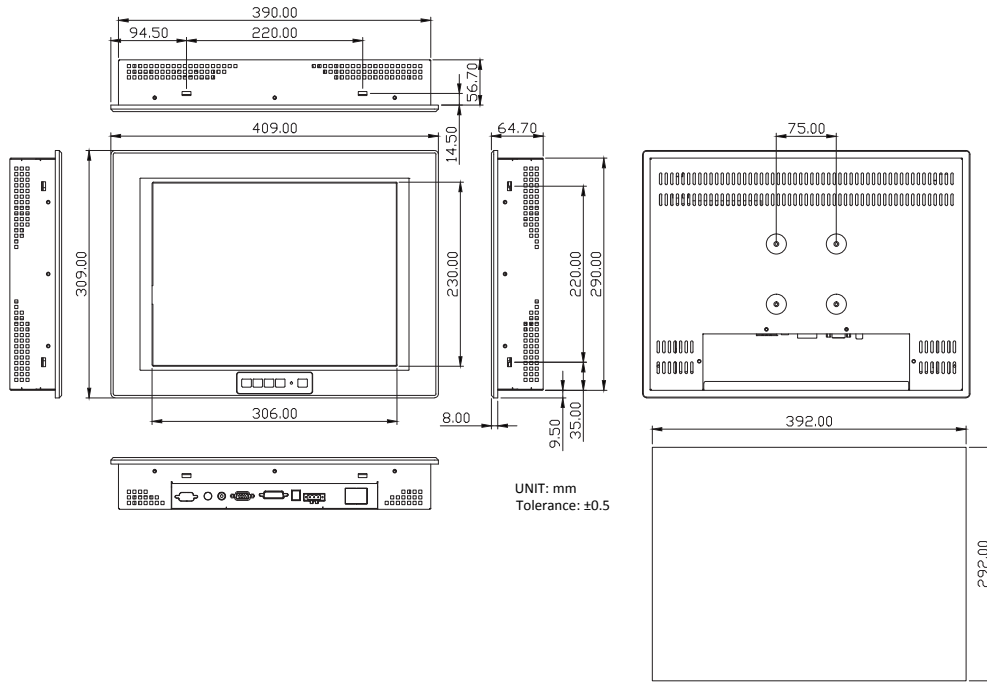
Specifications

Model Name	ADP-1154	ADP-1174	ADP-1194	ADP-1224A
I/O Port				
VGA				1
DVI				Option
RCA				Option
S-Video				Option
OSD Control Membrane	5 keys at Front			
Other	1 x USB type A for touch 1 x RS-232 DB-9 for touch (option)			
Power connector	AC Inlet Input / 1 x 3 pins Terminal Block Connector for option			
Display				
Display type	15" TFT-LCD	17" TFT-LCD	19" TFT-LCD	21.5" TFT-LCD
Max. resolution	1024 x 768	1280 x 1024	1280 x 1024	1920 x 1080
Max. color	262K	16.7M	16.7M	16.7M
Luminance(cd/m ²)	420	300	300	250
View angle(H°/V°)	160/160	140/130	160/160	170/160
Contrast	800: 1	1000: 1	1000: 1	3000: 1
Backlight lifetime(hrs)	30000	40000	20000	30000
Touch Screen				
Type	Resistive Touch (option)			
Interface	USB/RS-232			
Light transmission(%)	80%			
Power				
Power input	AC 90~240V / DC 11~32V Input(option)			
Power Consumption (TYP.)	ADP-1154: 25.3W	ADP-1174: 27.5W	ADP-1194: 27.5W	ADP-1224A: 21.6W
Mechanical				
Construction	Black Steel			
IP rating	IP65 Front Bezel			
Mounting	Panel Mount, VESA Mount 75 x 75			Panel Mount, VESA Mount 100 x 100
Dimension(mm)	409 x 309 x 64.7	439 x 348 x 63	467 x 379 x 68	557 x 362 x 68
Net weight(Kg)	6.1	6.9	7.6	8.0
Environment				
Operating temperature(°C)	0~50			
Storage temperature(°C)	-30~70			
Humidity	10 to 95% @ 40°C, non- condensing			
Certification	CE/FCC Class A			

ADP-1XX4 Series

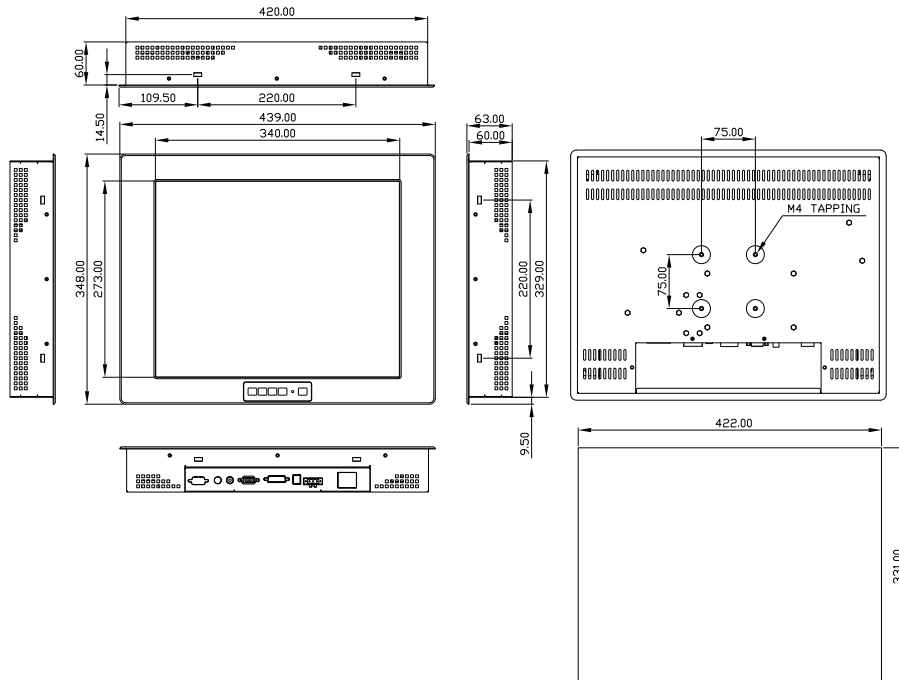
Industrial Display

ADP-1154



unit:mm

ADP-1174

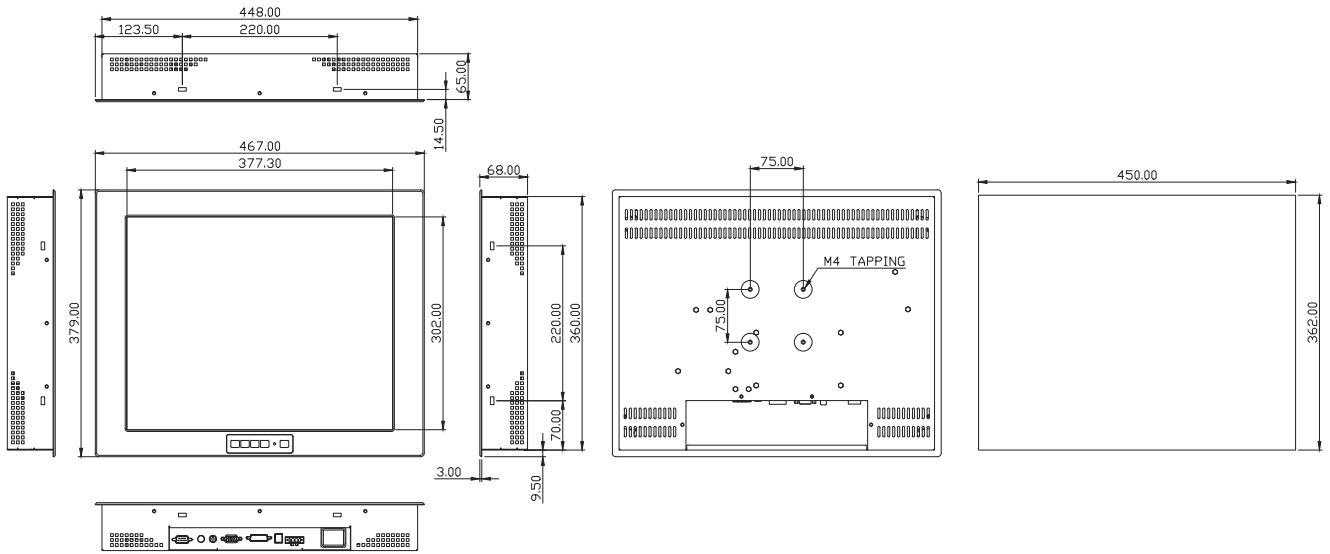


unit:mm

Ordering information

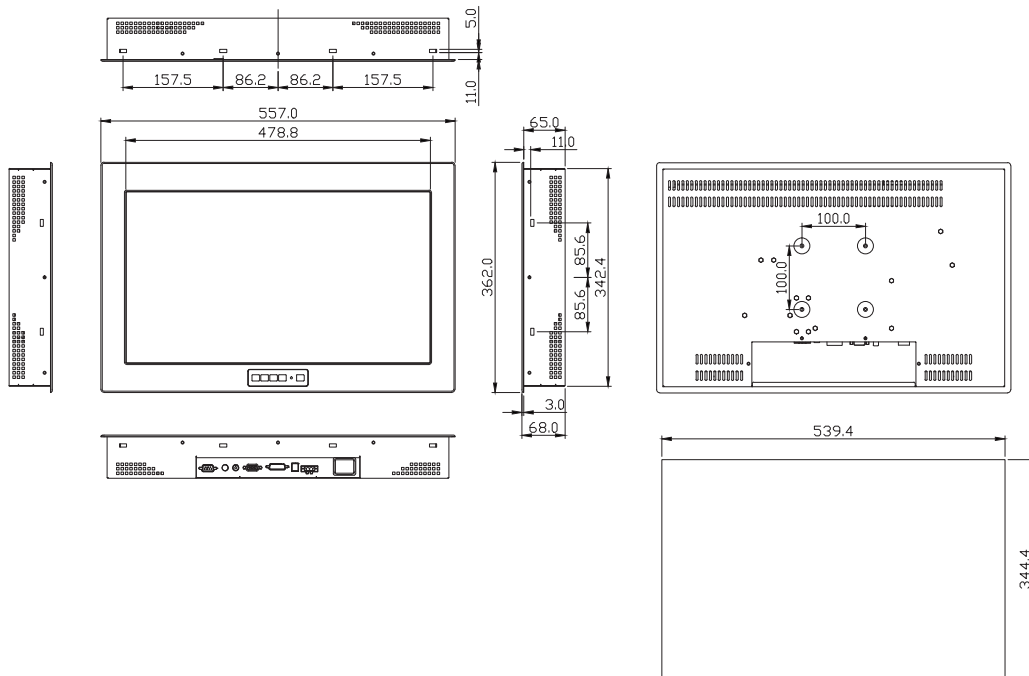
Model NO.	Description
ADP-1154-15	15" XGA Industrial Display ,VGA input, OSD on front side, AC 100~240V power input, and without touch, steel enclosure
ADP-1174-05	17" SXGA Industrial Display , VGA input, OSD on front side, AC 100~240V power input, and without touch, steel enclosure

ADP-1194



unit:mm

ADP-1224A



unit:mm

Ordering information

Model NO.	Description
ADP-1194-06	19" SXGA Industrial Display, VGA input, OSD on front side, AC 100~240V power input, and without touch, steel enclosure
ADP-1224A-04	21.5" Full HD Industrial Display, VGA input, OSD on front side, AC 100~240V power input and without touch, steel enclosure

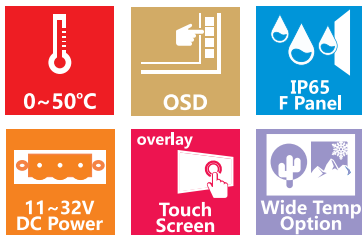


ADP-1122A

Industrial Display

Overlay Touch Display

- APLEX Standard Industrial Display
- OSD Function Key
- Front Bezel IP65
- Overlay Resistive Touch Screen
- Wide Range DC 11~32V Power Input



APLEX standard type black chassis display



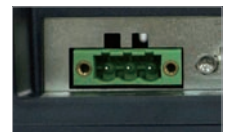
Front bezel IP65 Rating



Overlay resistive touch screen



Wide range DC 11~32V power input with Professional Terminal Block



Easy to use function key

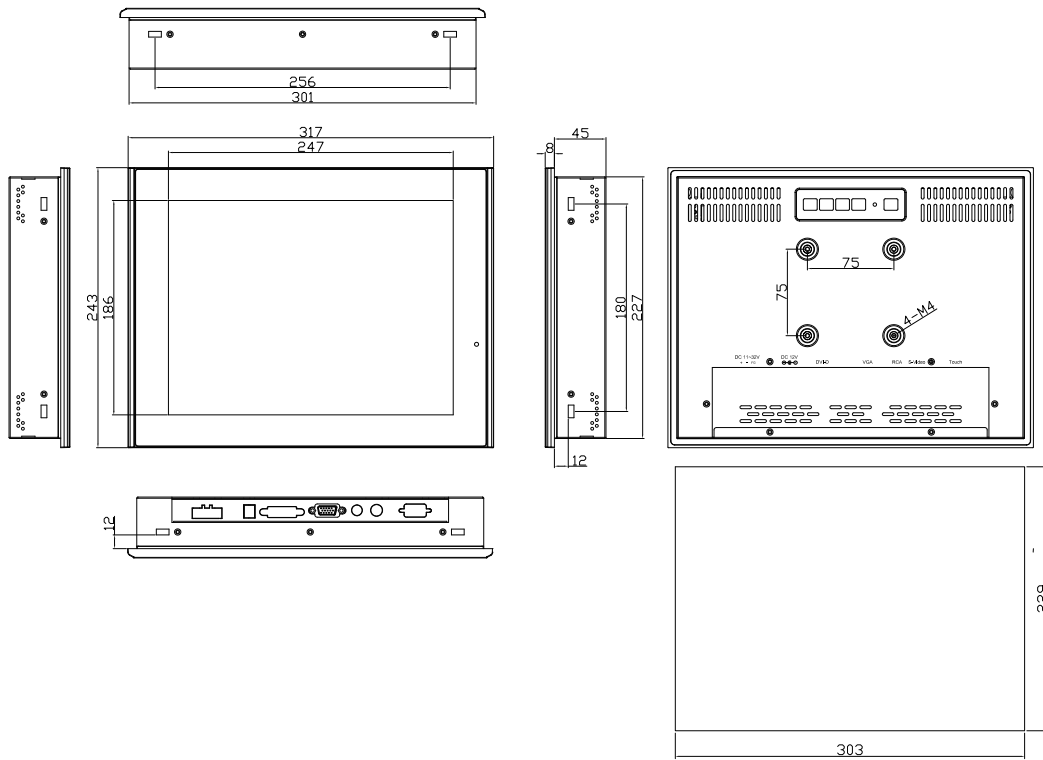




Specifications

Model Name	ADP-1122A
I/O Port	
VGA	1
DVI	Option
RCA	Option
S-Video	Option
OSD Control Membrane	5 keys at Rear
Other	1 x USB type A for touch 1 x RS-232 DB-9 for touch (option)
Power connector	1 x 3 pins Terminal Block Connector (option)
Display	
Display type	12.1" TFT-LCD
Max. resolution	1024 x 768
Max. color	262K
Luminance(cd/m ²)	500
View angle(H°/V°)	160/140
Contrast	700: 1
Backlight lifetime(hrs)	30000
Touch Screen	
Type	Resistive Touch
Interface	USB/RS-232
Light transmission(%)	80%
Power	
Power input	DC 11~32V
Power Consumption (TYP.)	ADP-1122A:16W
Mechanical	
Construction	Aluminum Die-casting, Steel Black Cover
IP rating	IP65 Front Bezel
Mounting	Panel Mount, VESA Mount 75 x 75
Dimension(mm)	317 x 243 x 53
Net weight(Kg)	2.5
Environment	
Operating temperature(°C)	0~50
Storage temperature(°C)	-30~70
Humidity	10 to 95% @ 40°C, non- condensing
Certification	CE/FCC Class A

ADP-1122A



Mounting Hole Size

unit:mm

Ordering information

Model NO.	Description
ADP-1122AT-04	12.1" SVGA Industrial Display with sealed touch screen, VGA input, DC 11~32V with adapter, AL front/ steel back



ADP-1XX8P Series

FPD Industrial Display

Projected Capacitive Touch Display

- Flat Panel Design
- OSD Function Key
- Projected Capacitive Touch
- Wide Range DC 11~32V Power Input



7H surface against damages



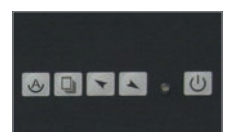
Aluminum front bezel



Support multi touch



Easy to use function key



Optional front side OSD



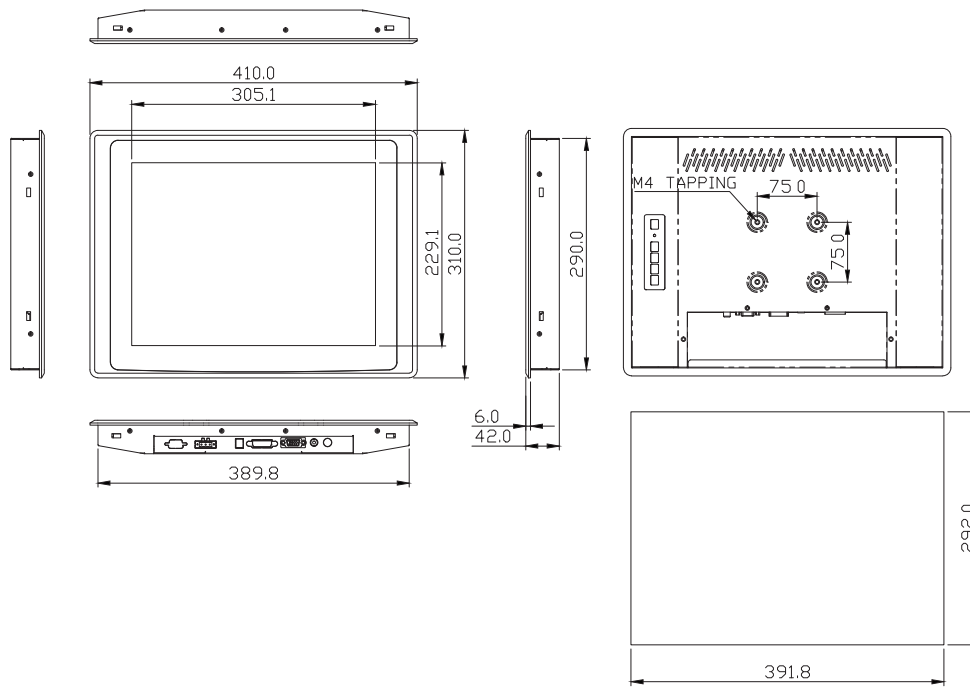
ADP-1XX8P Series

FPD Industrial Display



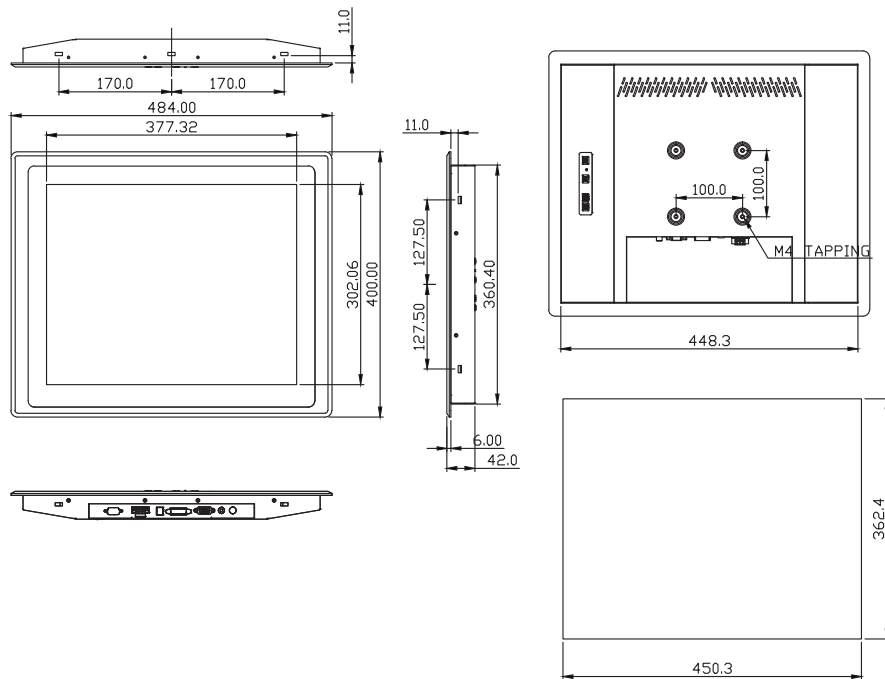
Model Name	ADP-1158P	ADP-1198P
I/O Port		
VGA		1
DVI		1
RCA		1
S-Video		1
OSD Control Membrane	5 Keys at Rear, at Front (option)	
Other	1 x USB type A for Touch	
Power connector	1 x 3 pins Terminal Block Connector	
Display		
Display type	15" TFT-LCD	19" TFT-LCD
Max. resolution	1024 x 768	1280 x 1024
Max. color	262K	16.7M
Luminance(cd/m ²)	420	350
View angle(H°/V°)	160/160	170/160
Contrast	800: 1	1000: 1
Backlight lifetime(hrs)	30000	50000
Touch Screen		
Type	Projected Capacitive Touch	
Interface	USB	
Light transmission(%)	90%	
Power		
Power input	DC 11~32V	
Power Consumption (TYP.)	ADP-1158P: 13W	ADP-1198P: 16.2W
Mechanical		
Construction	Aluminum Front Bezel and Steel Chassis	
IP rating	IP65 Front Bezel	
Mounting	Panel Mount, VESA Mount 75 x 75	Panel Mount, VESA Mount 100 x 100
Dimension(mm)	410 x 333.6 x 42 (OSD at Front) 410 x 310 x 42 (OSD at Rear)	484 x 416 x 42 (OSD at Front) 484 x 400 x 42 (OSD at Rear)
Net weight(Kg)	4.2	5.9
Environment		
Operating temperature(°C)	0~50	
Storage temperature(°C)	-30~70	
Humidity	10 to 95% @ 40°C, non- condensing	
Certification	CE/FCC Class A	

ADP-1158P



unit:mm

ADP-1198P



unit:mm

Ordering information

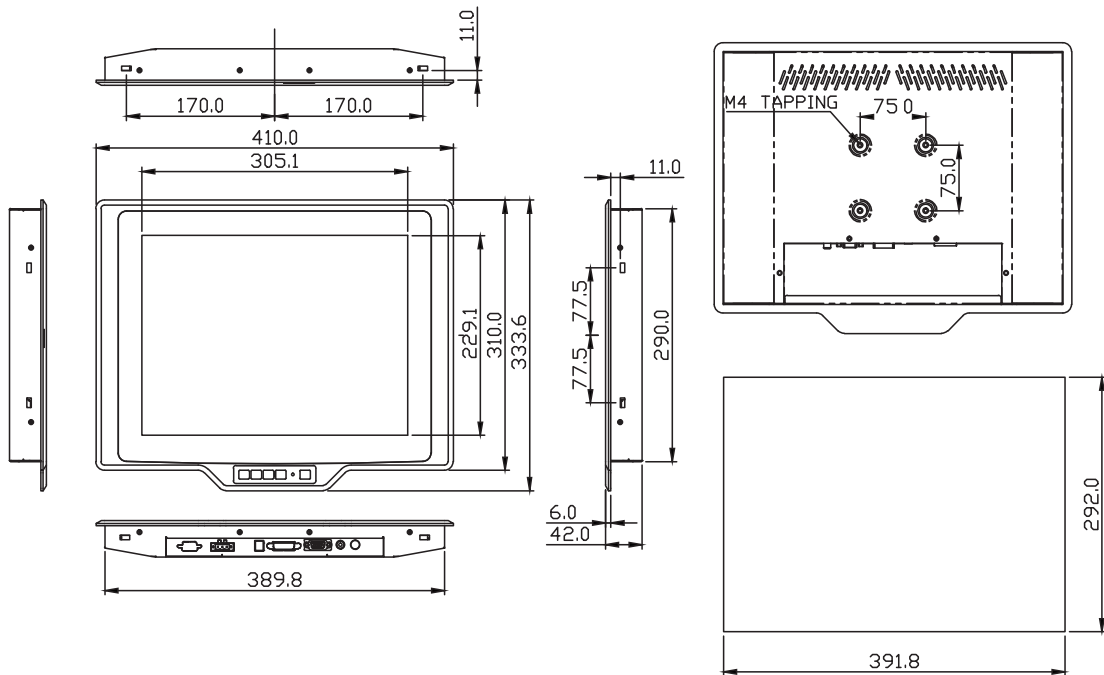
Model NO.	Description
ADP-1158P-02	15" XGA FPD Industrial display, Projected capacitive touch, VGA,DVI, RCA, S-video input, Rear OSD, DC 11~32V power input
ADP-1198P-02	19" SXGA FPD Industrial display, Projected capacitive touch, VGA,DVI, RCA, S-video input, Rear OSD, DC 11~32V power input

ADP-1XX8P Series

FPD Industrial Display

ADP-1158P

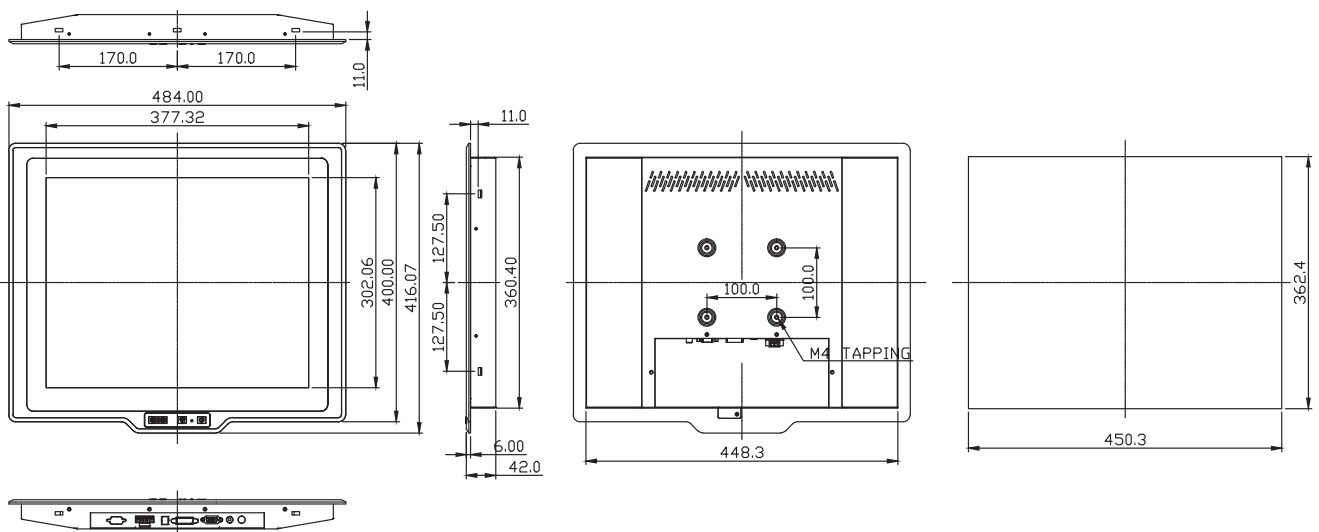
Optional Front OSD



unit:mm

ADP-1198P

Optional Front OSD



unit:mm



OPD-1XX6 Series

Open Frame Display

Industrial Steel Display

- APLEX Standard Open Frame Display
- OSD Function Key
- Resistive Touch Screen for Option
- DC 12V Power Input and Wide Range DC 11~32V Power Input for Option



LED Backlight



Open frame design



Support Panel & VESA mount



Easy to use function key



Steel enclosure



OPD-1XX6 Series

Open Frame Display

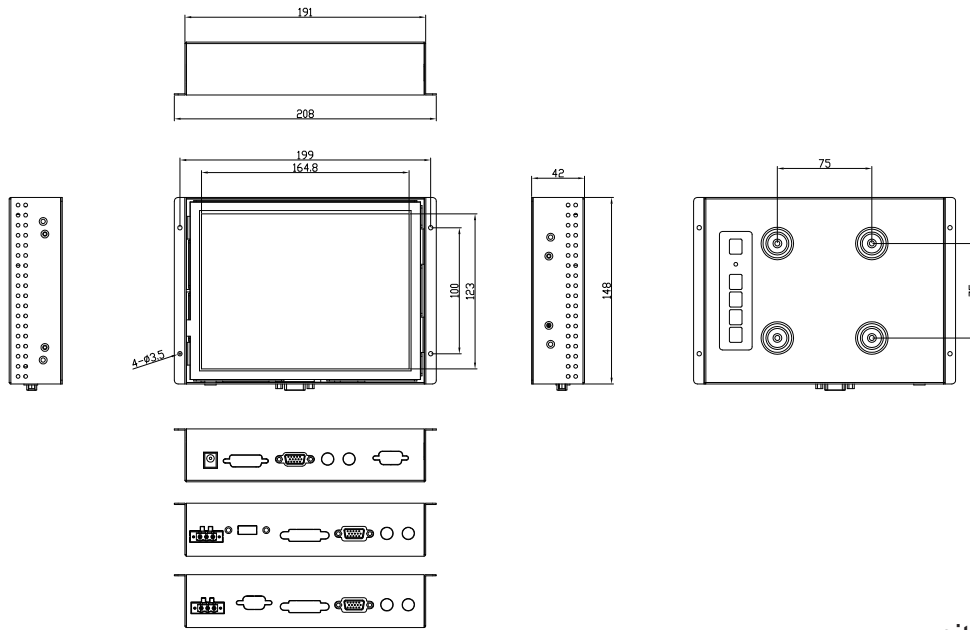


Model Name	OPD-1086B	OPD-1126	OPD-1156
I/O Port			
VGA		1	
DVI		1	
RCA		Option	
S-Video		Option	
OSD Control Membrane		5 keys at Rear	
Other		1 x USB type A for touch 1 x RS-232 DB-9 for touch (option)	
Power connector		1 x 3 pins Terminal Block Connector for option	
Display			
Display type	8" TFT-LCD	12.1" TFT-LCD	15" TFT-LCD
Max. resolution	800 x 600	800 x 600	1024 x 768
Max. color	16.2M	262K	262K
Luminance(cd/m ²)	350	400	420
View angle(H°/V°)	125/140	160/140	160/160
Contrast	500: 1	700: 1	800: 1
Backlight lifetime(hrs)	40000	50000	30000
Touch Screen			
Type		Resistive Touch	
Interface		USB/RS-232	
Light transmission(%)		80%	
Power			
Power input		DC 12V / DC 11~32V (option)	
Power Consumption (TYP.)	OPD-1086B: 3.6W	OPD-1126: 10.6W	OPD-1156: 25.3W
Mechanical			
Construction		Steel	
IP rating		None	
Mounting		Panel Mounting, VESA Mount 75 x 75	
Dimension(mm)	208 x 148 x 42	300 x 250 x 38	357 x 291 x 56.2
Net weight(Kg)	1.1	2.1	2.9
Environment			
Operating temperature(°C)		0~50	
Storage temperature(°C)		-30~70	
Humidity		10 to 95% @ 40°C, non- condensing	
Certification		CE/FCC Class A	

Ordering information

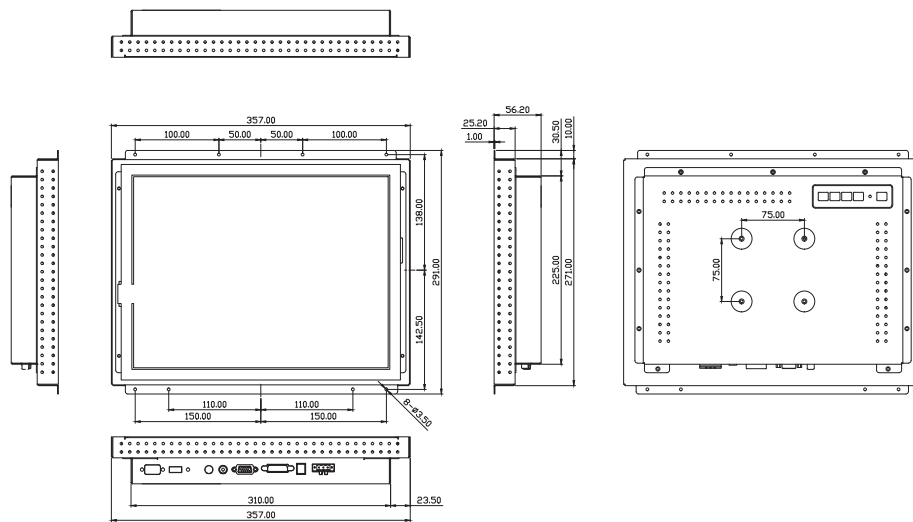
Model NO.	Description
OPD-1086B-02	8" SVGA open frame, VGA input, without touch, 12VDC power input with Adapter
OPD-1126-03	12.1" SVGA open frame, VGA input, without touch, 12VDC power input with Adapter
OPD-1156-03	15" XGA open frame, VGA input, without touch, 12VDC power input with Adapter

OPD-1086B



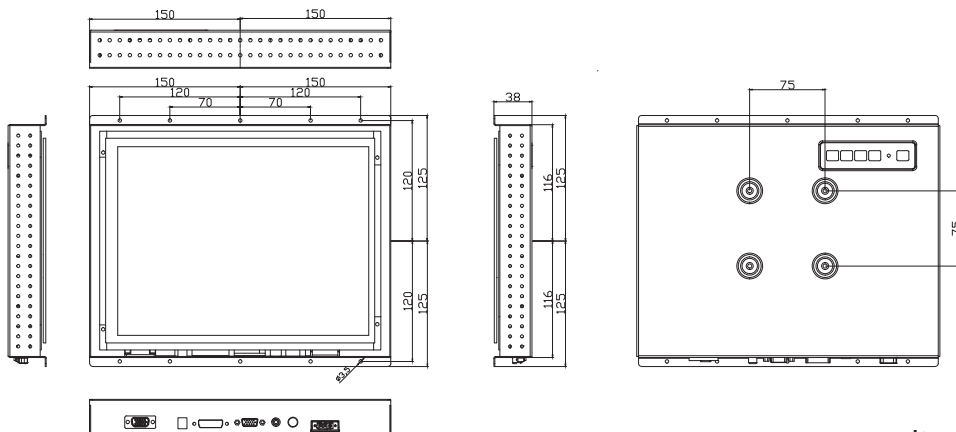
unit:mm

OPD-1156



unit:mm

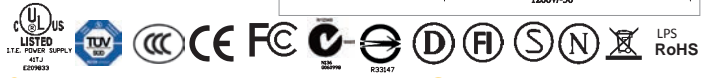
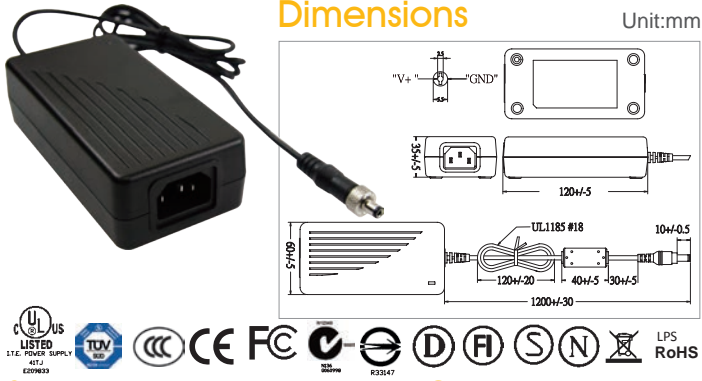
OPD-1126



unit:mm

Power Supply

EA1050 60W AC/DC Power Adapter



Specifications

- Input Voltage Range : 100-240 VAC +/- 10% full range
- Input Frequency: 47~63 Hz
- Output Voltage: 12V
- Output Current: 5A
- Output Watts: 60W
- Efficiency: 75%
- Operating Temperature: 0°C~40°C
- Storage Temperature: -20°C~85°C

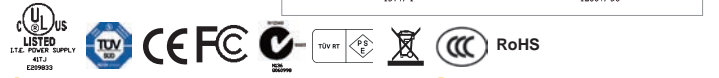
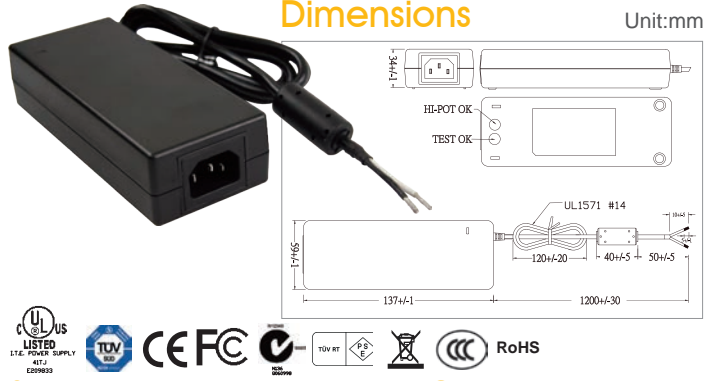
Connector Type



Ordering information

Part No.	Description
710901006000	60W AC/DC Power Adapter (Plug ID2.5 x OD5.5)
710901006001	60W AC/DC Power Adapter (2pin Soldered Wires)
670000000111	60W AC/DC Power Adapter (3pin Terminal Block)
677100000001	60W AC/DC Power Adapter (Plug with Lock Screw ID2.5 x OD5.5)

EA11001 120W AC/DC Power Adapter



Specifications

- Input Voltage Range : 100-240 VAC +/- 10% full range
- Input Frequency: 47~63 Hz
- Output Voltage: 19V
- Output Current: 6.3A
- Output Watts: 120W
- Efficiency: 85%
- Operating Temperature: 0°C~40°C
- Storage Temperature: -20°C~85°C

Connector Type



Ordering information

Part No.	Description
710901012000	120W AC/DC Power Adapter (2pin Soldered Wires)
670000000109	120W AC/DC Power Adapter (3pin Terminal Block)

EA11351 120W AC/DC Power Adapter



Specifications

- Input Voltage Range : 100-240 VAC +/- 10% full range
- Input Frequency: 47~63 Hz
- Output Voltage: 12V
- Output Current: 10A
- Output Watts: 120W
- Efficiency: 85%
- Operating Temperature: 0°C~40°C
- Storage Temperature: -20°C~85°C

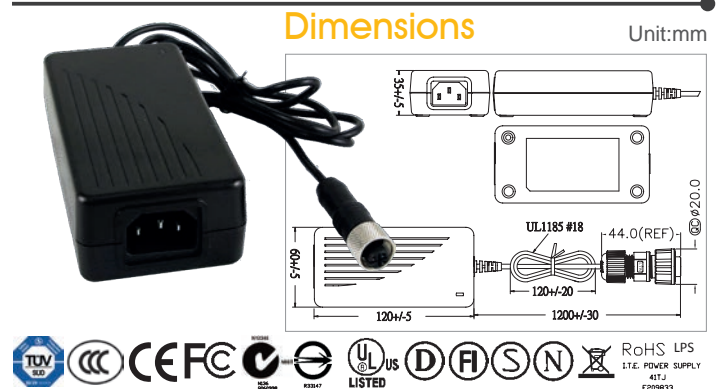
Connector Type



Ordering information

Part No.	Description
710902012002	120W AC/DC Power Adapter (Plug with Lock Screw ID2.5 x OD5.5)

IP65 Waterproof Connector EA1050 60W AC/DC Power Adapter EA10001 120W AC/DC Power Adapter



Specifications

- Input Voltage Range : 100-240 VAC +/- 10% full range
- Output Frequency: 47~63 Hz
- Output Voltage: EA1050:12V/EA10001:19V
- Output Current: EA1050:5A/EA10001:6.3A
- Output Watts: EA1050:60W/EA10001:120W
- Efficiency: EA1050:75%/EA10001:85%
- Operating Temperature: 0°C~40°C
- Storage Temperature: -20°C~85°C

Connector Type



Ordering information

Part No.	Description
677100000011	60W AC/DC Power Adapter (IP65 Waterproof Connector)
677100000013	120W AC/DC Power Adapter (IP65 Waterproof Connector)

Total IP65 Waterproof Power Supply

M12 Full IP65 Waterproof Connector

HLG-60H-24A 60W AC/DC Power Adapter



Specifications

- Input Voltage Range : 90~305V AC +/- 10% full range
- Input Frequency: 47~63 Hz
- Output Voltage: 24V
- Output Current: 2.5A
- Output Watts: 60W
- Efficiency: 89%
- Operating Temperature: -40°C~70°C
- Storage Temperature: -40°C~80°C

Connector Type



Ordering information

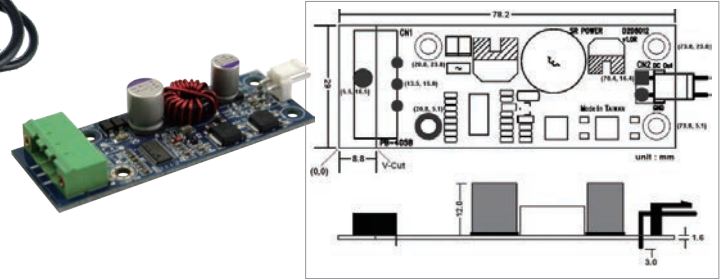
Part No.	Description
67250000291	AC90~305V IN/DC 24V OUT/60W/HLG-60H-24A/POWER CORD TYPE B (US type)
67250000293	AC90~305V IN/DC 24V OUT/60W/HLG-60H-24A/POWER CORD TYPE G (EU type)

Accessory Power Module

PB-405B DC/DC Power Module

Dimensions

Unit:mm



Specifications

- Wide range DC input 11~32V
- AT Mode
- Output (Max.) 12V@6.6A
- Max. total output : 80W
- Up to 95% Efficiency
- Dimensions:78.2mm x 29mm
- Operating Temperature: -20°C~60°C
- Storage Temperature: -40°C~70°C

Pin Assignments

Output Connector

CN2	Pin1	Pin2
	+12V	GND

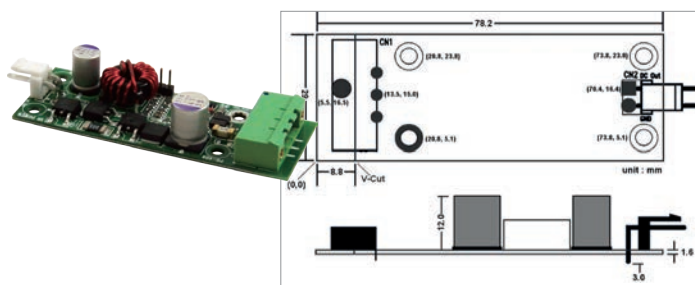
Ordering information

Part No.	Description
710602108003	PB-405B/80W DC/DC Power Module, DC input 11~32V

PB-409 DC/DC Power Module

Dimensions

Unit:mm



Specifications

- Wide range DC input 9~35V
- AT Mode
- Output (Max.) 12V@6.6A
- Max. total output : 80W
- Up to 92% Efficiency
- Dimensions:78.2mm x 29mm
- Operating Temperature: -20°C~60°C
- Storage Temperature: -40°C~70°C

Pin Assignments

Output Connector

CN2	Pin1	Pin2
	+12V	GND

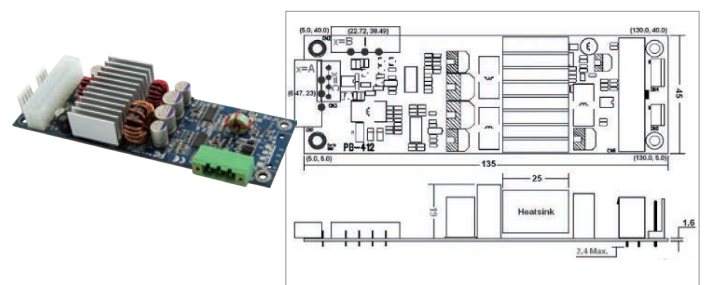
Ordering information

Part No.	Description
710602208006	PB-409/80W DC/DC Power Module, DC input 9~35V

PB-412 DC/DC Power Module

Dimensions

Unit:mm



Specifications

- Wide range DC input 11~32V
- AT Mode
- Output (Max.) 12V@6.6A
- Max. total output : 80W
- Up to 95% Efficiency
- Dimensions:78.2mm x 29mm
- Operating Temperature: -20°C~60°C
- Storage Temperature: -40°C~70°C

Pin Assignments

Output Connector

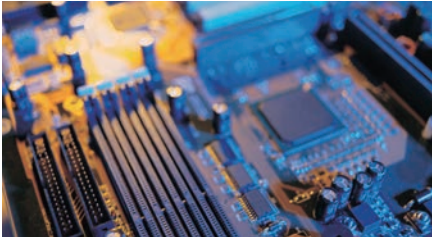
CN6	Standard 20Pin ATX
-----	--------------------

Ordering information

Part No.	Description
710602214417	PB-412A/140W DC/DC Power Module/DC input 11~32V
710602214416	PB-412B/140W DC/DC Power Module/DC input 11~32V

Industrial DRAM Module Series

Features



- Industrial Memory
- Temperature Ranges
 - Industrial Temperature: 0~70°C for operating
 - Extensive Temperature: -40~85°C for operating
- 100% Original DRAM IC
- High Reliability
- Lifetime Warranty

DDR3(L) Solution (Extensive Temperature)



SO-DIMM

Specifications

Item	Description	
SO-DIMM	DDR3 1066/1333	1GB
	DDR3 1066/1333/1600	2GB
	DDR3 1066/1333/1600	4GB
	DDR3 1600	8GB

DDR4 Solution (Extensive Temperature)



SO-DIMM

Specifications

Item	Description	
SO-DIMM	DDR4 2133/2166/2400	4GB
	DDR4 2133/2166/2400	8GB
	DDR4 2133/2166/2400	16GB

Accessory: Stand

D-100 Stand



Specifications

- Apply to 5.7" ~ 17" LCD monitor
- VESA75/100 stand
- Support up to 10kg
- Adjustable display angle
- White color
- Material: Heavy-duty steel
- RoHS compliant

Part No.	Description
900000001001	D-100 Stand

D-101 Stand



Specifications

- Apply to 5.7" ~ 15" LCD monitor
- VESA75/100 stand
- Support up to 7kg
- Adjustable display angle
- Black color
- Material: Plastic and steel
- RoHS compliant

Part No.	Description
900000001002	D-101 Stand

D-102 Stand



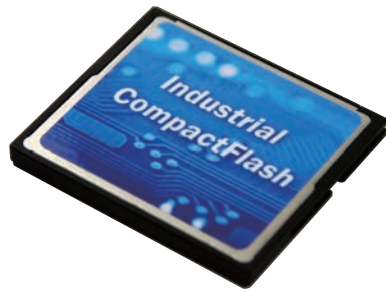
Specifications

- Apply to 5.7" ~ 24" LCD monitor
- VESA75/100 stand
- Support up to 15kg
- Adjustable display angle
- Black color
- Material: Heavy-duty steel
- RoHS compliant

Part No.	Description
660306001001	D-102 Stand

Flash Series

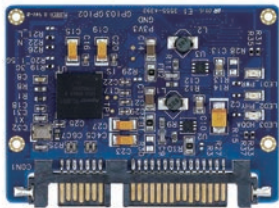
Industrial Compact Flash Series



Specifications

Capacities	2GB, 4GB, 8GB, 16GB
Interface	Compatible with Compact Flash standard Standard ATA/IDE Bus Interface/50pin Compact Flash
Data Transfer Mode	PIO mode 6, Multiword DMA mode 2, Ultra DMA mode 5
Data Transfer Rate	<ul style="list-style-type: none"> • SLC Flash: Sustain Read Speed up to 35MB/s and Write Speed up to 25MB/s • MLC Flash: Sustain Read Speed up to 33MB/s and Write Speed up to 15MB/s
Ranges Temperature	<ul style="list-style-type: none"> • Industrial Temperature: 0~70°C for operating • Extensive Temperature: -40~85°C for operating
Power Mode:	Auto Standby-by and sleep mode
Power Consumption:	210mA (max.)
Input Voltage:	3.3V~5.5V
Certificate:	RoHS/CE/FCC

1.8" Half Slim SATA SSD (MO-297)



Specifications

Capacities	8GB, 16GB, 32GB, 64GB
Interface	Standard Serial ATA 2.6, 7+15 pin male
Flash type	MLC/SLC
Dimensions (mm):	54 x 39.5 x 4
Operation Temperature	Standard: 0°C to 70°C Extended: -40 ~ +85°C (for SLC type only)
Performance	MLC type read/write: 135/80 MB/sec, SLC type 165/150 MB/sec

Industrial Flash SSD Series



Specifications

Series	SSD Flash Module-SLC	SSD Flash Module-MLC
Interface	SATA 3 GB/s	SATA 3 GB/s
Connector	7+15 pin male	7+15 pin male
Physical Form Factor (Inch)	2.5"	2.5"
Flash type	SLC	MLC
Capacity	8G, 16G, 32GB, 64GB, 128G	32GB, 64GB, 128G
Max. R/W Performance (MB/sec)	230/175	155/100
ECC Support	16 or 24 bit/1K Bytes	16 or 24 bit/1K Bytes
Standard Operation Temperature	0~70°C	0~70°C
Extensive Operation Temperature	-40~85°C	x
Shock	1500G	1500G
Vibration	15G	15G
Humidity	5%~95%	5%~95%
MTBF (Hours)	>2,000,000	>1,000,000
Dimensions (mm)	100(L) x 69.8(W) x 9.3(H)	100(L) x 69.8(W) x 9.3(H)
Certificate:	RoHS/CE/FCC	RoHS/CE/FCC



Your Best Choice
Industrial PCs Solutions



APLEX Headquarters

15F-1, No. 186, Jian Yi Road, Zhonghe
Dist., New Taipei City, 235 Taiwan
Tel: +886-2-82262881
Fax: +886-2-82262883
E-mail: sales@aplex.com

APLEX (ShenZhen)

501-5B01, Xintianxia phase 2 building,
Wankecheng community, Bantian township,
Longgang district, Shenzhen City, China
Tel: +86-755-2664-7540/41/42-113,
Fax: +86-755-2664-8326
E-mail: sales@aplex.com.cn

APLEX (USA)

2065 Martin Ave., Suite 107 Santa
Clara, CA 95050
Tel: +1-669-999-2500
Fax: +1-669-999-2499
E-mail: sales@aplextec.com

All products and company names listed are trademarks or trade names of their respective companies.
All specifications are subject to change without further notice.

