

IFC-BOX-NS14

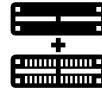
12th Gen Intel Alder Lake-N Series N100 Quad-Core Processor



Features:



All-aluminum alloy structure, fanless cooling design



1xM.2 slot + 1x Mini PCIe slot
(support SSD +WIFI/4G at the same time)



2xHDMI+1xVGA,synchronous/asynchronous triple display

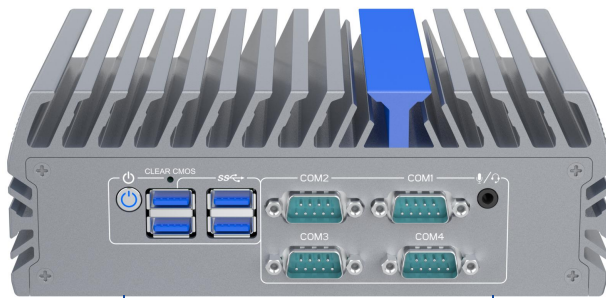


Multi-LAN

2xRTL8111H Gigabit



4xCOM(2xRS232/485optional)

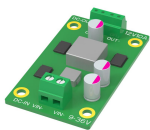


POWER USB3.0x4 COMx4 AUDIO

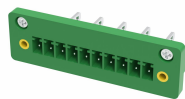


ANT USB2.0 LANx2 HDMix2 VGA DC IN ANT

Optional extensions



9 ~ 36V
Wide voltage power module



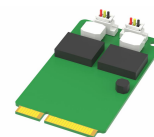
GPIO
(4 in 4 out)



4G module



WIFI/BT module



CAN



COM

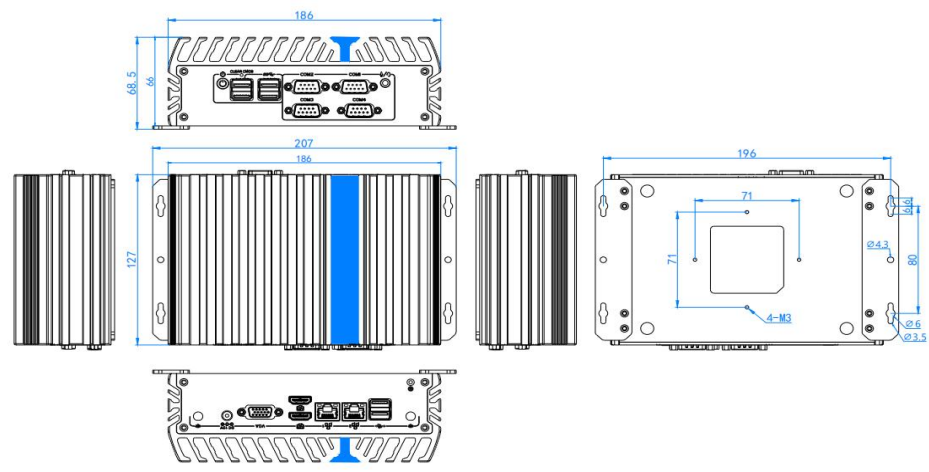
Specification

Parameter	
Processor	Intel N100 (4 core 4 threads, Turbo 3.4 GHz)
Chipset	Alder Lake-N
Memory	1xDDR4 3200MHz SODIMM, max 16 GB
Graphics Card	
Graphics	Intel(R) UHD Graphics
Display	2xHDMI (Resolution 4096 x 2160 @ 60Hz)
	1xVGA (Resolution 1920 x 1080 @ 60Hz)
Network	
Lan Port	2x RTL8111H Gigabit
I/O	
USB	4xUSB 3.0, 2xUSB2.0
COM	4xCOM (COM1/2, RS232/485 optional)
Audio	1xLine-out / Mic Two-in-one
Power Supply	
Power supply	1xDC(5.5*2.5mm), support 12V input

Storage	
M.2	1xM.2 2280 M-key slot (support SATA & PCIE3.0X1 NVME)
SATA	1x2.5 inch HDD
Expansion	
Mini PCIe	1xfull-length Mini PCIe slot (support PCIE & USB2.0 signal, 4G/WIFI/Bluetooth optional), internal Nano-SIM card slot
Dimension	
Size	186x127x66 mm
Weight	1.36 kg
Installation	VESA, Wall mount, DIN-rail(optional)
Environment	
Temperature	-20℃~ +50℃, Surface air flow
Humidity	5%~95% Non-condensing state
Other Function	
Power-on, Timing boot, Wake on LAN, PXE boot, watchdog (level 0-255), TPM2.0 security encryption	
Application	
Industrial Automation, Medical, Logistics & Transportation, Warehousing, e-education and other fields.	

Drawing

Unit: mm



Order Information

Configuration	Specs
1	Intel N100, 2xLAN/4xCOM/6xUSB

Packing List

Name	Quantity	Note
Power adapter	1	12V 4A/12V 5A optional
Power cable	1	CN, US, UK, EU, etc
VESA	1	Standard